

Accentra Pellet Insert

Installation into Zero Clearance Wood Fireplaces

1-00-674205



Contents:

- | | | |
|----|---------------------------|----------------|
| 1. | 36" of 24 gauge wire | 0-88-886013 |
| 2. | HWH TEK 10 x 3/4 | 3-30-511007517 |
| 3. | Flue insulation | 3-44-674205 |
| 4. | Installation instructions | 3-89-674205 |
| 5. | Modification label | 3-90-674204 |

Accentra Pellet Insert Installation into Zero Clearance Wood Fireplaces

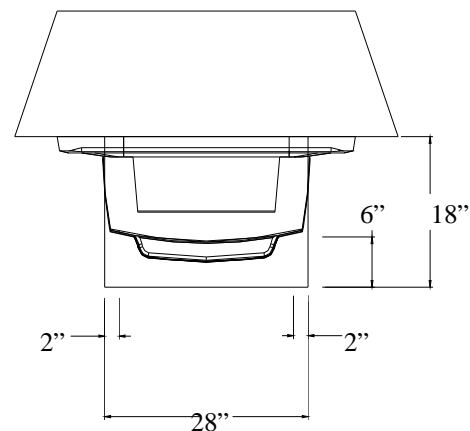
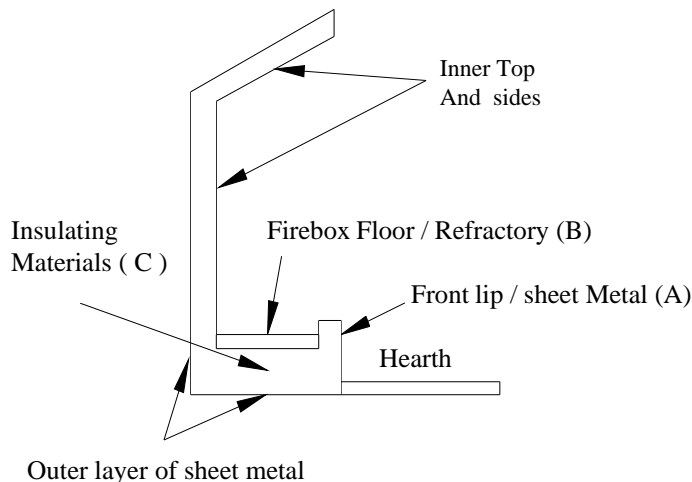


When installing into a zero clearance wood fireplace you must use kit 1-00-674205. This includes insulation material that is required on the vent pipe inside of the cabinet area and a label stating that the unit has been modified and cannot be used as it was originally designed.

Remove any accessories from the fireplace and thoroughly clean the flue passage and firebox area.

Most zero clearance installations have a raised firebox floor that is higher than the hearth. One option requires building the hearth area in front of the firebox up to the same level as the firebox floor. The second option is to lower the firebox floor by removing sheet metal (A), refractory (B), and insulating materials (C), along with the front lip. Remove the fasteners that are holding the inner panels together or cut them down to the outermost layer of sheet metal at the bottom. The existing inner sides and inner top must be left intact. After modifying the zero clearance cabinet, you must mount the modification warning label inside the firebox with the supplied screw.

The minimum amount of non-combustible floor protection (hearth area) needed is at least 24 gauge sheet metal. It must be located against the front edge of the zero clearance cabinet and extend 6" in front of the pellet stove glass and 2" past each side of the firebox, 28" x 18" minimum.



Minimum required floor protection

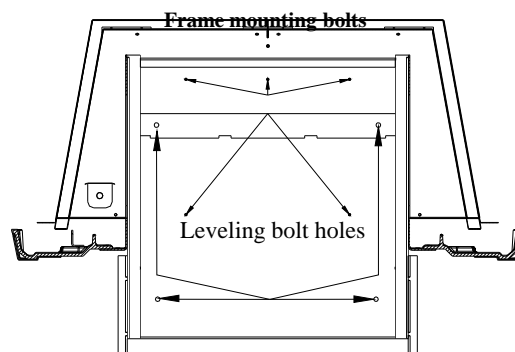
After removing the firebox floor of the zero clearance fireplace (leaving outer cabinet housing intact), the new floor should be checked for correct height. The new finished height of the fireplace floor should be level with the hearth. If the fireplace floor is too low, the installer can only use non-combustible materials to raise the stove mounting frame. Any shimming needs to be positioned beneath the frame leveling bolt areas.

Attach the wings along with flue tailpipe and gasket (and outside air, if used) onto insert mounting frame and temporarily install into opening. Lay the ash lip onto the frame rails to confirm proper hearth height. If the ash lip to hearth clearance needs set or stove frame needs leveled, install leveling bolts into frame floor and correct as necessary.

When mounting is correct, the insert mounting frame should be secured through the floor by using lag bolts or screws. Remove the ash lip and connect the flue, (along with outside air pipe, if used) to their tailpipes. Type PL vent, type L vent, and flex pipe approved for pellet stoves are allowed for this installation. Flex pipe may only be used on flue if running vertically.

The flue pipe may stop one foot inside the existing chimney and be sealed with non-combustible materials. It is preferred that the flue runs to the top of the existing chimney to help avoid possible performance issues. Wrap the insulation material provided in the kit around the exhaust pipe located inside the cabinet and wire fast. Start where the flue pipe connects to the mounting frame. You must use the full length of the flue insulation. It can be cut to size if the distance to the top of the firebox is less than the size of the insulation.

See owners manual for guidance to complete installation.



Alternate venting method and outside air connection

The Harman direct vent wall pass thru (1-00-677077) may be used to vent the Accentra insert directly outside if the zero clearance unit is located on an exterior wall. Installation will require using zero clearance kit 1-00-674205 along with the direct vent wall pass thru kit (1-00-677077) and the 3" stub pipe kit (1-00-674039) for 3" pellet pipe.

The stove will need an outside air kit (1-00-674080) installed to finish the connection.

The thickness from the firebox inner wall to the surface of the exterior wall may not be under 4.5" or go above 10.625". This is the range the direct vent wall pass thru is designed to fit. Flexible flue pipe may not be used with the direct vent wall pass thru. Only PL vent with 3" or less clearance rating is allowed.

The existing chimney on the zero clearance cabinet must be sealed if using the direct vent wall pass thru.

Insulation supplied in the zero clearance kit must be cut to length for vertical and horizontal run of PL type vent pipe. Use the wire in the kit to hold the insulation onto the pipe.

Connecting only outside air through rear of cabinet

The exhaust venting may be run through the existing flue with the outside air being routed through the back wall of the zero clearance cabinet. The air pipe must be sealed where it passes through the cabinet and the outer wall. A flexible pipe suitable for the connection is available through your Harman dealer (2-00-08543).

An inlet cover for the pipe is required to keep birds, rodents, etc., out of the airway. This is available from your Harman dealer (1-10-08542).

The stove will need an outside air kit (1-00-674080) installed to finish the connection.

Optional Electrical Connection



When installing an electrical box inside the cabinet, it may be done on the **left front corner only**, beside the stove mounting frame and near the opening of the zero clearance cabinet. See picture below.

The installer can only use a metal handy box with a metal receptacle cover. The power line must be installed according to any local electrical codes where piercing through cabinet walls is required. The power line shall enter the left side within 6" of the opening and the cabinet floor and go into the handy box. It can also run from the right side of the cabinet within 6" of the opening and the cabinet floor. It must be ty-wrapped and routed over the top of the stove frame, following the original stove cord mounting. The power line and the stove cord may not be run around the back of the ZC cabinet or stove mounting frame. The stove cord must be ty-wrapped and secured near the handy box. Be sure to follow all local electrical codes.

