

INSTALLATION INSTRUCTIONS

STOVE LEGS

Defiant® Vigilant® Resolute® Intrepid®

VERMONT CASTINGS



READ THESE INSTRUCTIONS AND SAVE THEM FOR FUTURE REFERENCE. 6/86 #22735A

Before installing the stove legs, place the stove close to its final position. **DO NOT TRY TO MOVE THE STOVE ALONE AS IT CAN BE DAMAGED BY MISHANDLING.** To lighten your stove, remove the contents from inside: accessories, screen, shovel, legs, coal magazine and manuals. Also remove such parts as the griddle, loading doors and front doors. Porcelain-Enamel stoves require care in handling. After positioning the stove, use a piece of cardboard or a drop cloth to cushion the top and bottom stove plates when you tilt the stove to install the legs.

If you are installing single or double bottom heat shields, follow the instructions found in their hardware packages. Remember that bottom heat shields must be used with short legs unless the stove is being installed on a concrete or masonry floor that contains no combustible supports or framing members.

The Handle Holder provides a convenient storage location for the removable insert handle when it is not in use. The Handle Holder is used in place of the washer under the head of the leg bolt for the right front leg.

The only tool required for the installation of the standard or short legs is a 9/16" wrench and a screwdriver.

MATERIALS PROVIDED:

Standard Legs

- (4) Legs
- (4) Leg Bolts
 - (A) 3/8" x 1" gold color (Defiant, Resolute, Intrepid)
 - (B) 3/8" x 1 1/4" silver color (Vigilant)
- (3) Washers
- (1) Handle Holder (in lieu of washer on right front leg)

OR

Short (3") Legs

- (4) 3" Legs
- (4) Leg Bolts
 - (A) 3/8" x 1" gold color (Defiant, Resolute, Intrepid)
 - (B) 3/8" x 1 1/4" silver color (Vigilant)
- (3) Washers
- (1) Handle Holder (in lieu of washer on right front leg)
- (4) 3/8" x 1 1/2" Black Leveling Bolt

PROCEDURE:

1.) DEFIANT/VIGILANT:

There is a wooden block wedged inside the stove to hold the damper during shipment. Leave this block in place until after the legs are installed.

2.) DEFIANT/VIGILANT/RESOLUTE:

Slowly tilt the stove forward over the ashlip until the top plate is resting on the floor.

INTREPID:

Slowly tilt the stove onto its **back**. Use the shipping pallet or a block of wood to support the bottom plate.

- 3.) For protection during shipment, we have installed 1/2" screws in the leg bolt holes. Remove the 1/2" screws and discard them. Use the appropriate leg bolts to attach the legs.

* For the right front leg, use the Handle Holder instead of a washer under the head of the leg bolt. Pass the bolt through the Handle Holder and the leg, and thread the bolt into the bottom of the stove. Secure the bolt with a minimum of three full turns.

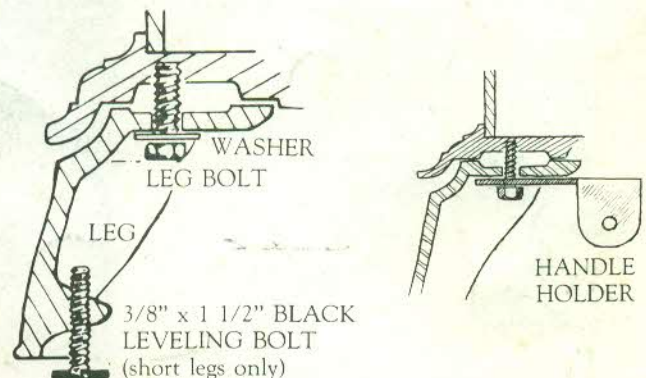
CAUTION: Overtightening the bolt can strip the threads.

* For the other three legs, use washers under the heads of the leg bolts.

Be certain that the base of the leg is engaged within the locating tabs cast into the bottom plate of the stove.

- 4.) **SHORT LEGS ONLY:** Screw the **BLACK** leveling bolts all the way into the threaded hole in the base of each stove leg. With assistance, lift the stove carefully into an upright position on the hearth, then adjust the leveling bolts, if necessary.

- 5.) As part of your yearly stove maintenance program, check to see that the leg bolts are secure.



STOVE VIEWED FROM RIGHT SIDE

Vermont Castings
Prince Street
Randolph, Vermont 05060