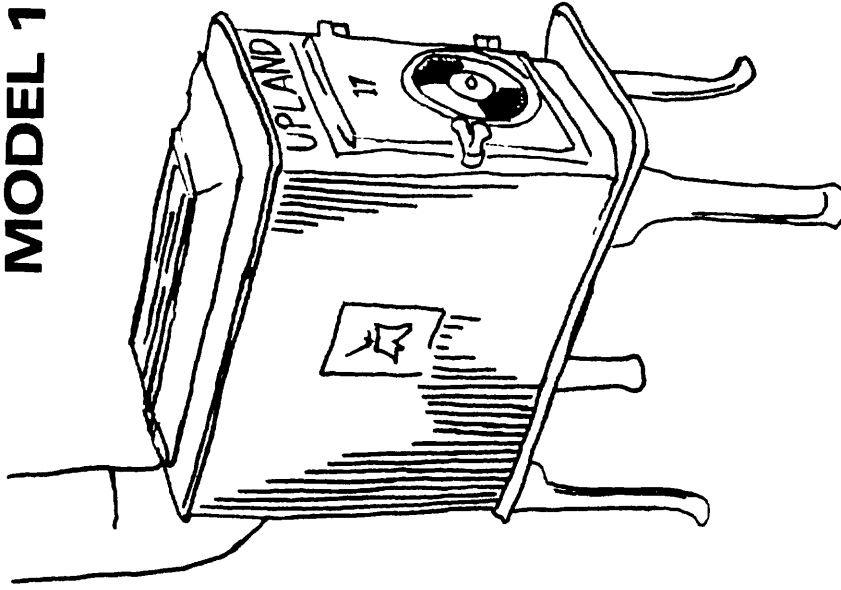
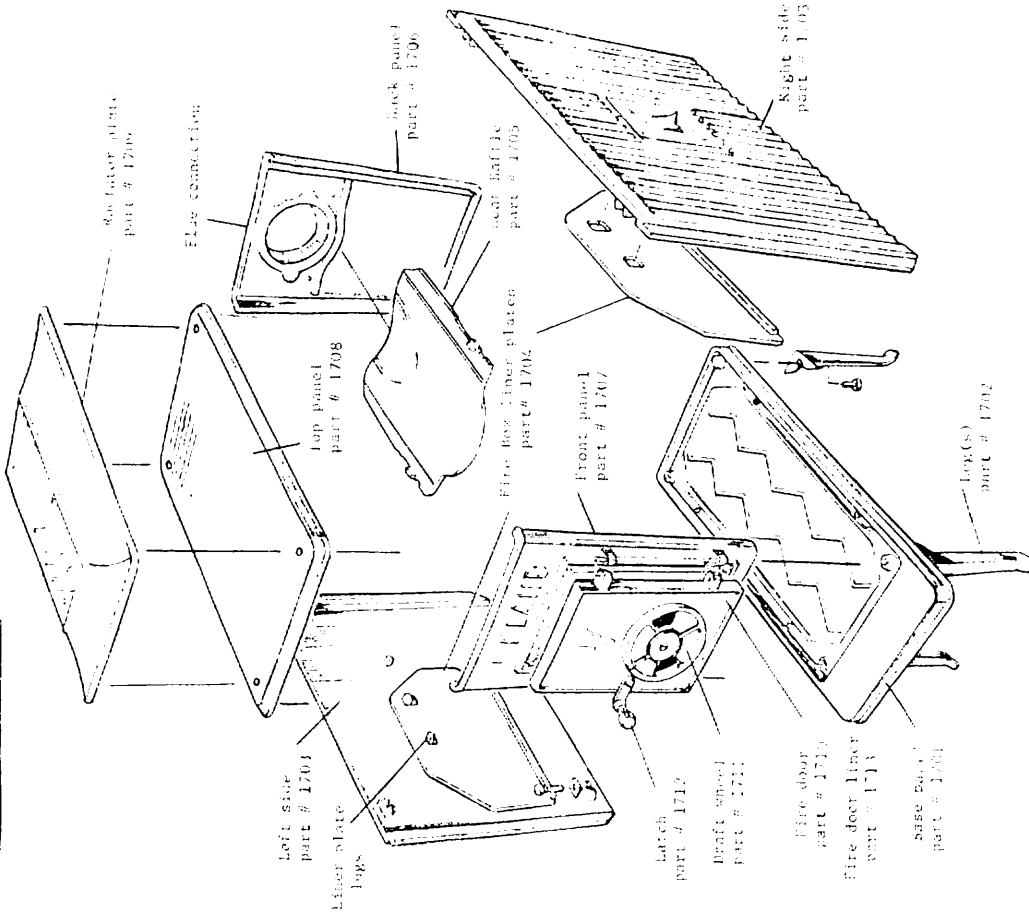


UPLAND MODEL 17

**OWNER'S MANUAL
#1725**



UPLAND STOVE # 17
components



raft

t of
w load

p
ue

e
p

3

PARTS LIST

SPECIFICATIONS

1	Stove Assembly	TYPE: "Airtight" cast iron
4	1702 (Legs)	HEIGHT: 27 inch
4	1/4 x 20 x 1 inch hex head bolts	WIDTH: 12.5 inch
4	1/4 inch washers	LENGTH: 21.75 inch
2	1704 Fire box liner plates	SHIPPING WEIGHT: 125 lbs.
1	1705 Baffle	FINISH: 1100° flat black
1	1709 Radiator plate	FUEL: Seasoned hardwood 16" long
1	1715 Stove hoe	HEATING CAPACITY: 4700 cu. ft. (27,000 BTU) PIPE SIZE: 5" 26 Ga.

*** READ ALL INSTRUCTIONS THOROUGHLY BEFORE ATTEMPTING ANY INSTALLATION**

ASSEMBLY INSTRUCTIONS

1. Remove the stove and parts from the carton and check for any damage that may have occurred in shipping. Check the parts against the parts list to make sure that all the parts needed to assemble the stove are included.
2. Turn the stove upside down and install the legs (Part # 1702) with the bolts and washers provided. Tighten the bolts snugly but do not over tighten.
3. Set the stove upright on its legs and hang the two fire box liner plates (Part # 1704) on the two forward lugs of the sides as shown in the parts diagram. The squared edge should be facing the front of the stove.
4. Next place the heat baffle (Part # 1705) on top of the lugs and between the two liner plates. The rear edge of the baffle should be all the way to the rear of the stove, and just under the flue outlet.

5. Place the radiator plate (Part # 1709) on the four locator holes on the top of the stove.

Your stove is now ready for installation.

INSTALLATION

THIS STOVE SHOULD BE BURNED FOR THE FIRST TIME IN A WELL VENTILATED AREA BECAUSE OF THE UNPLEASANT ODORS THAT ARE GIVEN OFF DURING THE CURING OF THE PAINT!!!

CHIMNEYS:

Woodstoves can be attached to existing masonry chimneys if they are not already being used by another appliance. An existing chimney should be thoroughly inspected for cracks or loose mortar. Many local fire companies will inspect your chimney free of charge. Any defects in the chimney should be repaired before using the woodstove. The chimney should also be cleaned of any soot build up that could cause a chimney fire. Any new masonry chimneys should be installed by a professional who has knowledge and experience in chimney installations. It is not a job for a novice.

There are several prefabricated chimneys on the market at the present time. This type of chimney should be installed according to your dealers and pipe manufacturers specifications.

INTERIOR INSTALLATION:

The Upland Model 17 is designed for installation with the crimped end of stovepipe inserted inside of the stove collar. The pipe joints should run towards the stove rather than towards the chimney. This is to keep any residue from running out of the pipe on to the floor.

Locate the stove where it will distribute the maximum amount of radiant and convected heat. There must be a clearance of 30 inches from any combustible surface. If the floor that the stove is placed on is not made of stone or brick, an approved asbestos and sheet metal panel must be used under the stove. The panel should extend at least 18 inches in front of the stove and at least 12 inches beyond the sides and the back. If a steel plate is to be used it should be 24 gauge or thicker.

The stove may be placed closer to a wall ONLY if an approved non-combustible material is installed on the wall in compliance with building and fire regulations.

Install at all adjustable

INSTALL AND FIRE your top

OPERATIO

BURN MEL

not a tr

THIS STO

HAVE ENO

DO NOT U

KEEP ALL

THIS NEVER PO

Cast

The 17 i

When use

cost. V

fire for

performa

inherent

designed

The heat

causes t

limiting

causing

This con

gases wi

more com

1. Before 1

with a 2

must be i

The mode

"spits" of the s

2. Make a s

Install the flue pipe with sheet metal screws at the stove collar and at all joints. Use only approved stove pipe. Elbows should not be adjustable, use seamless elbows only.

INSTALLATION OF THIS STOVE MUST BE IN COMPLIANCE WITH LOCAL BUILDING AND FIRE CODES. Copies of these regulations are available through your local fire departments.

OPERATION

BURN WELL SEASONED HARDWOODS ONLY. This stove is a heating appliance, not a trash burner!

THIS STOVE MUST BE OPERATED IN AN UNSEALED ROOM. IT IS NECESSARY TO HAVE ENOUGH AIR ENTERING THE ROOM TO SUPPLY THE DRAFT OF THE FIRE.

DO NOT USE FLAMABLE LIQUIDS TO START FIRE.

KEEP ALL COMBUSTABLE MATERIAL AT LEAST 30 INCHES FROM THE STOVE.

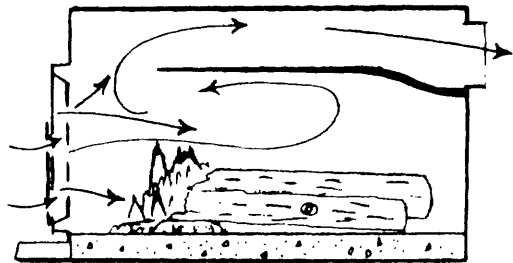
This includes wood to be burned in the stove.

NEVER POUR COLD WATER ON A HOT STOVE.

Cast iron may break when subjected to sudden temperature changes.

The 17 is "airtight" making control of heat output an easy task. When used correctly, this stove will provide ample heat at a minimum cost. Very little effort is required to maintain a dependable, even fire for as long as ten hours on one load of wood. This exceptional performance is due in part to the high degree of heat retention inherent in the cast iron. It is also due to the scientifically designed heat baffle system incorporated in the model 17.

The heat baffle system in the model 17 causes the gases to flow in an "S" pattern, limiting heat loss up the flue pipe and causing the wood to burn from front to back. This controlled flow pattern mixes unburned gases with preheated fresh air, aiding in a more complete combustion.



1. Before lighting your first fire, cover the bottom of the firebox with a 2 inch layer of sand or wood ash. This protective layer must be maintained at all times during the operation of the stove. The model 17 has been designed to accept four standard firebrick "splits". These may be placed in the bottom of the stove in place of the sand or ashes.
2. Make a small fire of kindling and paper in the front of the firebox.

3. When the kindling fire has begun to burn well, place the larger firewood on top of the fire. Leave the firedoor partly open until the wood begins to burn well.
4. When the wood is burning well, close the door and adjust the draft to the required heating level.
5. After the fire is reduced to coals, pull the coals to the front of the firebox using the hoe provided with the stove. Place a new load of wood in the firebox and allow it to light before completely closing the door.

MAINTENANCE

Proper maintenance is essential to the long life and efficient burning of your model 17. After the heating season, the stove should be thoroughly cleaned and the paint should be touched up to prevent rust while the stove is not in use. DeRusto Barbeque Black can be used to touch up paint. When properly maintained this stove should last a lifetime.

Maintenance of the stovepipe and flue are essential for safe operation while the stove is in use. They must be cleaned at periodic intervals that will be determined by the type of wood that is used. When first operating the stove, check the inside of the pipe every two to three weeks to insure that the buildup on the pipe walls is not getting to thick.

MANUFACTURED BY:
Upland Stove Co., Inc.
P.O. Box 87
Greene, New York 13778