

TIMBERLAND® FIREPLACE FURNACE

IMPORTANT

Handwritten signature or initials

INSTALLATION INSTRUCTIONS

Congratulations, you have selected one of the finest, most efficient woodburning fireplaces on the market today. You have some options of installation such as all masonry (Brick or Stone), masonry using a metal chimney, masonry using a metal chimney with exterior wood and chase or masonry with masonry chimney with exterior wood and chase.

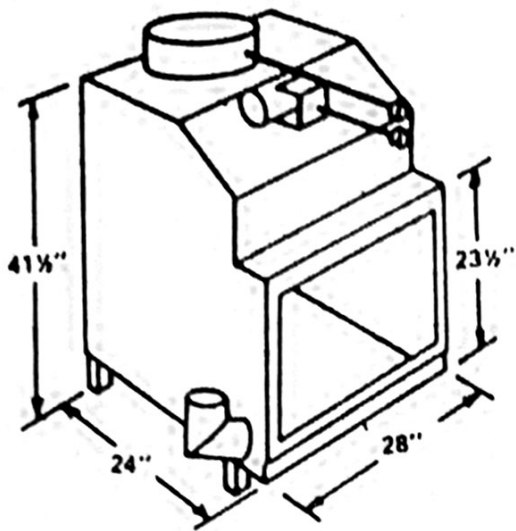
Decide the kind of chimney you are going to use, masonry or metal. Order the proper flue connector pipe for the type of chimney you wish to build. Masonry uses a clay flue or you may use a listed low heat appliance chimney (Class A).

On an outside installation if you do not want brick or stone on the outside you may choose to use siding as is used on your house. In this case use another wall of 4" block instead of brick, leaving a minimum of two inches between the walls. Fill this area with fiberglass insulation. Strip the walls with furring strips. Side the outside of your fireplace, building a wood chase to enclose the chimney. If using a metal chimney support the chimney per manufacturer's instructions. When a wood chase is used you may also use a clay flue wrapping it with 4" block instead of brick. Have your local tin shop make a cover for the chase to prevent water from getting in.

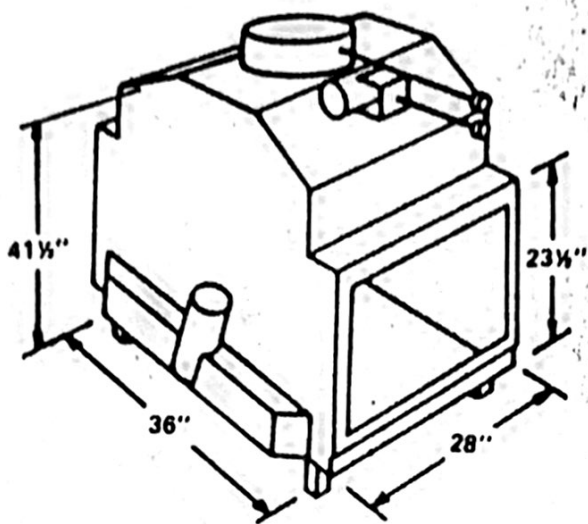
Installation Instructions for the Timberland Fireplace

1. Pour proper footings and base for fireplace to set on.
2. If ash dump is used, form hole before you pour concrete for the fireplace base.
3. Set fireplace and level.
4. Install thermostat per instructions in box.
5. Install fresh air duct using 28 GA. galvanized pipe and elbows. See letter I. Use a dryer vent on **outside** of house or fireplace wall for neat appearance. Remove the door from vent and cover with a screen. Fasten all air intake pipes together with sheet metal screws or pop rivets. See figure 3.
6. Build walls out of 4" solid lightweight block maintaining **proper inside clearance across the front and 2" min. from the rear of fireplace.** See figures 1 and 3.
7. Install flue connector pipe, cutting to proper length if necessary. Optional flue connector pipes are available, including offset pipes for both metal and masonry chimneys. (12" offset is standard with 30 degree maximum angle and 34" rise).
8. Install room air intake grill.
9. Install brick or stone using lintel on recessed area for front. Maintain a minimum of 1/4" clearance between masonry and fireplace on your face brick or stone. Wrap complete lintel with a thin layer of fiberglass (ends also) so lintel does not contact unit or masonry.
10. This unit requires two 4" walls of masonry on all sides except face of unit. **Do not use any combustible products on face of fireplace.**
11. Do not let the brick or stone extend beyond the line marked **BRICKLINE** as this is recessed so the doors fit properly.
12. Install corrugated decking and lintel to pour reinforced concrete shelf to support chimney. Maintain a minimum of 11" between top of hot air grill and finished ceiling. See figures 4, 5, and 6.
13. Pour reinforced concrete shelf per drawing to support chimney.
14. Remove temporary supports leaving the corrugated decking and lintel in place.
15. Structural design detail of masonry structure surrounding **TIMBERLAND FIREPLACE** must be submitted to local building official.
16. Use caution when bricking around thermostat and chimney damper rods (sleeves provided in thermostat box) so they work free after masonry work is completed.
17. Install hot air grill so it is **removeable** with the fins pointing **upward**.
18. On an outside installation leave a minimum of 2" between block and brick. Fill this with fiberglass insulation. NOTE: Insulate lower foundation area also.
19. Hearth extensions: minimum of 3/4" noncombustible material installed according to local building code with a minimum of 16" in front of opening and at least 8" beyond each side of opening.
20. Ceiling above top grill must be a minimum of 1/2" noncombustible material extending from the face of the fireplace 2 feet, and 3 feet to each side of the center of grill.
21. Cut damper and thermostat rods to about 7/8" extending beyond face brick. Use a file to flatten a spot on bottom of rods when damper is open. (Counter clockwise is open.)
22. Install firebrick per instructions in boxes.
23. Install doors per instructions in box. CAUTION: Acid or brick cleaners will damage your door finish. Always clean masonry before doors are installed.
24. An optional screen is available. If you desire to burn your fireplace with the doors open, this screen is recommended.

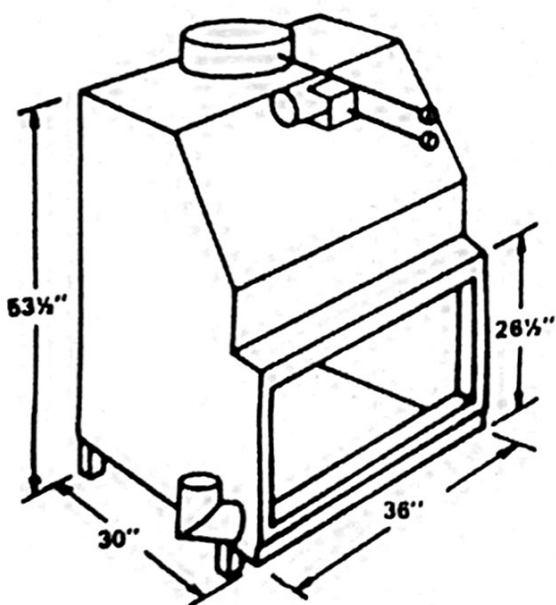
M-28" SINGLE



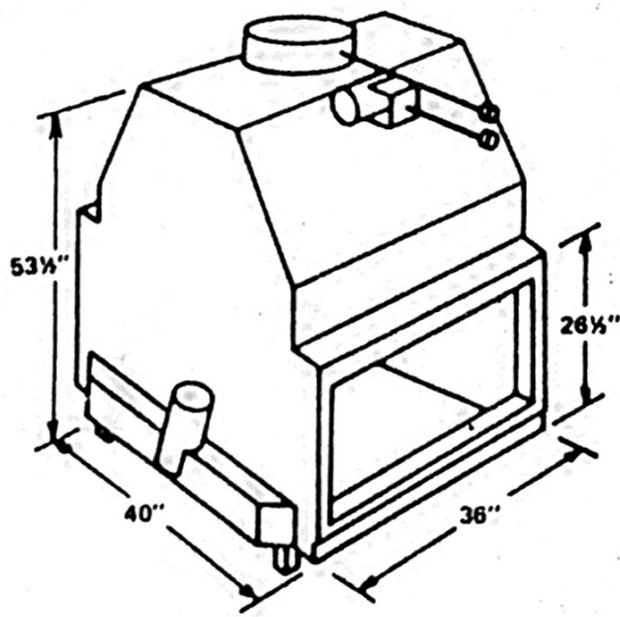
DM-28" DOUBLE



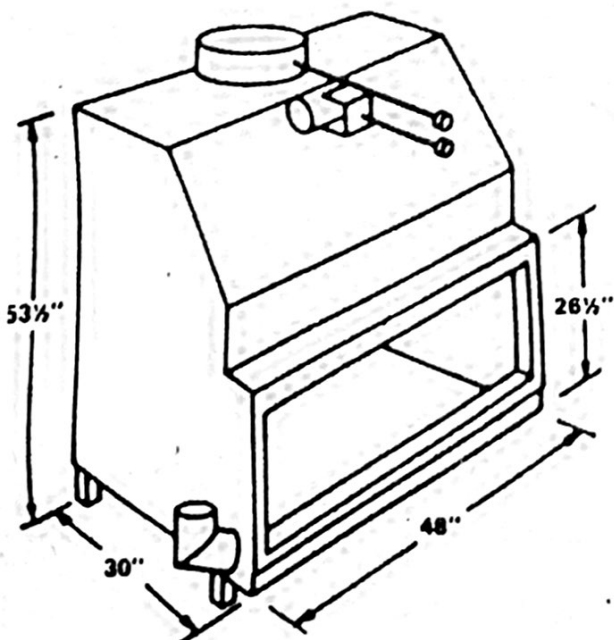
M-36" SINGLE



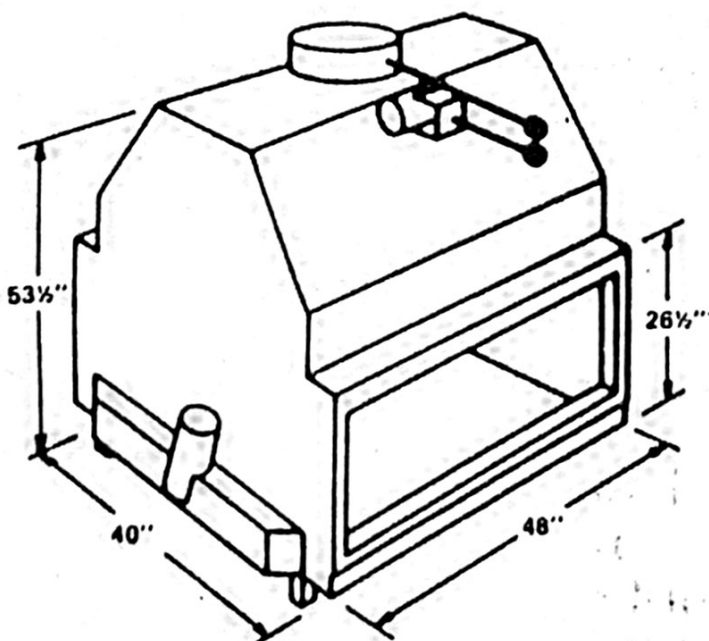
DM-36" DOUBLE



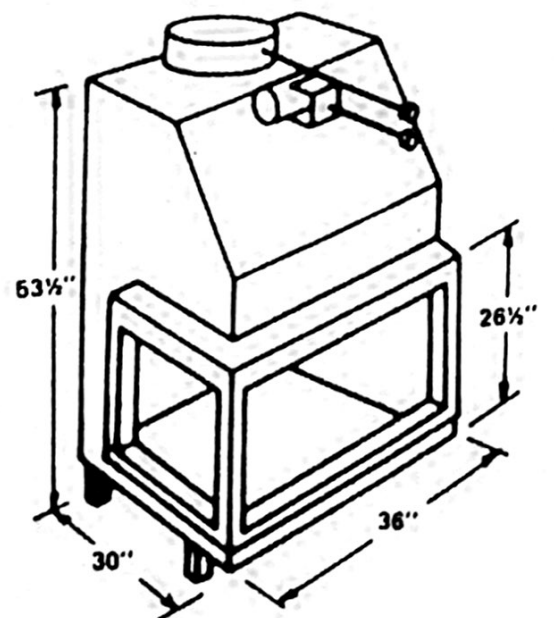
M-48" SINGLE



DM-48" DOUBLE



**LH-RH 36" CORNER
(Right or Left)**



DIMENSIONS

FIG. 1
Sideview
All Masonry Construction

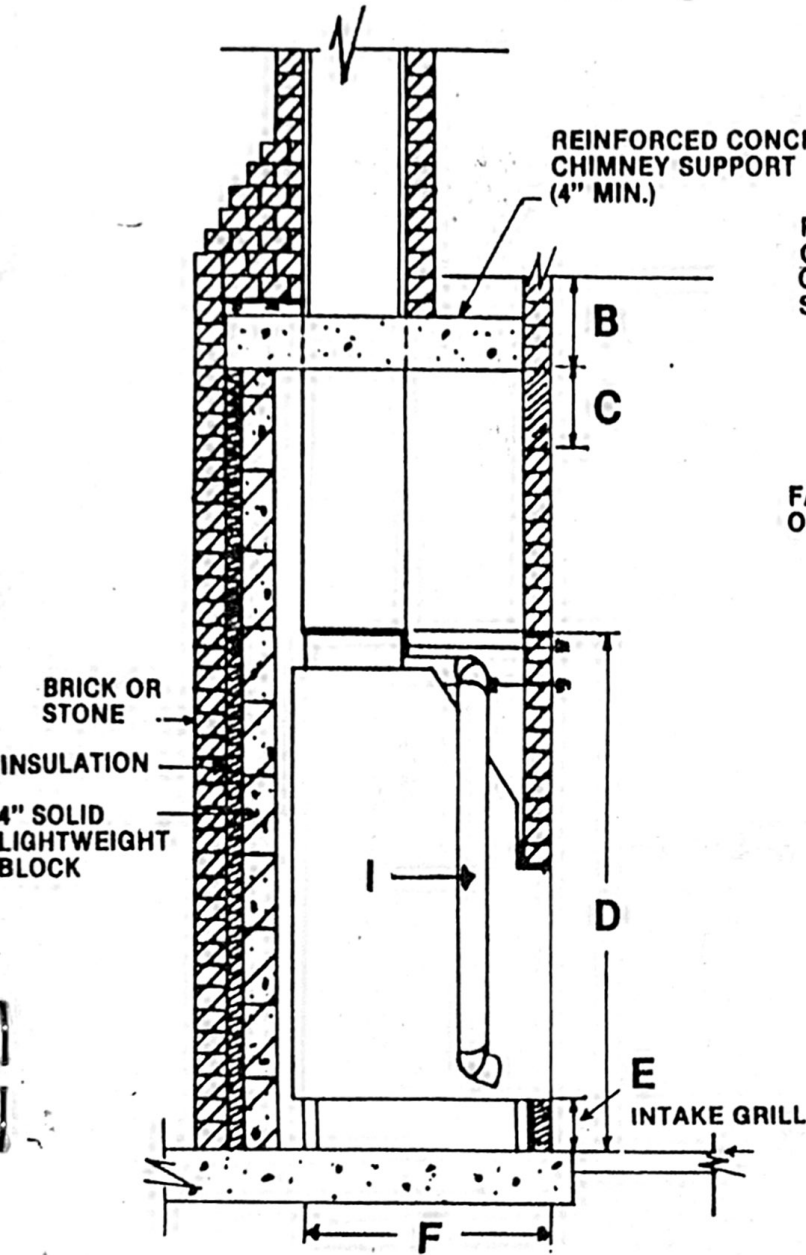
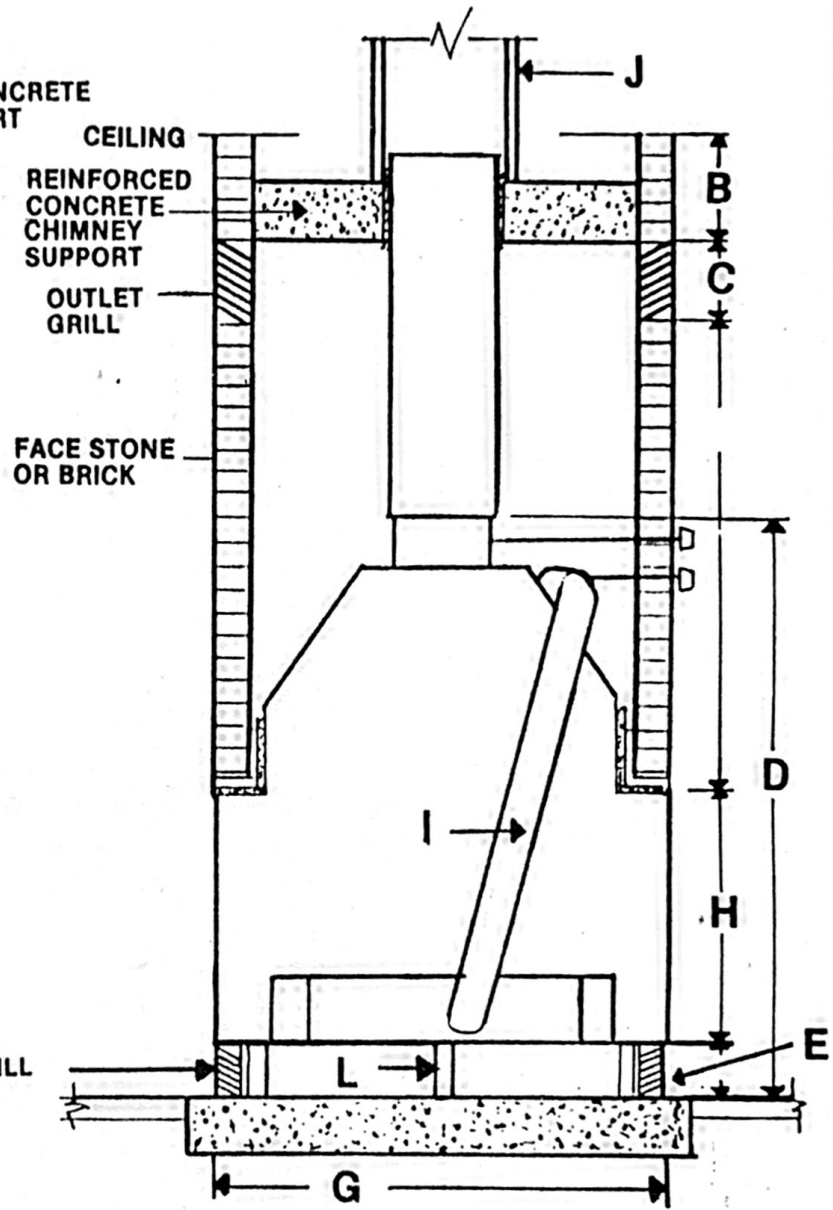


FIG. 2
Sideview



| MODEL | A | B | C | D | E | F | G | H | I | J | K |
|----------|----|----|--------|--------|-------|----|----|--------|---|---------|----|
| M-28 | 40 | 11 | 10 5/8 | 45 3/4 | 5 1/2 | 24 | | 23 1/2 | 4 | 12 x 12 | 24 |
| 36 | 48 | 11 | 10 5/8 | 57 | 5 1/2 | 30 | | 26 1/2 | 4 | 12 x 16 | 38 |
| 48 | 60 | 11 | 10 5/8 | 57 | 5 1/2 | 30 | | 26 1/2 | 5 | 12 x 16 | 57 |
| DM-28 | 40 | 11 | 10 5/8 | 45 3/4 | 5 1/2 | | 36 | 23 1/2 | 4 | 12 x 12 | 38 |
| DM-36 | 48 | 11 | 10 5/8 | 57 | 5 1/2 | | 40 | 26 1/2 | 4 | 12 x 16 | 48 |
| DM-48 | 60 | 11 | 10 5/8 | 57 | 5 1/2 | | 40 | 26 1/2 | 5 | 12 x 16 | 57 |
| LH-RH 36 | 48 | 11 | 10 5/8 | 57 | 5 1/2 | 30 | | 26 1/2 | 4 | 12 x 16 | 38 |

ALL DIMENSIONS ARE IN INCHES

Door Opening Sizes:

28" Unit 24 1/2" Wide x 18 3/4" High

36" Unit 32" Wide x 21" High

48" Unit 46" Wide x 21" High

K-NUMBER OF FIREBRICK INCLUDED

I-PIPE SIZE (NOT INCLUDED)

L - WHEN RAISING THE DOUBLE MODEL UNITS TO HEARTH HEIGHT EXTEND CENTER BAFFEL DOWNWARD TO BASE. 4" BLOCK MAY BE USED.

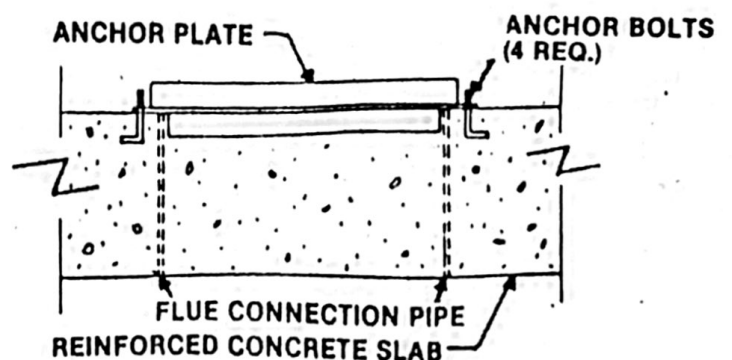
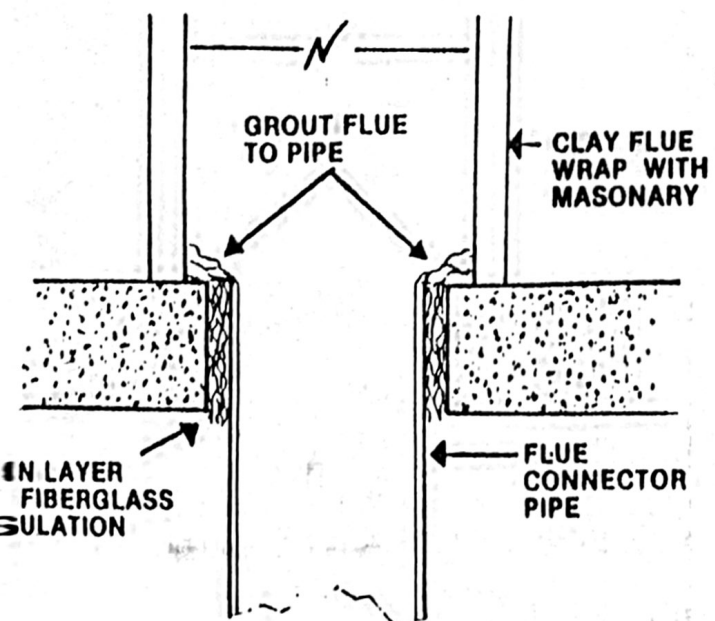
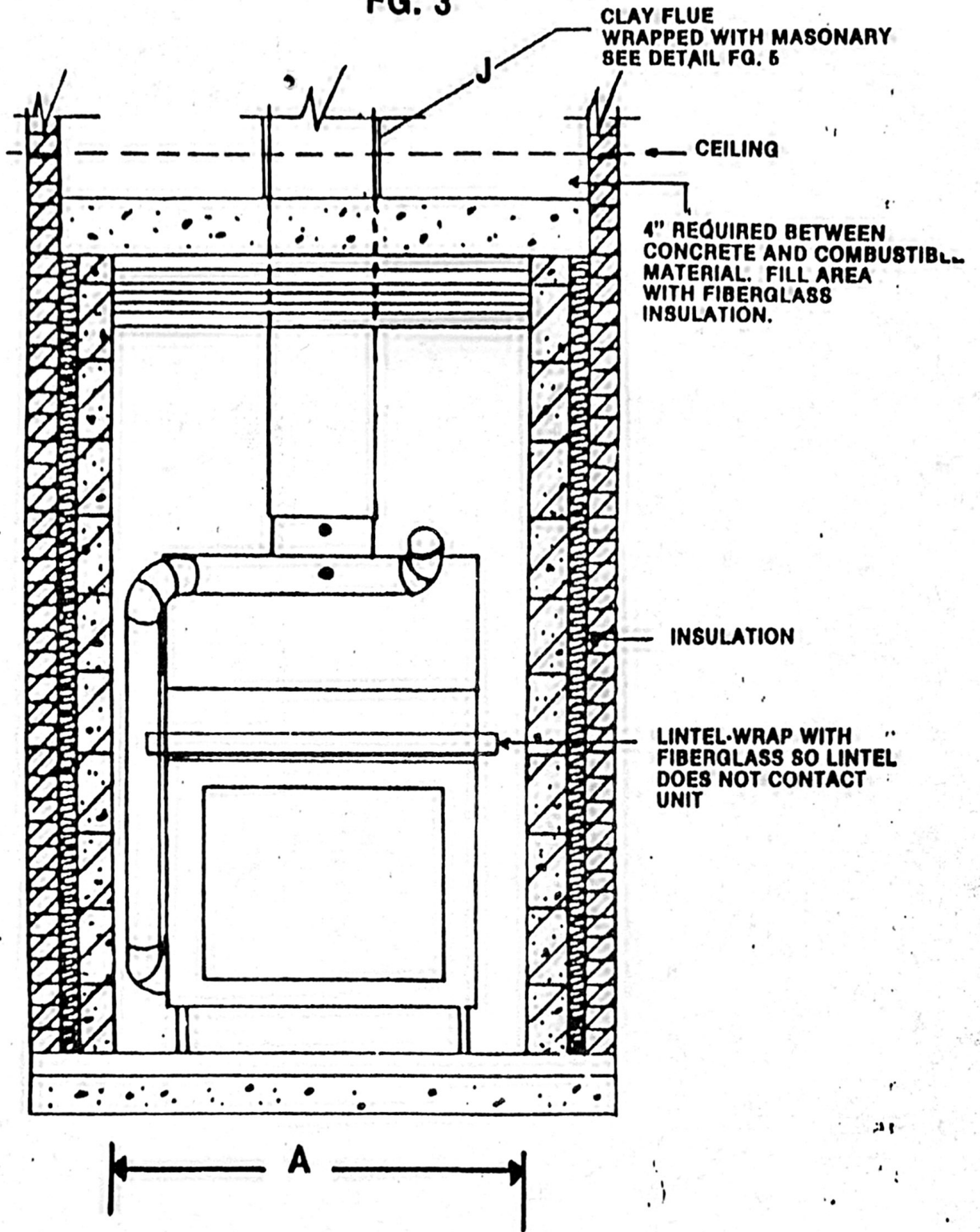
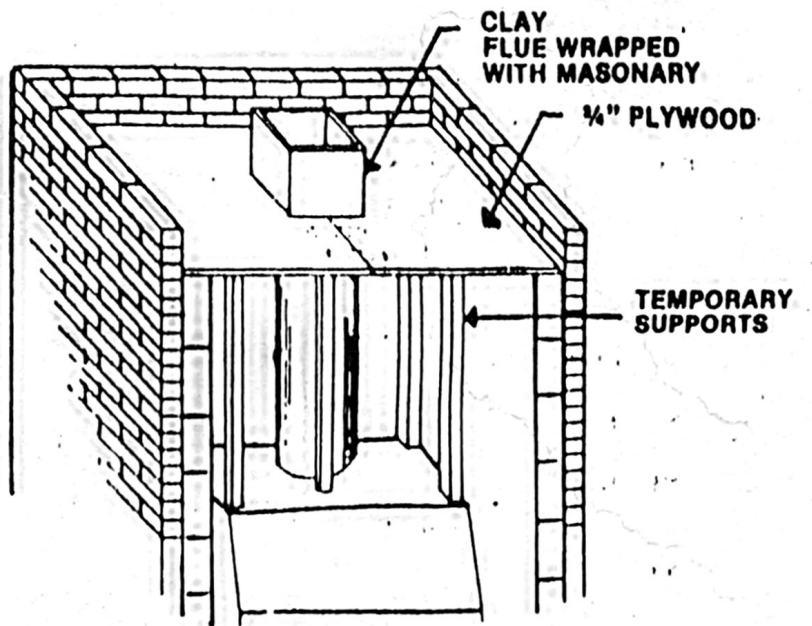


FIG. 6

FG. 3



FG. 5



FG. 4

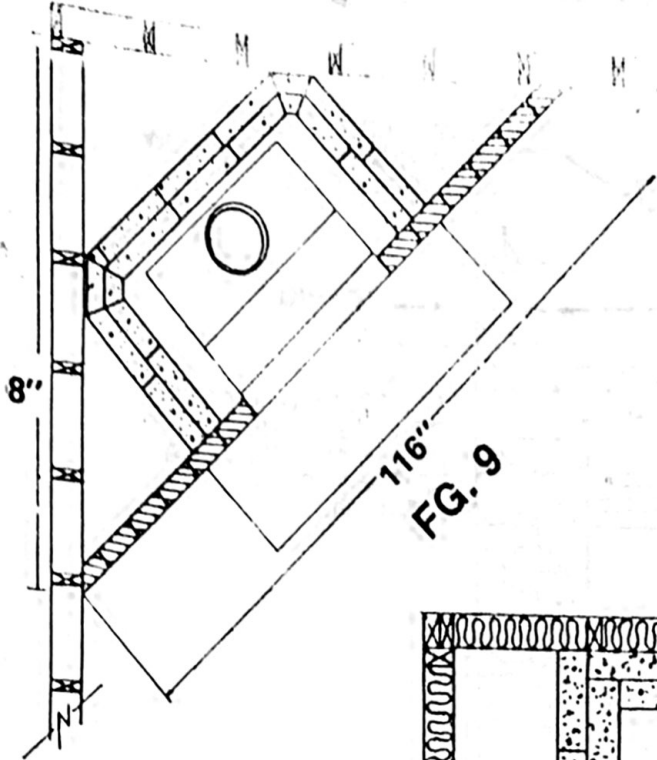


FIG. 9

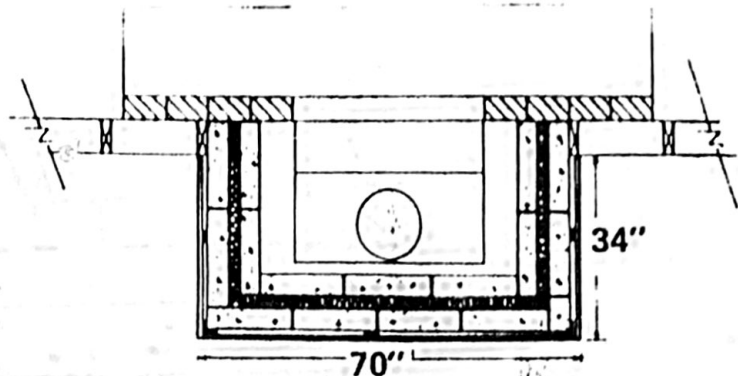


FIG. 11

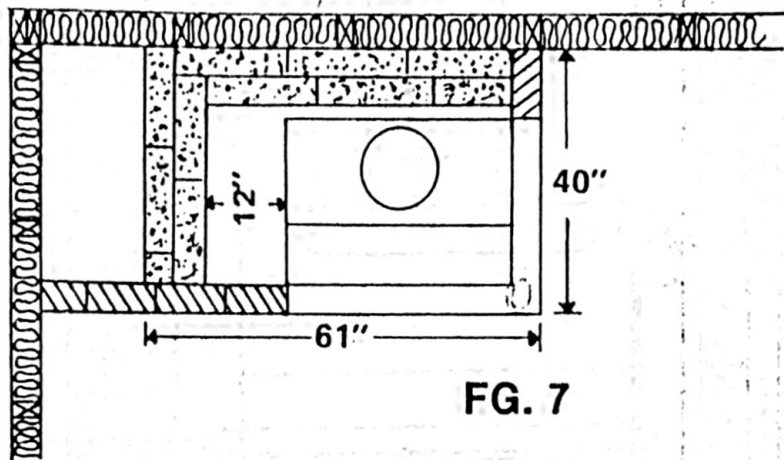


FIG. 7

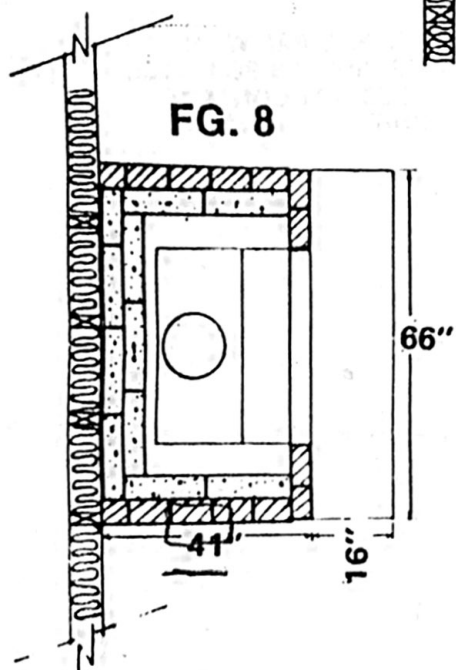


FIG. 8

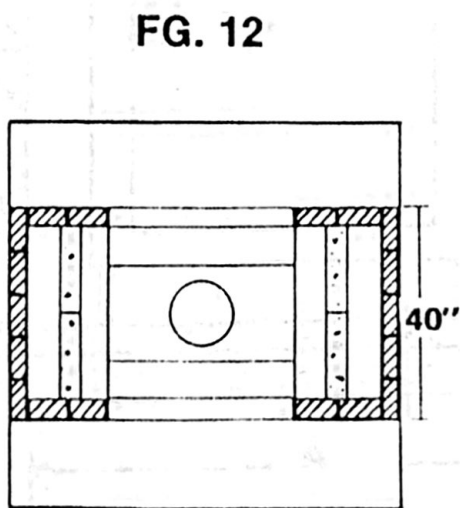


FIG. 12

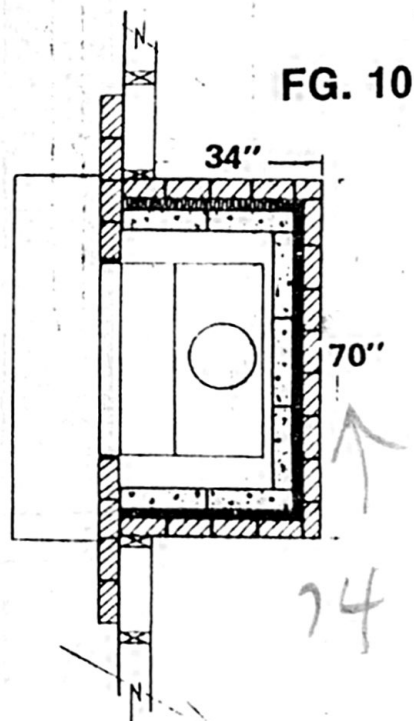


FIG. 10

Operating Instructions for the Timberland Fireplace Furnace

1. Open chimney damper and thermostat (counter clockwise is open). Open thermostat approximately $\frac{1}{2}$ turn.
2. Open doors.
3. Place two logs in fireplace combustion chamber.
4. Place paper between logs.
5. Place kindling wood and logs across logs and paper.
6. Light paper, leaving door partially (about 2") open a few minutes until the paper has burned.
7. Close door.
8. As your logs start to burn you may close the chimney damper approximately $\frac{1}{3}$ to slow the burning. (CAUTION: Closing chimney damper too much may cause damage to doors and spill smoke into your room.)
9. Three or four 8" logs 24" long are sufficient for maximum heat.
10. This fireplace may be burned with the doors open, ALWAYS OPENING THE DAMPER FIRST. Turn the thermostat to closed (clockwise) position when burning with the doors open. It is our recommendation that you purchase the optional screen if you wish to burn your unit with the doors open.

For beauty and best PERFORMANCE, please follow installation & operating instructions CAREFULLY!

Messer
Machine &
fg. inc.

Hwy. 60-71 North
Windom, MN 56101
PHONE: (507) 831-1904