

BENEFITS

Congratulations! You are about to purchase one of the best designed, efficient and highest quality woodstoves available. . . . "A Fisher Teddy Bear".

Considering the cost of oil, gas and electric heat these days, it's easy to understand why homeowners everywhere are turning to Fisher Stoves for safe, economical heat.

Consider the benefits of a Fisher Teddy Bear

- **Your safety comes first with a Fisher.** The Fisher Teddy Bear has been tested by Underwriter's Laboratories.
- **Depending on construction** of home, the Teddy Bear can deliver comfortable, warm heat up to 1,250 square feet.
- **E-Z™ Spin draft controls** gives complete control over how much air gets to the fire. No fancy doodads to wear out. Simply open the draft controls for more heat. Or close them almost all the way for a slower, longer-lasting fire.
- **The use of heavy plate steel** (1/4" & 5/16"), firebrick, custom fitted cast iron doors, cool-touch spring handles and quality workmanship insures many years of safe and efficient heating.
- **Enjoy the cheerfulness of a fire . . .** merely attach the screen and you are ready to watch the dancing flames and crackling fire.
- **Attractive pedestal styling** and optional appearance groups are designed to complement home decor, from ranch-style to Colonial, Victorian to ultra-modern.
- **Wood smells as good as it burns** and so does the food that can be cooked on the Teddy Bear's large cooking surface.
- **The Fisher Teddy Bear** was designed with families in mind. Families like yours. The crisp, clean and refreshing styling adds warmth and beauty to any home.

Save on your heating bill

Many owners of Fisher Wood Stoves heat their homes entirely with wood, using as little as two cords a year. Others depend on their Fisher Stove as a supplement to their normal heating system. Either way, it's a direct dollar savings! And a Fisher Teddy Bear gives you "power failure insurance" . . . the heat stays on even though the power may go off.

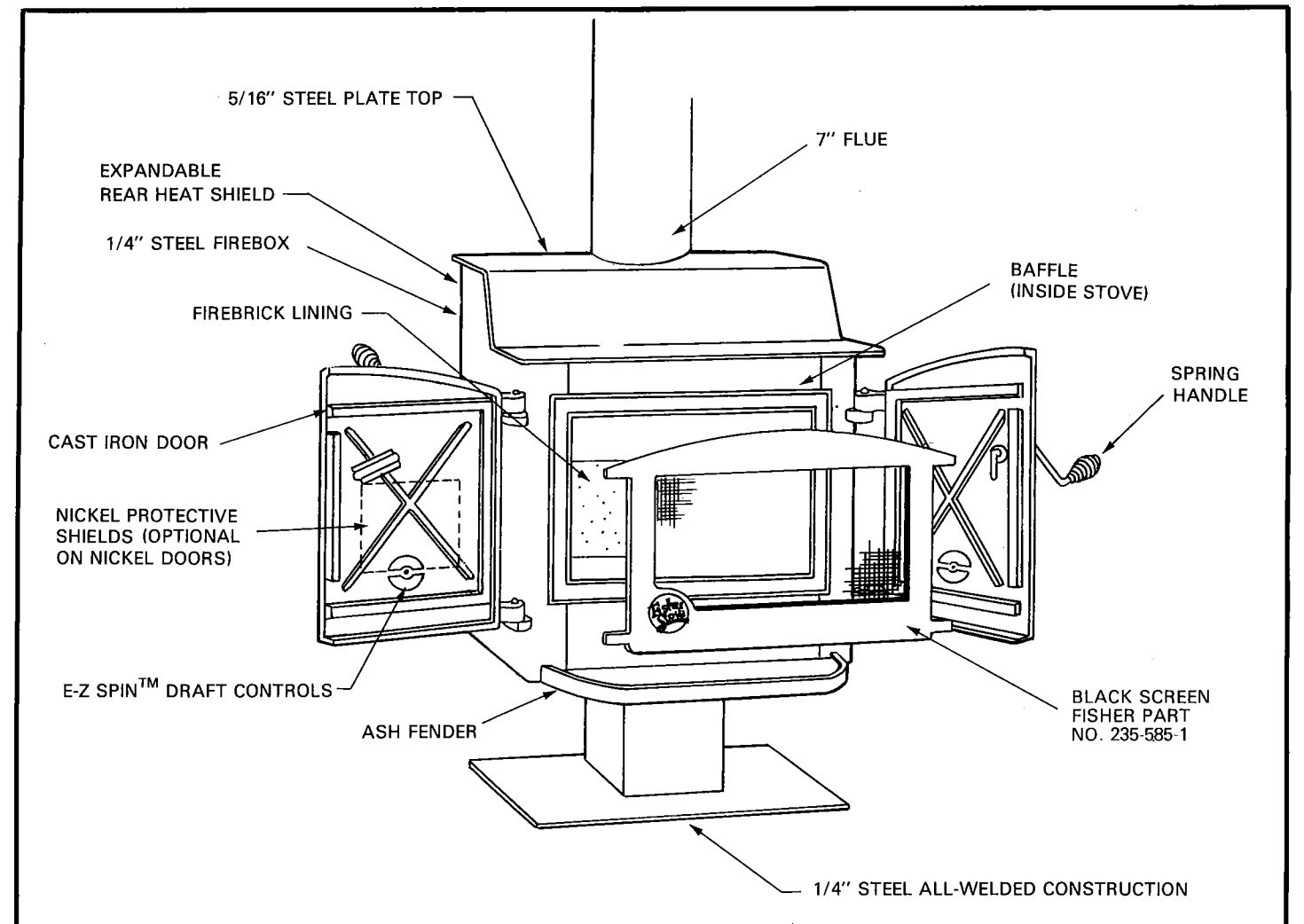
DESIGN FEATURES

The Fisher Teddy Bear features the popular pedestal styling found in Fisher's other pedestal model, the Goldilocks. Unlike the Goldilocks, which is approved for mobile home installations and requires an outside air source, the Teddy Bear was designed for use in conventional homes with no outside air source.

The Teddy, like all Fisher Stoves, has been engineered for economy and efficiency. Virtually airtight, Fisher's two-step design creates internal air patterns that help re-burn gases to produce almost total combustion.

With doors open and screen attached, the Teddy Bear is a fireplace that adds charm to any decor. But, unlike a fireplace which drags heated air up the chimney, it won't rob your home of heat.

Special features of the Teddy include a 7" flue, baffle, room for a 16" log and a heating capacity up to 1,250 square feet. Expandable rear heat shield, bottom thermal protection, firebrick lining, heavy plate steel, cool-touch spring handles and positive action safety latch are important safety features found in the Teddy Bear.



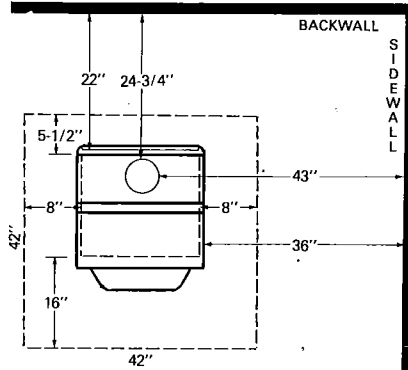
FISHER TEDDY BEAR

CLEARANCE TO COMBUSTIBLE DIAGRAMS

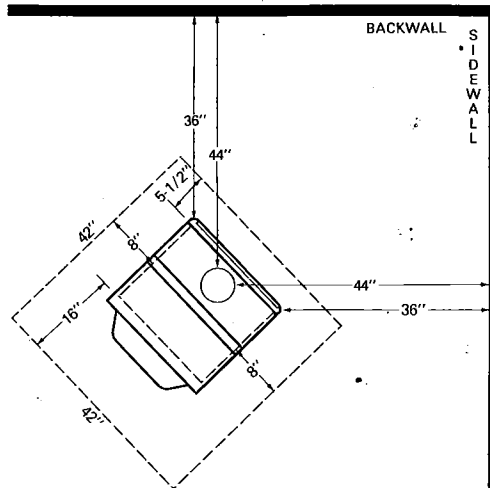
CLEARANCE TO COMBUSTIBLE SURFACES AND FLOOR PROTECTOR

VERTICAL, THROUGH-THE-CEILING
CHIMNEY INSTALLATION

SIDEWALL/BACKWALL INSTALLATION

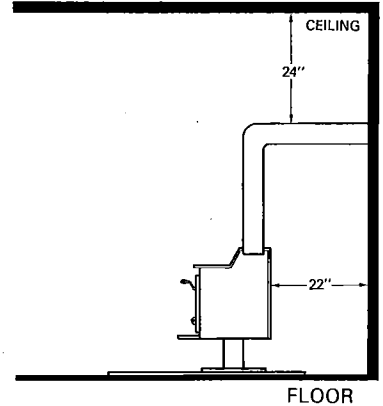
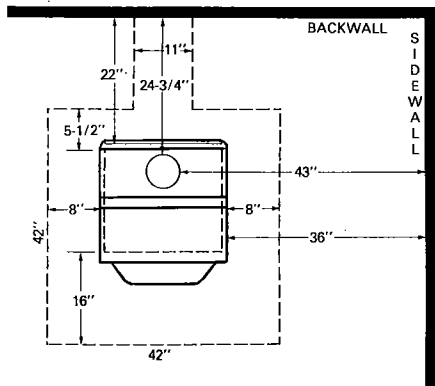


CORNER INSTALLATION



HORIZONTAL, THROUGH-THE-WALL
CHIMNEY INSTALLATION

SIDEWALL/BACKWALL INSTALLATION



- **CHIMNEY AND ACCESSORIES:** (Used through walls, ceiling and outside dwelling). Use 7" diameter U.L. Listed factory built, residential type and building heating appliance chimney. Do not use Type B chimney which is used for venting gas appliances.

- Contact local building officials for installation permits and/or special instructions.

- **FLOOR PROTECTOR:**
MATERIAL: The floor protector must be 3/8" minimum thickness asbestos millboard or equivalent (U.L. Listed floor protector). If asbestos millboard is used, a noncombustible material such as tile or brick can be placed over it for decoration.

MINIMUM SIZE:

Width: 42"
Depth: 42"
Thickness: 3/8"

NOTE: For through-the-wall installations, there must be a minimum 11" wide by 3/8" thick floor protector extension centered below the chimney connector between the wall and floor protector.

TEDDY BEAR® MODEL SPECIFICATIONS

Be sure you have chosen the correct size heater for the area you intend to heat. The physical size of the stove in relation to the area it will heat might appear deceiving. If you have selected a model too large for the area to be heated, it will be necessary to operate the stove in a "choked down" condition. Over a period of time excessive creosote buildup in the chimney may result.

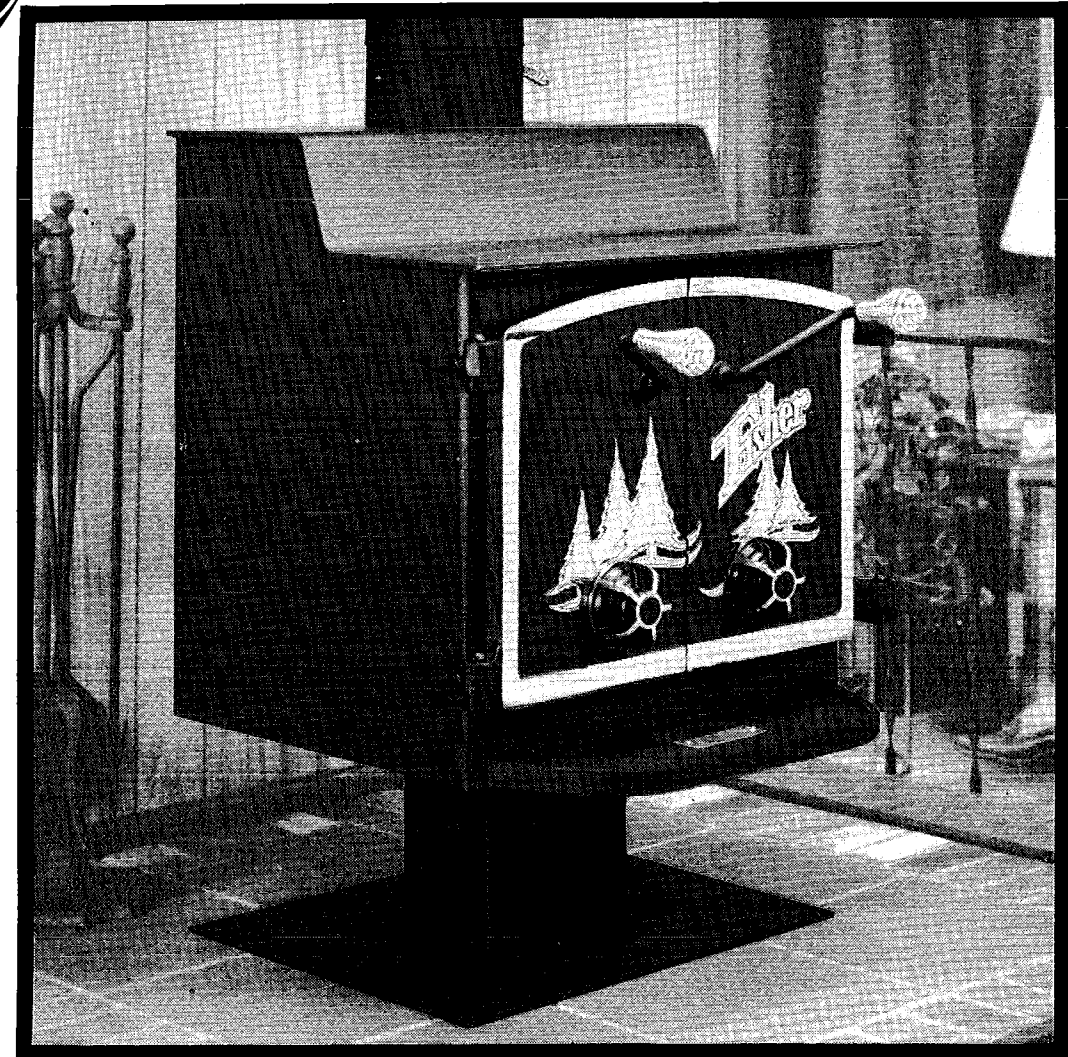
Height: 35-3/8"
Width: 24"
Depth: 27"
Takes Maximum 16" Wood
Flue Size: 7"
Approx. Weight — 420 lbs.
Approx. Heating
Capacity—1,250 sq. ft.



Dealer Imprint



Teddy Bear



An Idea America Is Warming Up ToSM



**THE OFFICIAL WOODSTOVE OF
THE 1980 OLYMPIC WINTER GAMES**