

IV. INSTALLATION

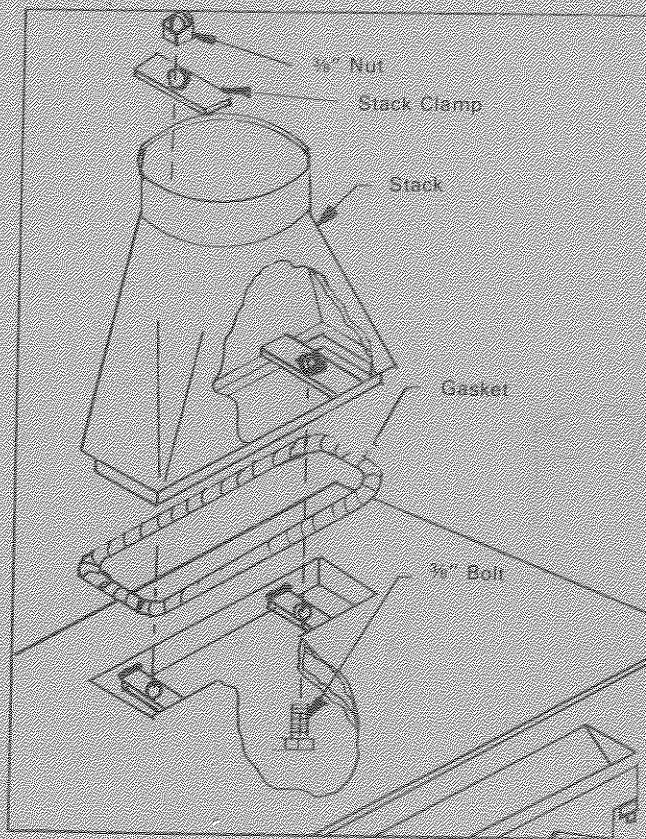


FIGURE I

MODEL REGULAR BAT F-100
STONE SERIES NO. F-458-B

INSTALLED 11-24-82