

INDEX

	PAGE
Safety Precautions	2
Introduction	3
Specifications	3
Installation Instructions	8
—Fireplace Inserts	5
—Freestanding	10
Operation of Stove	12
Maintenance	14
Wiring Diagrams	15, 16
Parts	P-1
Numerical Index	P-7

SAFETY PRECAUTIONS

For your protection, as well as others, please observe the following safety precautions:

1. Before starting any fires in the stove, make sure the immediate area is clear of combustibles such as matches, clothes, newspaper, furniture, etc. Make sure the room is adequately ventilated and the flue is unobstructed.
2. Never use gasoline, gasoline-type lantern fuel, kerosene, charcoal lighter fluid, or similar liquids to start or "freshen up" a fire in this heater. Keep all such liquids well away from the heater while it is used.
3. Don't overfire the stove. Red hot stovepipes and overheated flues can cause chimney fires.
4. Don't burn plastics or other materials that may damage or corrode the stove.
5. A fire extinguisher should be located in a convenient place and inspected periodically.
6. Install smoke detectors for protection while you sleep.
7. If a chimney fire starts, do the following:
 - (a) Close the dampers which will limit the air supply.
 - (b) Call the fire department if the fire does not go out immediately.
 - (c) Wet down the roof and other outside combustibles to prevent fires from shooting sparks and flames.
8. **DO NOT CONNECT THIS UNIT TO A CHIMNEY FLUE SERVICING ANOTHER APPLIANCE.**

INTRODUCTION

When installed and operated properly, your wood stove is a safe and efficient heating system. This manual is an aid that will assist in the proper installation and operation of your stove, so read and study it very carefully.

NOTE: Models 1661 and 1662 are available in both fireplace insert and freestanding configurations.

Be sure your dealer has supplied the installation kit you require.

For further information on using your heater safely, obtain a copy of the National Fire Protection Association publication "Using Coal and Wood Stoves Safely," NFPA No. HS-10-1978. The address of the NFPA is Battery March Park, Quincy, MA. 02269.

SPECIFICATIONS

	Model 1661 (Small)	Model 1662
HEIGHT	21 $\frac{3}{4}$ "	24 $\frac{3}{4}$ "
WIDTH	32 $\frac{3}{4}$ "	35 $\frac{3}{4}$ "
DEPTH	27 $\frac{1}{2}$ "	29 $\frac{1}{2}$ "
FLUE HEIGHT TOP	12"	12"
FLUE SIZE	8" Dia.	8" Dia.
LOG LENGTH CAPACITY	15 $\frac{1}{2}$ "	20 $\frac{1}{2}$ "
DOOR OPENING	18 $\frac{1}{4}$ "(W) x 12 $\frac{1}{4}$ "(H)	19 $\frac{3}{4}$ "(W) x 13"(H)
MATERIALS	Steel	Steel
DOORS	Cast Iron	Cast Iron
RECOMMENDED FUELS	Wood	Wood
WEIGHT	Approx. 350#	Approx. 432#

RATING

	Model No. 1661			CFM ROOM AIR
	WOOD LBS/HR	BTU/HR OUTPUT	% EFFICIENCY	REQUIRED
Low Fire	10.4	49126	57-59	19
Med. Fire	16.1	63593	48-50	28
High Fire	27.5	86154	38-40	37
	Model No. 1662			CFM ROOM AIR
	WOOD LBS/HR	BTU/HR OUTPUT	% EFFICIENCY	REQUIRED
Low Fire	4.7	24229	62-64	12
Med. Fire	7.8	30462	47-49	14
High Fire	51.6	155733	36-38	37

These data were obtained under test conditions in accordance with the Fireplace Institute Standard for wood-fired, closed-combustion chamber heating appliances and may not be reproducible in home operation.

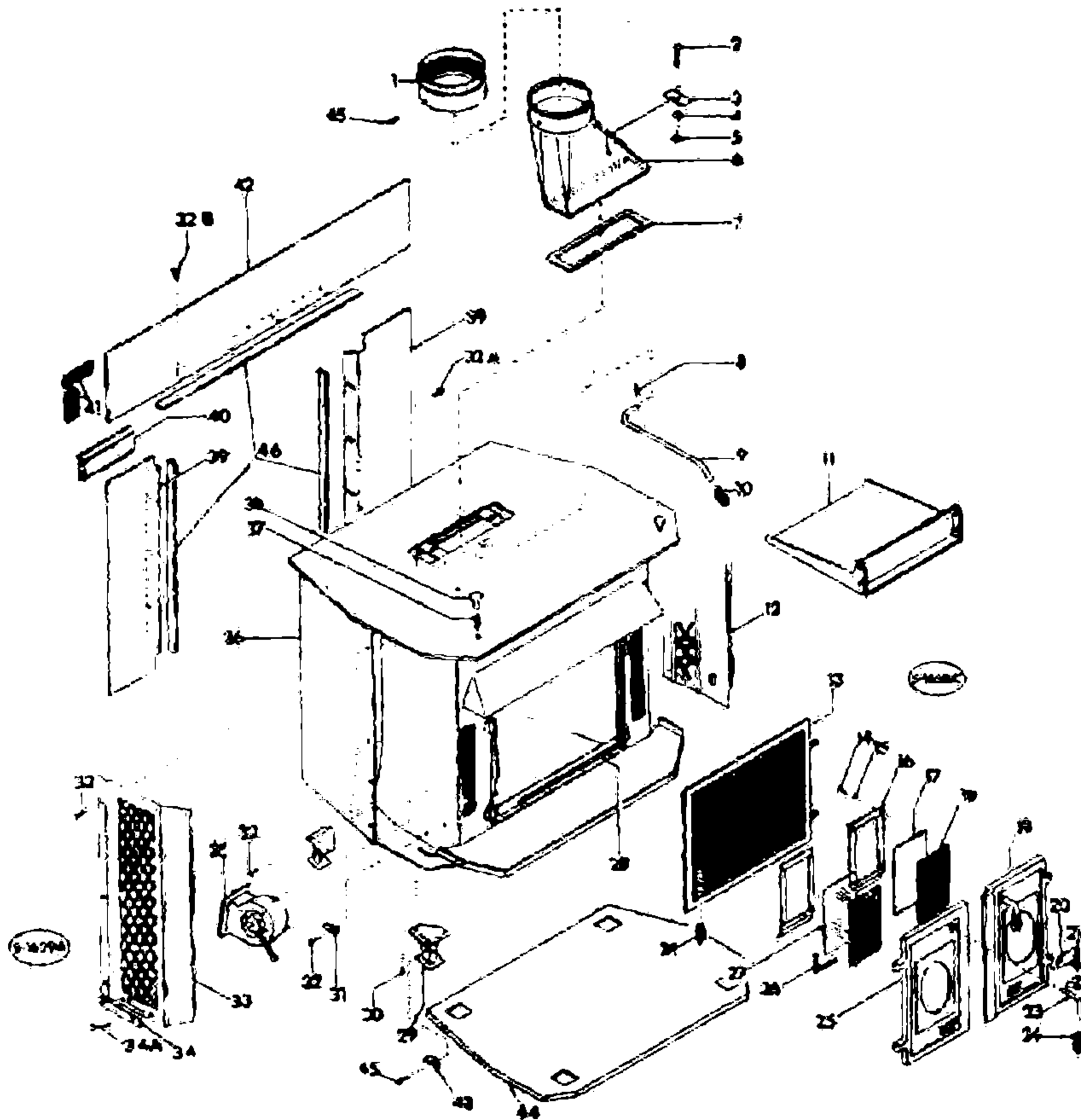


FIG. 1 — PARTS ILLUSTRATION

DET. NO.	DESCRIPTION	QTY.
1	Adaptor - Drip-proof, FSM	1
2	Bolt - Carriage ($\frac{1}{2}$ -18 x $1\frac{3}{4}$) FSM	2
3	Plate - Flue Support, FSM	2
4	Washer - Lock ($\frac{1}{2}$.) FSM	2
5	Nut - Hex ($\frac{1}{2}$ -18) FSM	2
6	Transition - Flue, FSM	1
7	Gasket - Flue, FSM	1
8	Pin - Cotter ($\frac{1}{8}$ x 1)	1
9	Rod - Damper Control	1
10	Spring - Damper Control	1
11	Rack - Log	1
12	Vent, R.H. 1661	1
13	Screen Assy.	1
14	Screw - Hex (10-24 x $\frac{1}{2}$)	8
15	Washer - Lock (#10)	8
16	Retainer	2
17	Plate - Steel Insert	2
18	Safety Screen	2
19	Door Assy., R.H.	1
20	Plate - Damper	2
21	Screw - Damper	2
22	Pin - Roll ($\frac{1}{8}$ x 1)	1
23	Handle - Door	1
24	Spring - Handle Grip	2
25	Door, L.H.	1

DET. NO.	DESCRIPTION	QTY.
26	Thermotape - Adhesive	2
27	Glass - Door	2
28	Thermotape - Door Seal	1
29	Leg Assy FSM	4
30	Fastener - Thd. Form ($\frac{1}{2}$ -18 x $\frac{1}{2}$) FSM	12
31	PL - Clamp	2
32	Screw - Self Drilling (10 x $\frac{1}{2}$)	4
32A	Screw - Self Drill #10 x $\frac{3}{4}$	6
32B	Screw - Self Drill #12 x $\frac{3}{4}$	4
33	Vent, L.H.	1
34	Plate	2
34A	Screw - Self Tap #8 x $\frac{1}{2}$	4
35	Blower Assy., L.H.	1
—	Blower Assy., R.H.	1
36	Stove Assy. Complete	1
37	Screw Allen Hd.	2
38	Knob - Stove	2
39	Skirt Side	2
40	Trim	2
41	Insulation Strip	A/R
42	Skirt Assy., Top	1
43	Clip - Heat Shield FSM	1
44	Heat Shield FSM	1
45	Screw - Self Drilling (10 x $\frac{1}{2}$) FSM	6
46	Gasket	A/R

FSM — Freestanding Model

BEFORE INSTALLATION

We recommend that you contact your local building inspector concerning building and safety codes before you install your stove. Its installation must comply with local building codes (refer to *National Fire Protection Codes 89M and 211*). After the installation is complete, it is standard practice to have the work checked by a building inspector before the stove is fueled for use. The proper installation of your new stove will help assure maximum efficiency and safe

operation.

Before you begin the preliminary assembly and installation of your new stove, unpack the unit carefully and check all pieces against the parts in Figure 1. In the unlikely event that there is a part missing from your unit, immediately notify your Dealer. Remember, this manual is designed to help you safely install and fully enjoy your new wood stove. Please read it carefully.

PRELIMINARY ASSEMBLY AND ELECTRICAL CHECK-OUT

NOTE:

Refer to the exploded diagram (Fig. 1, 1A & 1B) for parts identification throughout these and the following instructions.

Glass or Steel Panels

Glass Panel Kit 778209 or Steel Panel Kit 778210 must be used with fireplace stove or fireplace insert. These assemble into the door. Refer to items 1 and 3 in Figure 1A. The glass or steel panels install by the same procedure.

Remove the four screws (5) and retainer (4) from the back of the door. Place the gasket (6) completely around the steel or glass panel as shown in Figure 1A. The screen (2) must remain in the front of the door. Place the steel or glass with gasket behind the screen. Secure the retainer and the four screws.

Brass Decorative Knobs

Insert 3/8 allen screw into knob and then screw into the threaded holes located in the stove top.

It may be advisable on the fireplace insert to wait until the stove is installed and then screw these knobs in place.

Electrical

This unit has the option of installing the power cord to either the left hand or right hand side. After choosing the desired side, remove screws "A" and cover "B". Remove vent panel from stove. Position strain relief plate "F" and secure to vent panel with screws "A". Remove plug "D" from connector and wire assembly "C" and make power cord connection with connectors "C" and "E". Connect ground wire from power cord to hole in inner wall of stove using the self-tapping screw provided with the stove. Secure the vent panel to the stove. To change sides with power cord reverse procedure. Plug "D" must be connected on unused side. Plug the electric cord into 115V AC outlet and press the switch to the manual position. The blower should be operating; if not, check for blown fuse or faulty outlet.

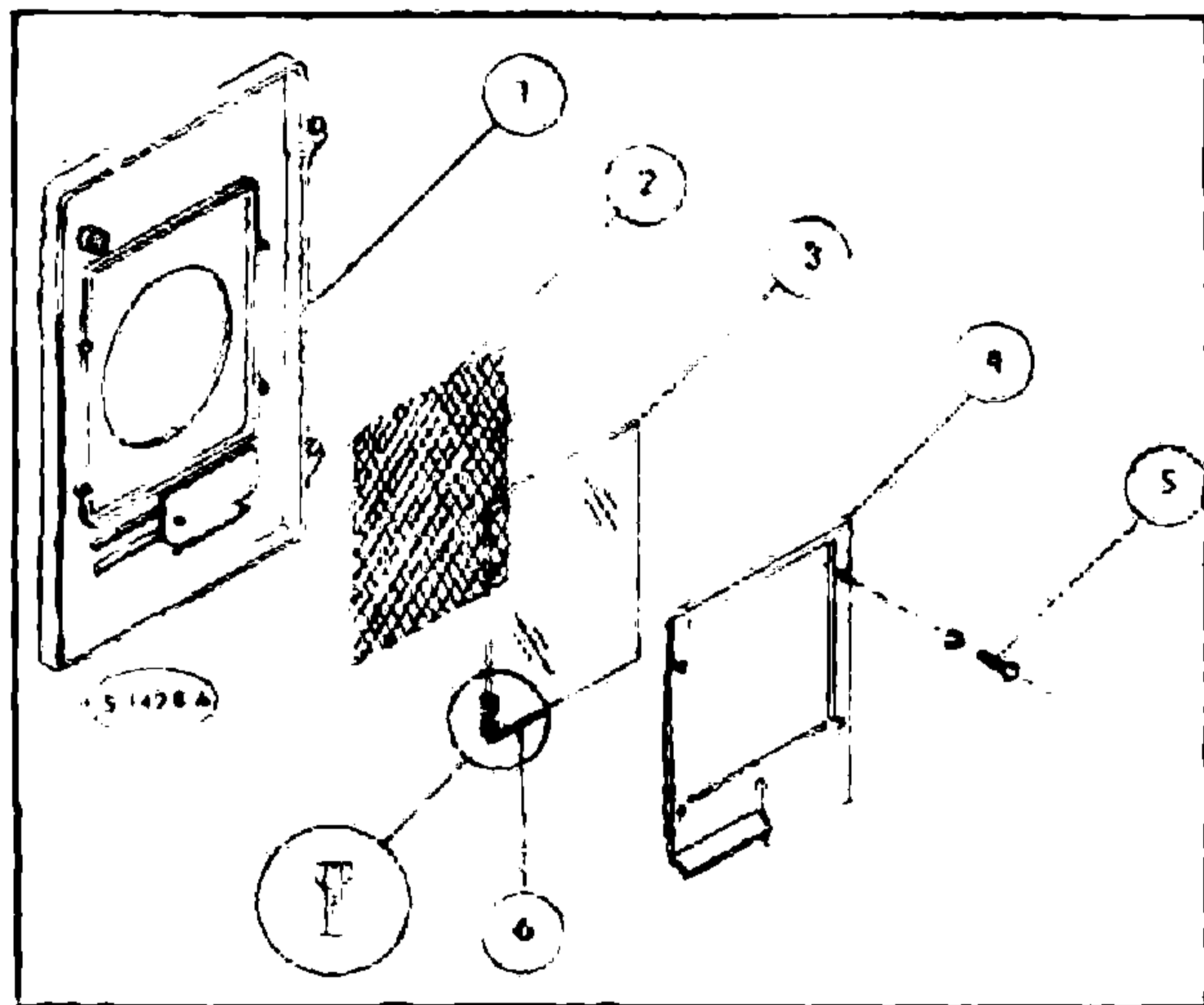


FIG. 1A

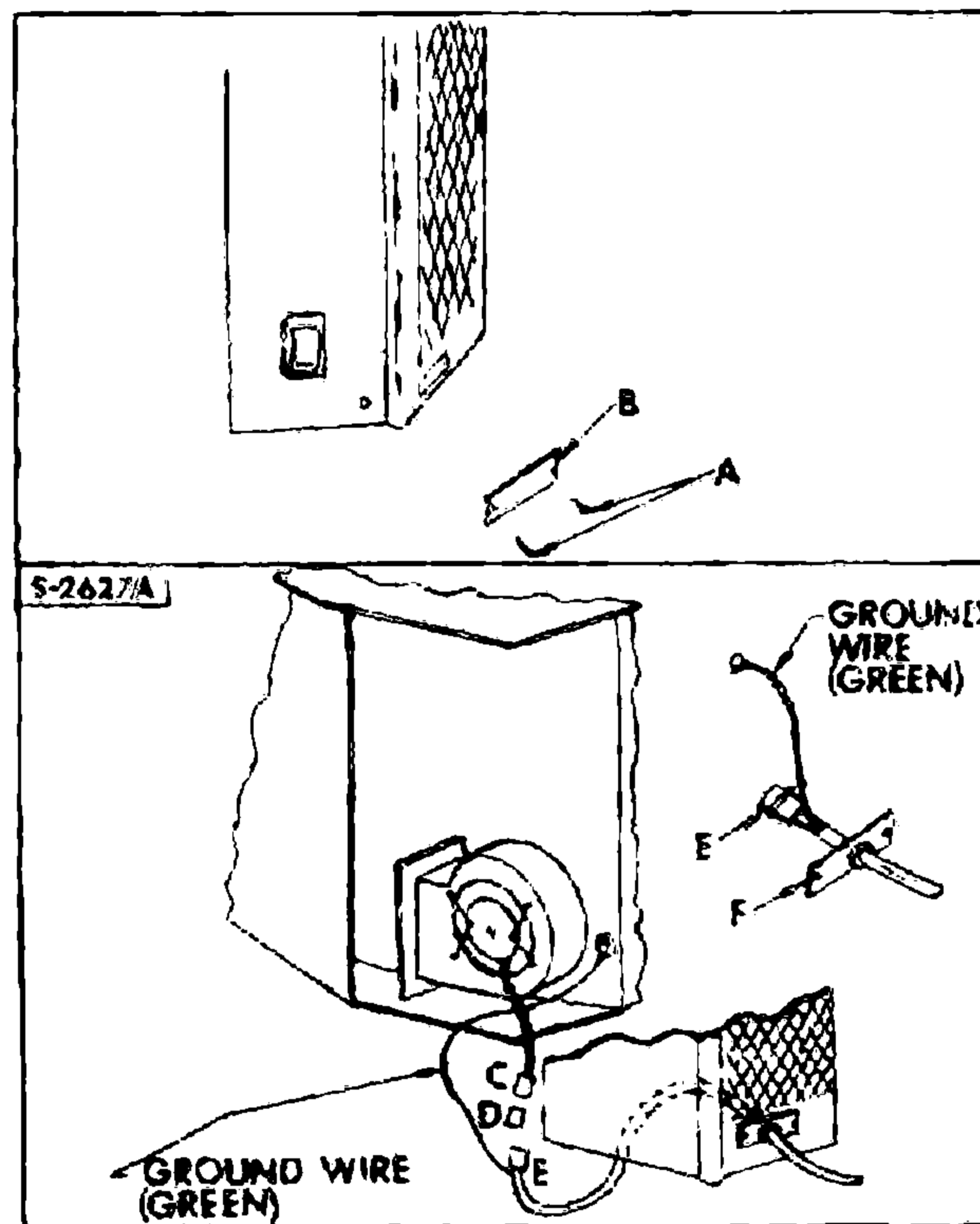


FIG. 1B

INSTALLATION PROCEDURE — INSERT STOVE

SAFETY NOTICE:

If this insert stove is not properly installed, a house fire may result. For your safety, follow the installation directions. Contact local building or fire officials about restrictions and installation inspection requirements in your area.

This unit is to be installed only in a masonry fireplace conforming to the Uniform Building Code and National Fire Protection Association Standards. A copy of these standards, NFPA 211-1977, *Standards for Chimneys, Fireplaces, and Vents*, may be obtained from the NFPA. The address of the NFPA is Battery March Park, Quincy, MA. 02269.

Fireplace dimensions required to accommodate each stove model are shown in Figure 3.

NOTE: The construction of this stove is such that no direct connection between the flue and chimney is required to avoid combustion gases being brought into the air system.

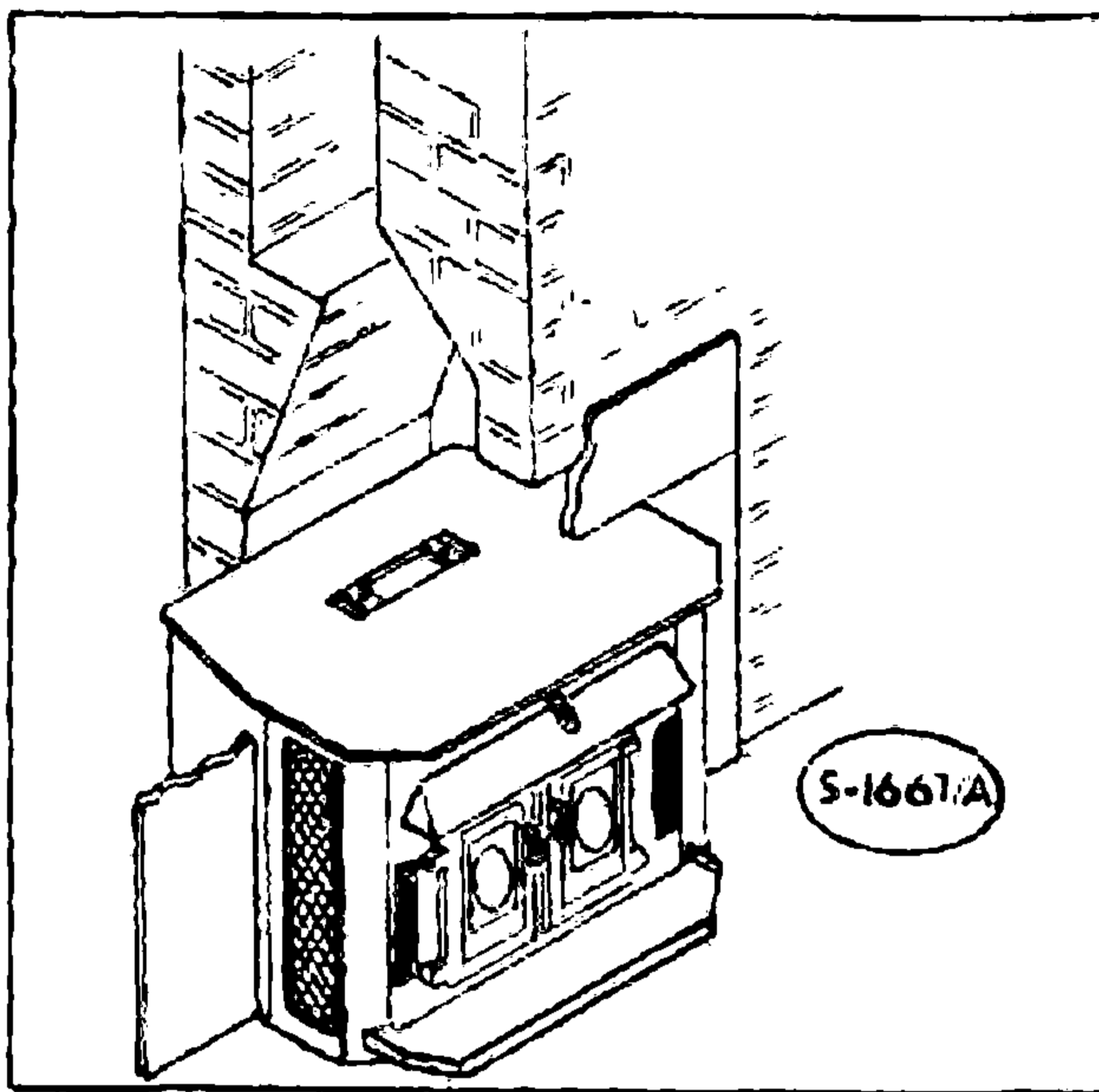


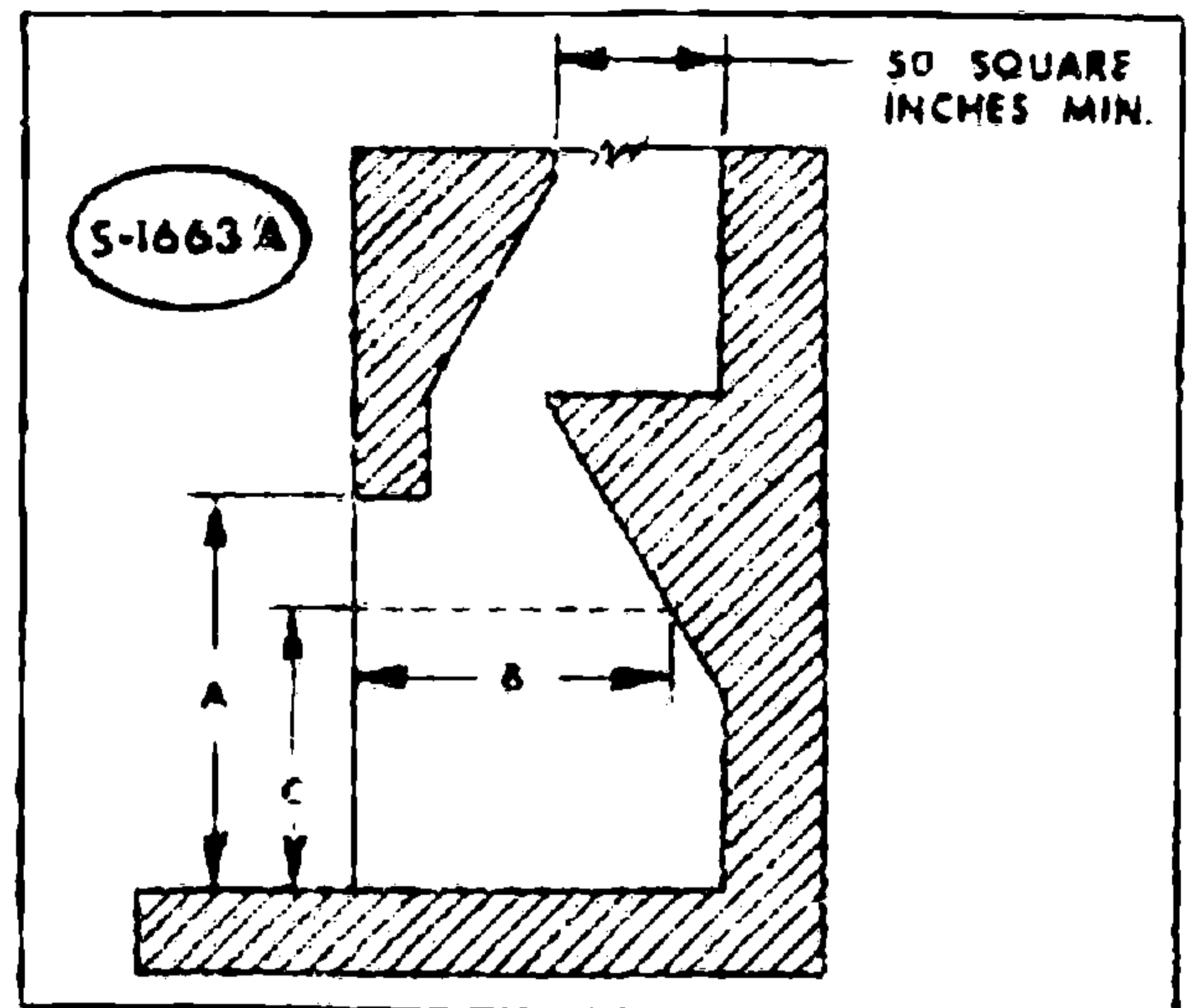
FIG. 2 — INSERT STOVE INSTALLED

CAUTION!
FAILURE TO INSTALL THIS INSERT STOVE ACCORDING TO THE FOLLOWING INSTRUCTIONS CAN RESULT IN A HOUSE FIRE.

INSTALLATION INSTRUCTIONS:

Fireplace Insert Model 1661 requires the use of Fireplace Insert Kit No. 778212 to complete installation. Model 1662 requires the use of Fireplace Insert Kit No. 778213 or 779572 to complete installation.

1. Chimney should be inspected and cleaned as required by a professional chimney sweep.
2. Remove damper from the fireplace or open and wire such that closure can be prevented.
3. Plug 12 holes on bottom of stove with RTV Silicone.
4. It is essential that the skirting be sealed to the stove and to the fireplace. Before mounting the skirting, cut to length the $\frac{1}{2}$ x 1" gasket, remove the backing, and stick under skirting flange. The gasket should be recessed under the flange approximately $\frac{1}{4}$ ". (See Figure 8)
5. Determine the position of the skirting plates by temporarily setting the stove in place and marking the stove or by measuring the fireplace depth at the point of the stove height. Mount side skirting with No. 10 x $\frac{1}{2}$ and top skirting with No. 12 x $\frac{3}{4}$ hex head drilling screws furnished.



Model Number	Fishing Kit No.	Height (A)		Width		Depth (B) Min.	Dim. C
		Min.	Max.	Min.	Max.		
1661	778212	22 $\frac{1}{4}$ "	28"	33"	42"	14"	22"
1662	778213	25 $\frac{1}{4}$ "	32"	36 $\frac{1}{4}$ "	48"	18"	25"
	779572	25 $\frac{1}{4}$ "	37"	38 $\frac{1}{4}$ "	54"	18"	25"

INSTALLATION CLEARANCES (MINIMUM & MAXIMUM) FOR MASONRY FIREPLACE, INSERT MODELS, 1661, 1662

FIG. 3 — MASONRY FIREPLACE
(Cross Section)

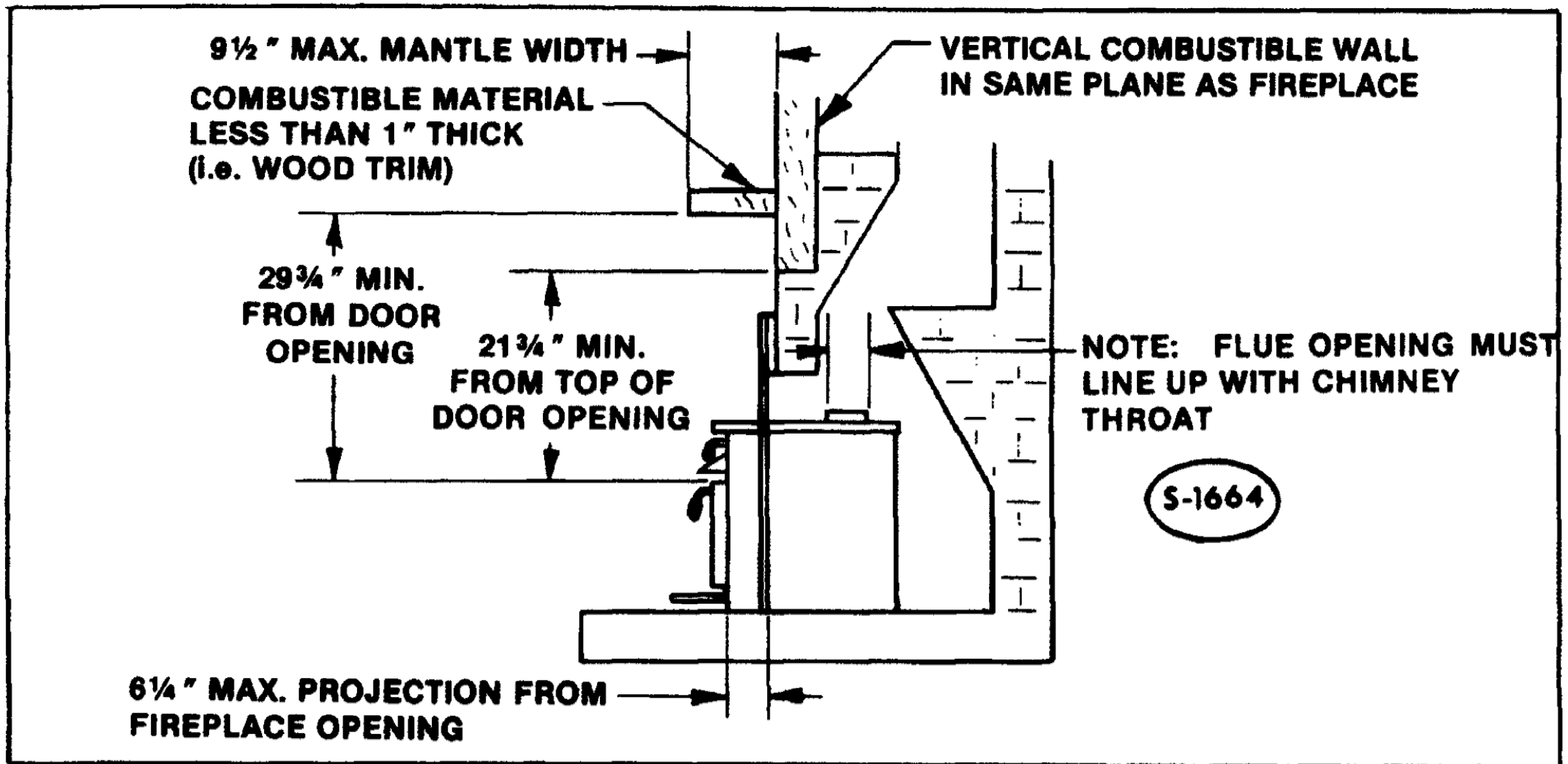


FIG. 4 — INSERT STOVE CLEARANCES

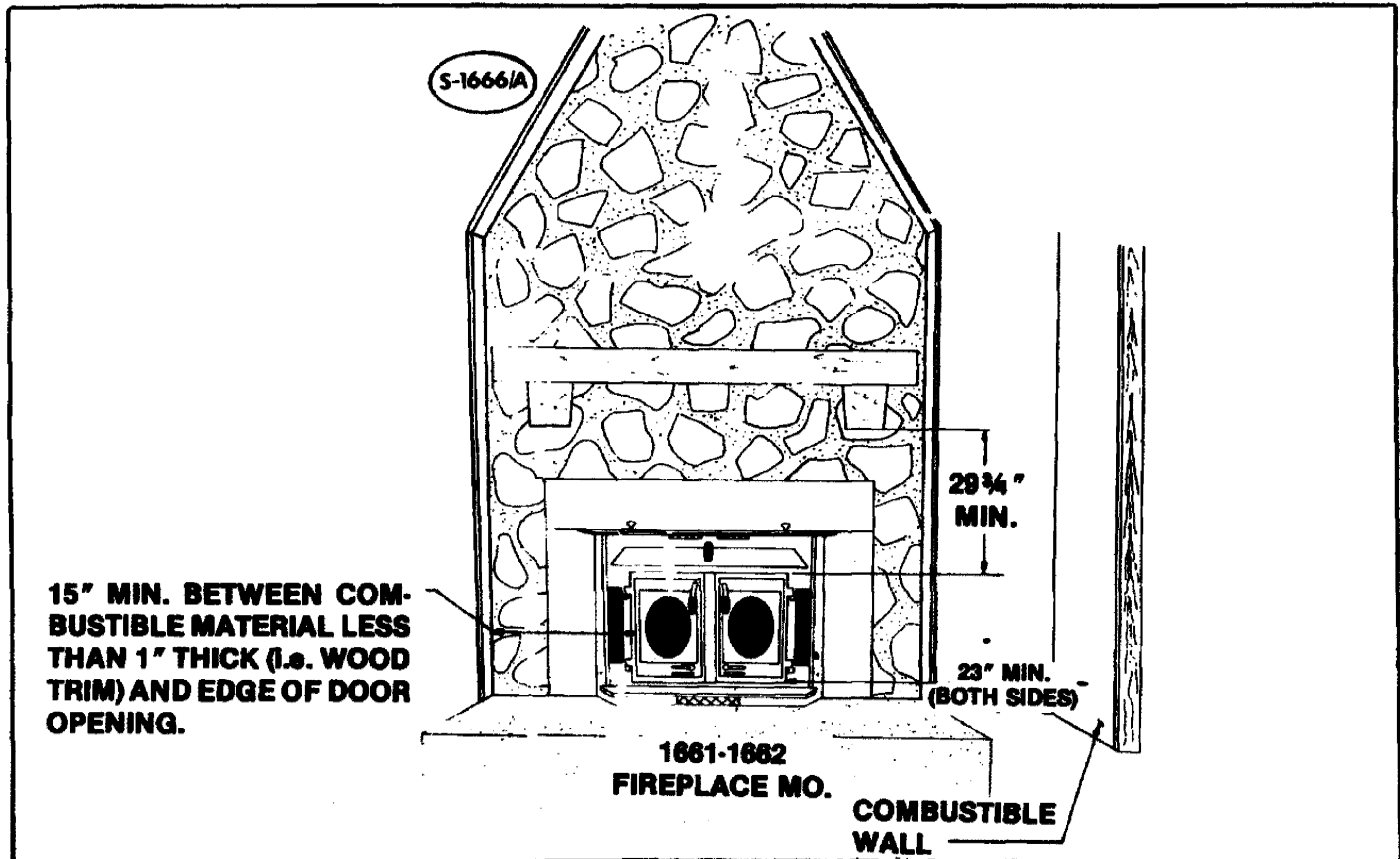


FIG. 5 — INSERT STOVE CLEARANCES

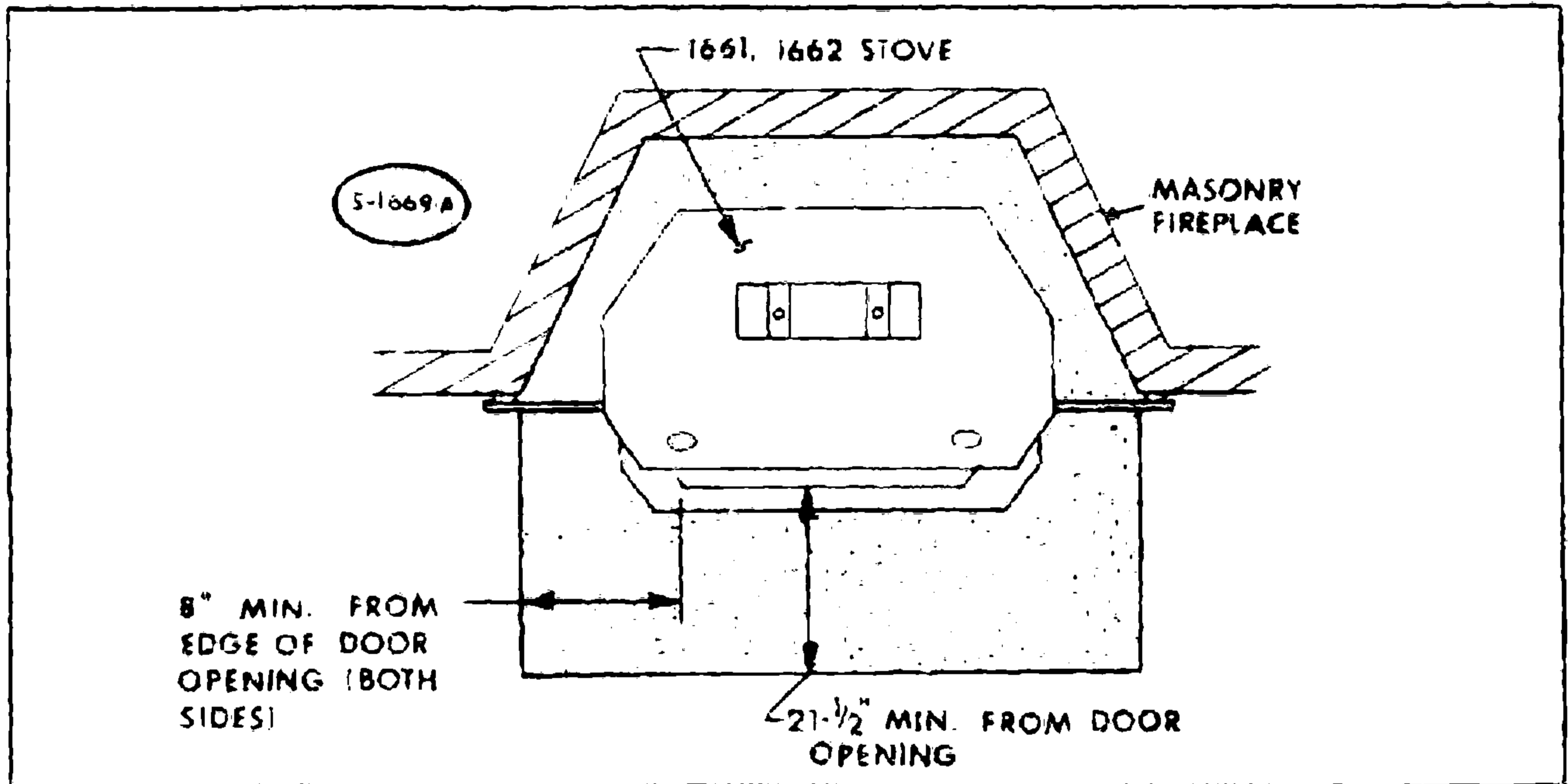


FIG. 6 — INSERT STOVE CLEARANCES

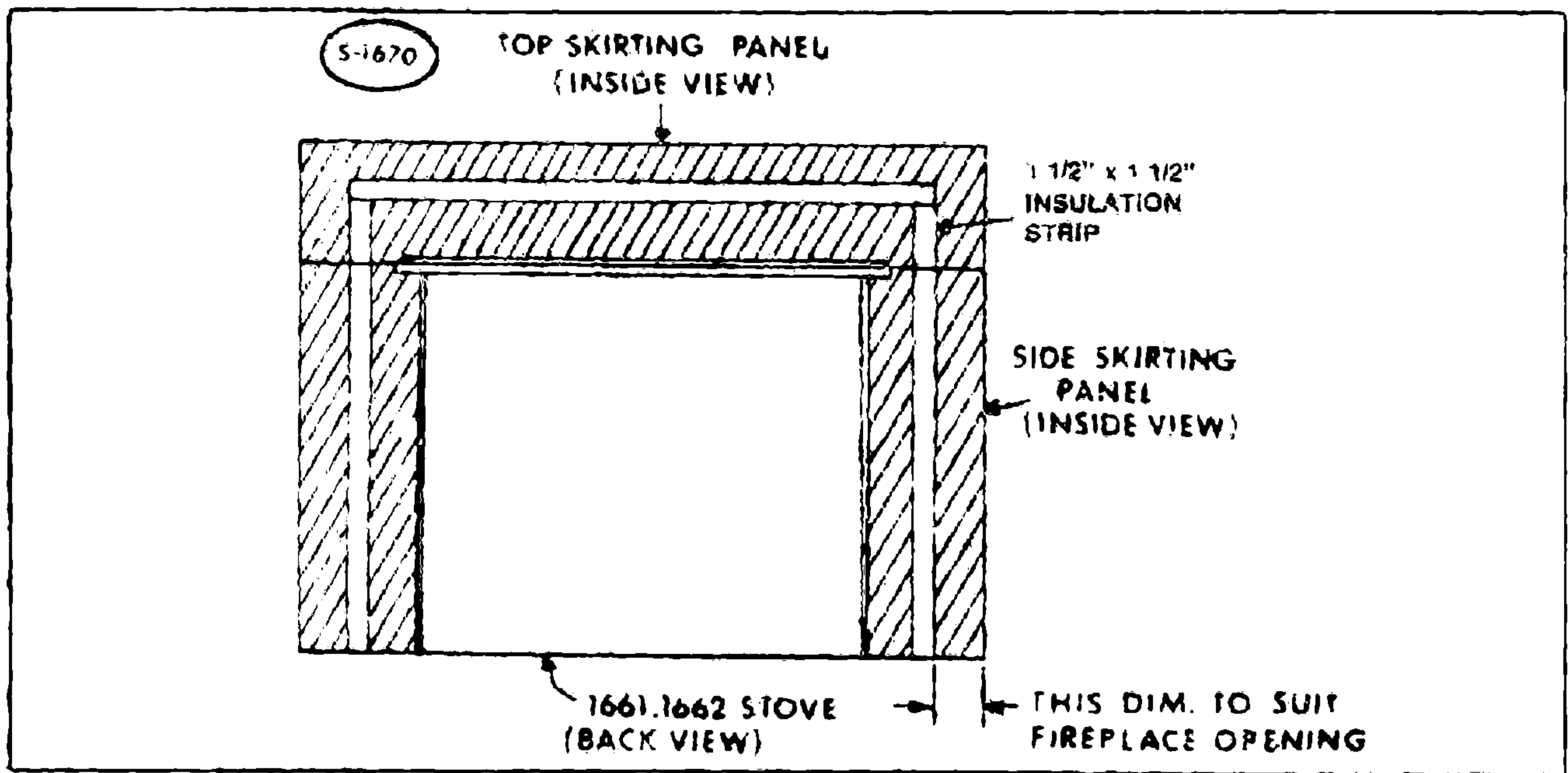


FIG. 7 — INSERT STOVE INSTALLATION

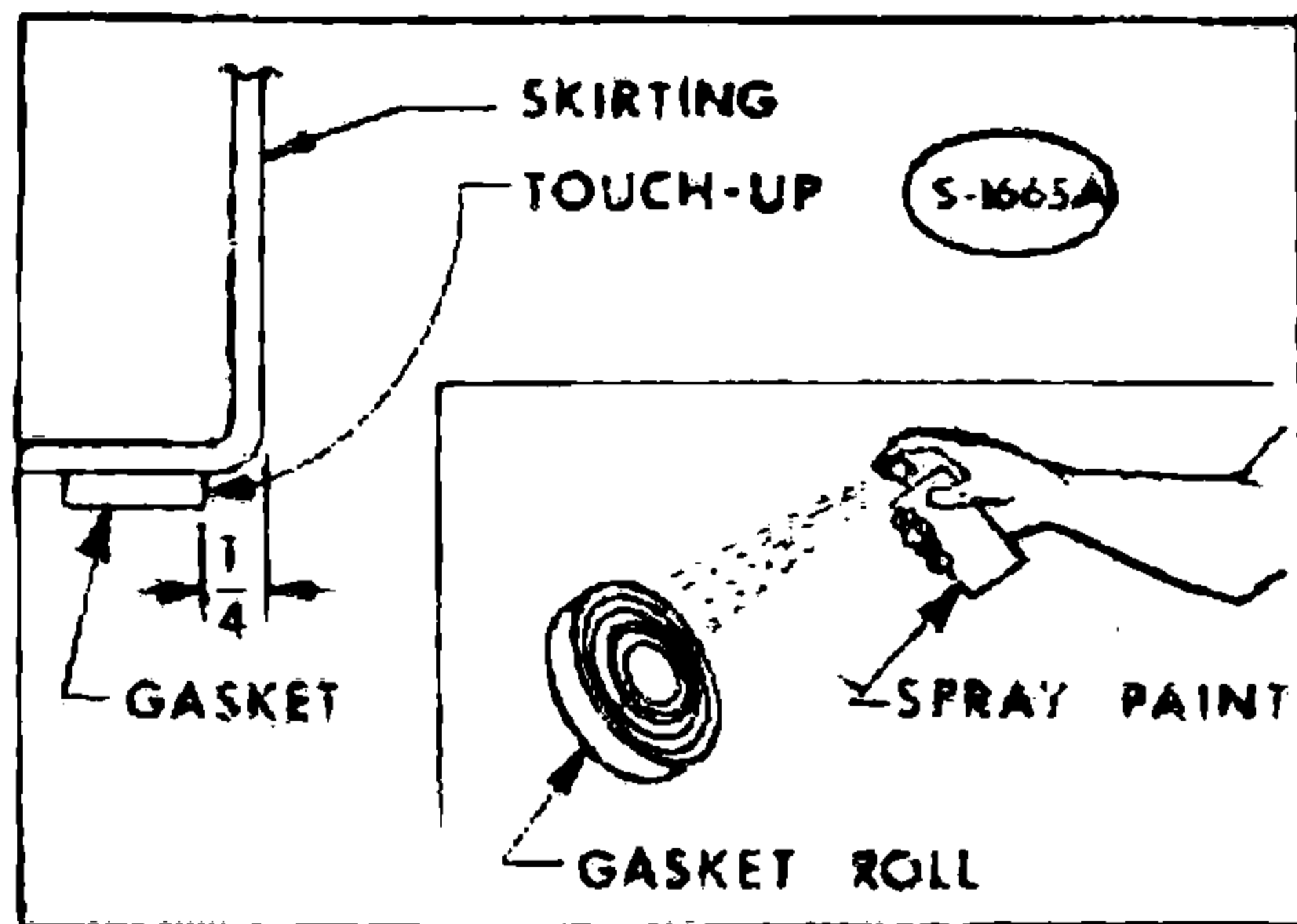


FIG. 8 — INSTALLING GASKET ON SKIRTING

Touch-up exposed edge of gasket with Hi Temp Flat black paint. **NOTE:** Gasket can be painted before applying to flange by painting one edge of the gasket coil.

To seal the stove to the fireplace, glue the fiberglass insulation (Included) to the inside of the skirting (See Figure 7).

6. Slide the stove into the fireplace with the skirting against the face as tight as possible. Check for proper seal by using a light in the fireplace via the damper. If light seepage is evident, add fiberglass and RTV silicone as required to insure proper seal.

7. For appearance, it may be necessary to shim the stove. (The top skirting panel should run parallel to the masonry mortar joints.)

The following clearances from combustibles must be maintained (See Figures 4 and 5):

- A. Hearth Extension: 21½" in front of and 8" to either side of the door opening (See Figure 6).
- B. Combustible material 1" or less thick to the side of the door opening: 15".
- C. Mantle above top edge of door opening: 29¾".
- D. Combustible material 1" or less thick above the top edge of the door opening: 29¾".
- E. Vertical combustible wall above the door opening: 21¾".
- F. Side wall to edge of door opening: 23".

INSTALLATION PROCEDURE — FREESTANDING STOVE

SAFETY NOTICE:

If this freestanding stove is not properly installed, a house fire may result. For your safety, follow the installation directions. Contact local building or fire officials about restrictions and installation inspection requirements in your area.

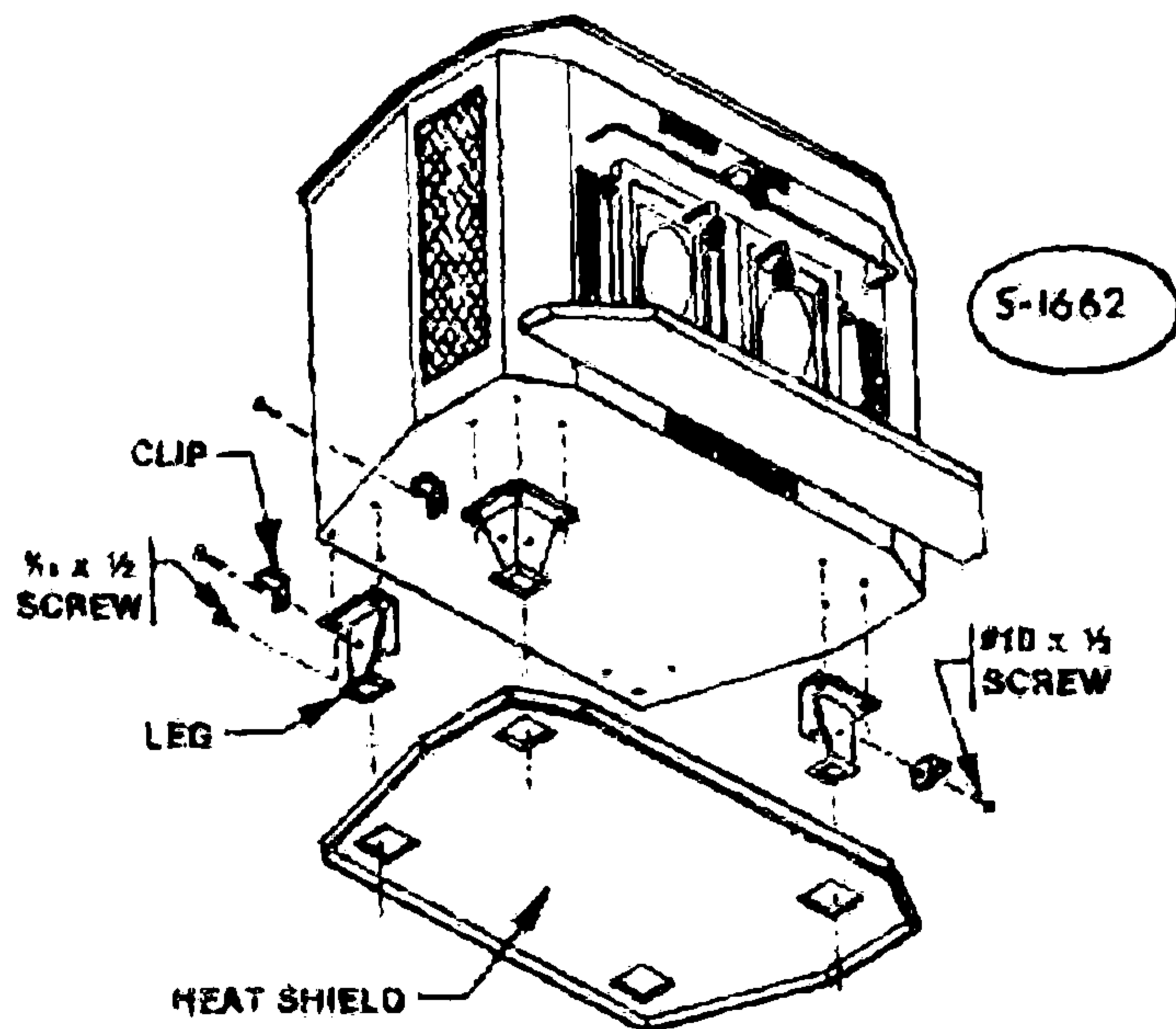


FIG. 9 — HEAT SHIELD and STOVE LEG INSTALLATION



CAUTION!

FAILURE TO INSTALL THIS FREESTANDING STOVE ACCORDING TO THE FOLLOWING INSTRUCTIONS CAN RESULT IN A HOUSE FIRE.

Fireplace Stove Model 1661 requires the use of Fireplace Stove Kit No. 778482 to complete installation. Fireplace Stove Model 1662 requires the use of Fireplace Stove Kit No. 778483 to complete installation.

1. Stove Legs and the Heat Shield are mounted on the bottom of the stove (See Figure 9). To mount, place blocks on floor to support back of stove. Roll stove over backward onto blocks. Using the $\frac{1}{8} \times \frac{1}{2}$ self-tapping screws (3), attach one leg. Place the leg through the hole in the heat shield. The flange on the heat shield should be pointed opposite of the bottom of the stove. Place the opposite leg through the hole in the heat shield and then attach the leg to the stove. Repeat this operation for the remaining two legs.

DO NOT attach leg to the stove without first placing the heat shield over them, as after legs are installed, the heat shield cannot be mounted.

Attach heat shield clips with #10 x $\frac{1}{2}$ self-tapping screws to the legs.

2. Flue Transition is mounted in the $3\frac{1}{2} \times 14$ opening on top of the stove. Place gasket over the opening, set transition in place with offset to the rear. Secure with two clamp bolts (See Figure 1).
3. Adapter slips down over the top of the flue transition in order that the flue pipe's crimped ends can be inserted pointing down. Secure adapter to transition with two sheet metal screws provided.
4. Chimney and chimney connector (not included) should have a diameter of 6 inches. Use only a UL Listed Residential Type and Building Appliance Chimney installed according to its manufacturer's specifications. The chimney connector (flue pipe) should be attached to the heater with at least 2 sheet metal screws and extend vertically to the chimney. Use only 24 gauge sections of black or blue steel pipe for the chimney connector. When connecting the sections of the flue pipe, always point the crimped ends down (towards the stove) and fasten with at least 3 sheet metal screws. The connector joints should be sealed with stove cement.
5. Install stove parallel to walls only.
6. The following clearances must be maintained from combustibles (See Figure 11):

Minimum clearance from outside of chimney connector to backwall: 26".

Minimum clearance from outside of chimney connector to sidewall: 25 $\frac{3}{4}$ ".

Minimum clearance from sides of unit to backwall: 24".

Minimum clearance from sides of unit to sidewall:

Model 1661: 14"

Model 1662: 12"

7. Stove should be placed on a sheet of $\frac{3}{8}$ " asbestos millboard or its equivalent, extending 16" in front of, and 8" to either side of the door opening, and 2" beyond the back of the stove.

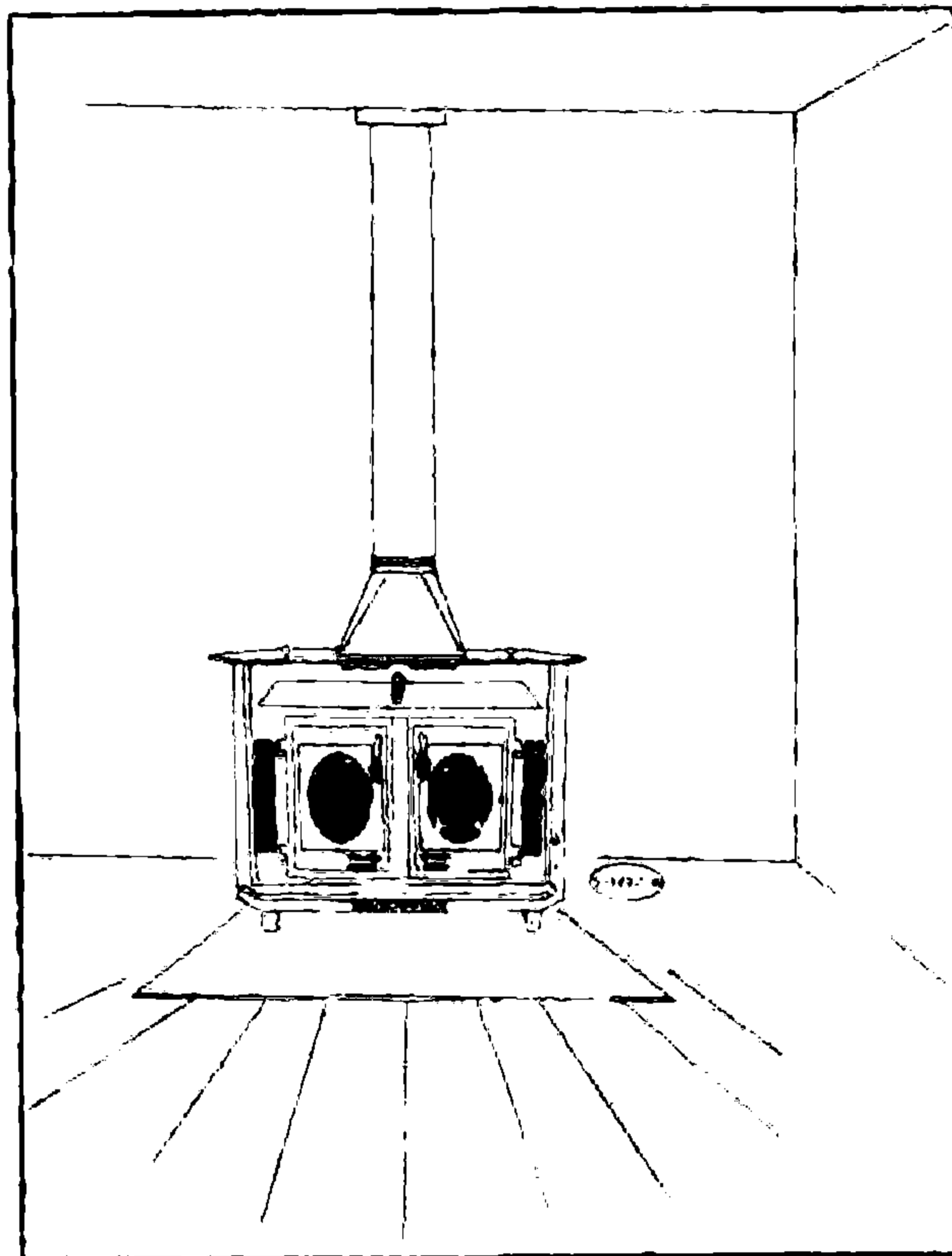


FIG. 10 — FREESTANDING STOVE

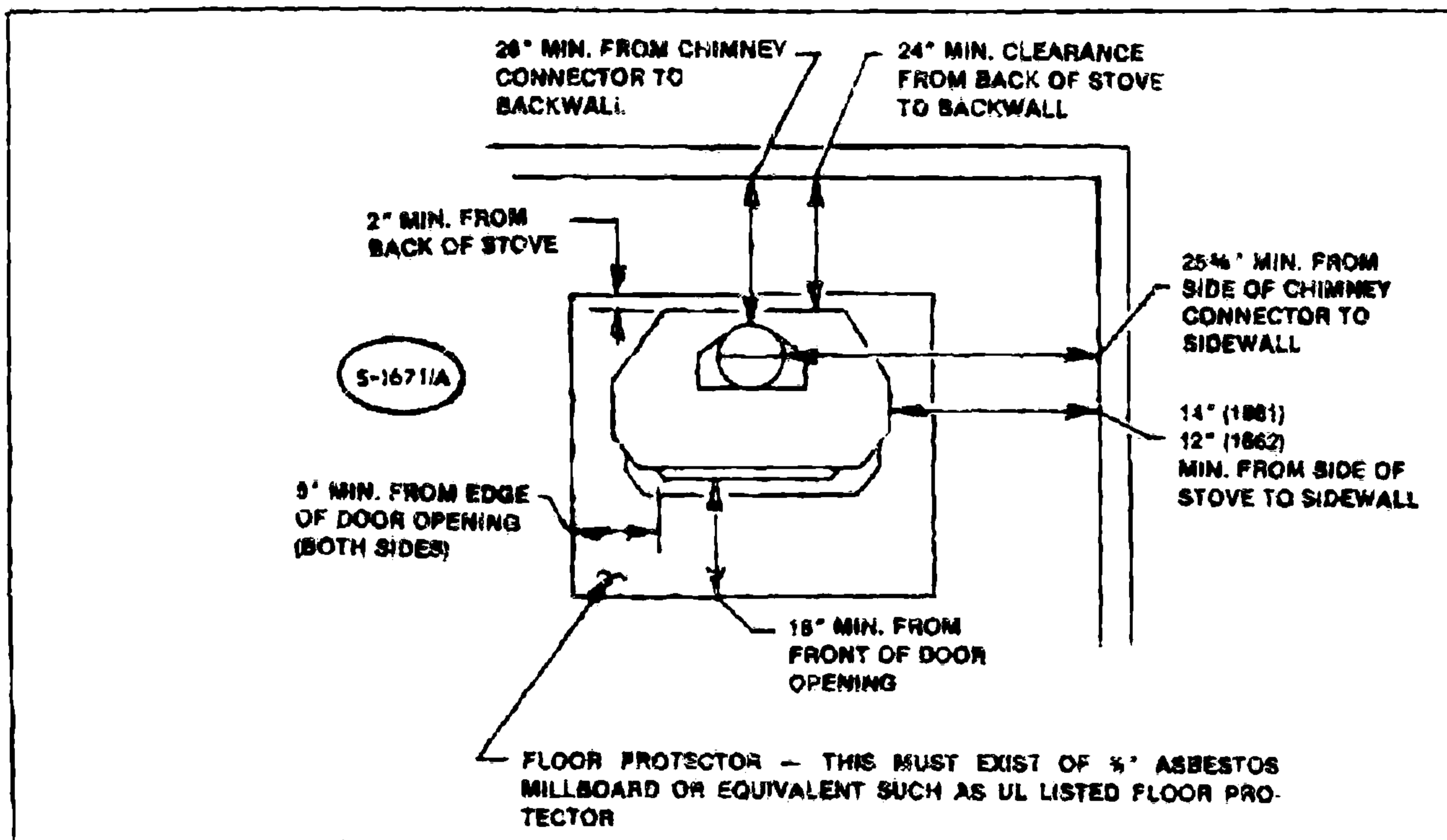


FIG. 11 — FREESTANDING STOVE CLEARANCES

OPERATION OF STOVES

CAUTION!
IMPROPER OPERATION OF STOVE CAN RESULT IN A HOUSE FIRE. OPERATE ACCORDING TO MANUFACTURERS INSTRUCTIONS.

The following are the controls and their functions. Please study these carefully before building any fire in your stove.

(See Figure 12 for control locations.)

DAMPER CONTROL — Pull out to close and push in to open damper.

DOOR HANDLES — Locked in the vertical position, doors open with the handle on the right door in the horizontal position.

FIRE SCREEN — Allows the stove to be operated with the doors swung completely open or removed. Mounts on top of the door hinge pins.

The Reversible fire screen can be hinged from the left or right side.

CAUTION!
IT IS ABSOLUTELY UNSAFE TO OPERATE THE STOVE WITH THE DOORS OPEN OR REMOVED WITHOUT THE FIRE SCREEN.

PRIMARY AIR INTAKE — Controls the intake of combustion air and consequently the firing rate of the fuel. The screw knobs are shown in the closed position in Figure 12.

Move to opposite end of slots for maximum air intake.

HOT AIR VENTS — Hot air is discharged through these vents by the thermostatically controlled electric blower system.

SWITCH — Determines the mode of the electric blowers. "Auto" automatic mode which allows the thermostats to switch the blowers on to "low" or "medium" speed. "Man" by-passes the thermostats and switches the blowers to "high speed". "Off" will turn the blowers off.

WARNING!
FIREPLACE STOVES EQUIPPED WITH DOORS SHOULD BE OPERATED ONLY WITH DOORS FULLY OPEN OR DOORS FULLY CLOSED. IF DOORS ARE LEFT PARTLY OPEN, GAS AND FLAME MAY BE DRAWN OUT OF THE FIREPLACE STOVE OPENING, CREATING RISKS FROM BOTH FIRE AND SMOKE.

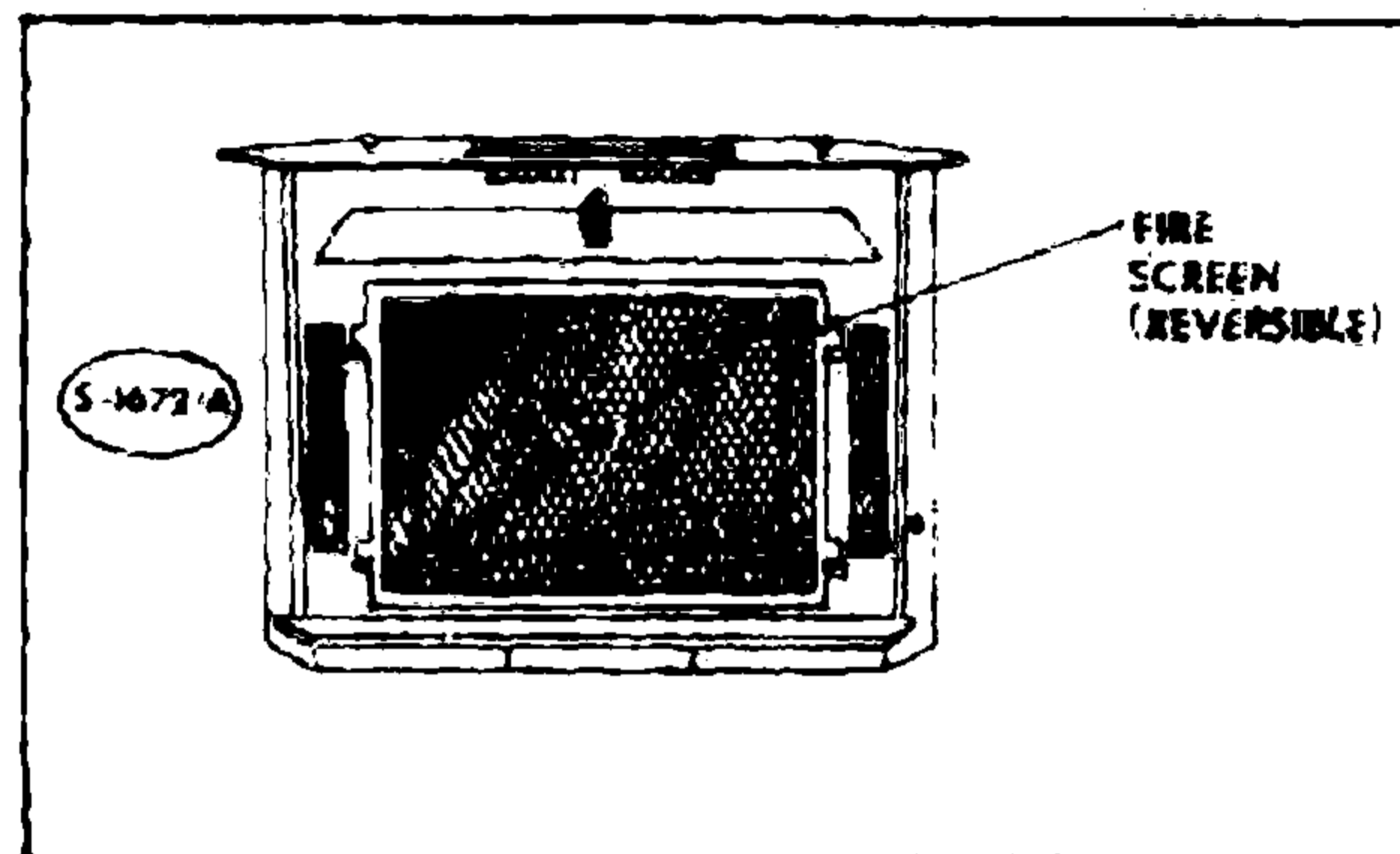
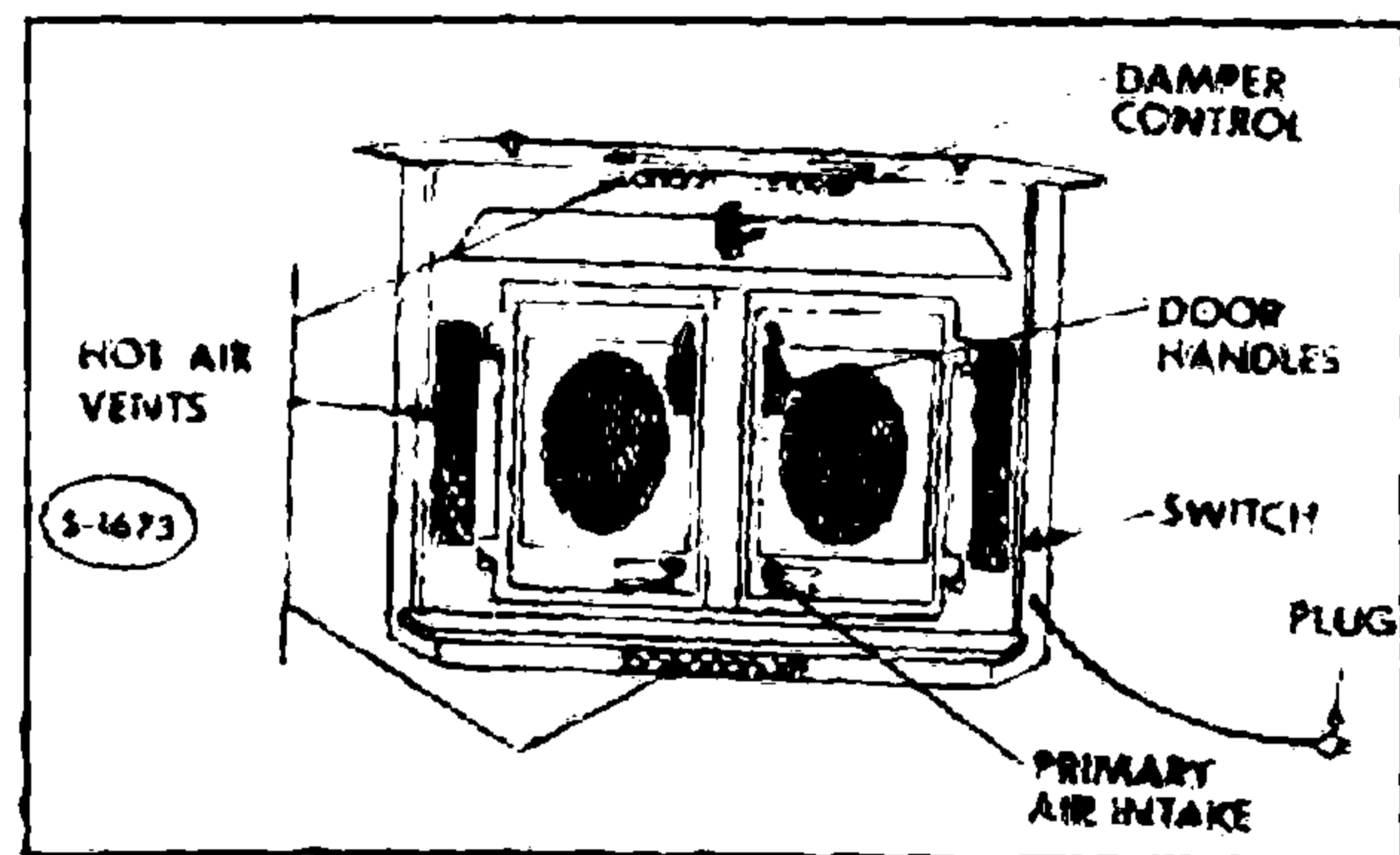


FIG. 12 — STOVE CONTROLS

BEFORE INITIAL FIRING

1. Remove any foreign material from the stove firebox.
2. Check the position of the log retainer. It should be centered in the bottom of the firebox with legs up and sloping down toward the rear.
3. Plug electrical cord into 115V AC outlet such that the cord will not be routed across the front or under the door.

NOTE: Provisions have been made to connect power cord to either right hand or left hand side by qualified service technicians. Refer to Figures 1B, 14 and 15 for proper wire connections.

4. Open the primary air intakes and damper to maximum open position.
5. Place a wad of newspaper in the stove, light it and close the doors. If the chimney draws properly, the paper will burn quickly with a roaring sound. Check for smoke leakage around the skirting. Open the doors and install the fire screen. If smoke escapes through the front of the fire screen, this usually indicates a defective chimney. If problem persists, contact your dealer.
6. **DO NOT** use grate or elevate fire — build wood fire directly on log retainer.

FIRING THE STOVE

1. **DO NOT** elevate fire. All fires are to be built directly on the integral log retainer. Elevated firing may damage the heater or otherwise cause a hazardous condition. It is never good to build extremely large fires as this only leads to fuel wastes and could possibly damage the appliance. Remember, your stove is designed to burn wood only.
2. To build a fire, begin with wadded-up newspaper placed on the integral log retainer. Place small pieces of dry wood on top of the paper for kindling.

One or two small logs placed on top of the kindling will suffice at first. After making sure that the unit's damper and air intakes are open, light the fire and close the doors. In a few minutes, you should have a good fire going. Once the logs have started to burn, slowly position the damper and primary air intake controls to obtain the rate of burn and temperature you desire. Remember, large or green logs will require more draft than small, dry logs.

CAUTION!

AFTER THE STOVE HAS BEEN FIRED, IT IS IMPORTANT TO OPEN THE DAMPER AND PRIMARY AIR INTAKE COMPLETELY FOR ONE MINUTE BEFORE OPENING THE DOORS. FAILURE TO DO SO CAN RESULT IN THE SUDDEN INRUSH OF AIR FROM OPENING THE DOORS, WHICH MAY CAUSE A SMALL EXPLOSION.

NOTE: **DO NOT** build a large fire until the stove paint has cured. This usually takes two or three firings and may produce a light smoke and odor. If this happens, open a window. This is a normal process and is not cause for alarm.

3. Knowledge of the type of wood to burn is a great asset. For the most efficient heating, use hard, dry wood. Although green wood will burn, it is harder to start and absorbs heat as it dries. For best results, let your wood season 8-9 months before burning.
4. **DISPOSAL OF ASHES**

Ashes should be placed in a metal container with a tight fitting lid. The closed container of ashes should be placed on a non-combustible floor or on the ground, well away from all combustible materials, pending final disposal. If the ashes are disposed of by burial in soil or otherwise locally dispersed, they should be retained in the closed container until all cinders have thoroughly cooled.

NOTE: If for some reason one blower stops, a reduction in air discharges through the hot air vents will be detected. The heat output of the stove can be maintained to some degree by operating it with only one blower and having the switch in the manual position.

MAINTENANCE

1. Creosote — Formation and Need for Removal:

When wood is burned slowly, it produces tar and other organic vapors, which combine with expelled moisture to form creosote. The creosote vapors condense in the relatively cool chimney flue of a slow-burning fire. As a result, creosote residue accumulates on the flue lining. When ignited, this creosote makes an extremely hot fire.

The chimney connector and chimney should be inspected at least twice monthly during the heating season to determine if a creosote buildup has occurred.

If creosote has accumulated, it should be removed to reduce the risk of a chimney fire.

2. Chimney Inspection and Cleaning:

Insert

To inspect creosote buildup in the fireplace with the unit in place — but not being used — hold a small mirror, angled upward, at the back of the insert firebox near the top. Shine a flashlight at the mirror. This should allow you to inspect for creosote by looking through the flue of the insert, and should give some indication if further inspection or cleaning is required.

For chimney cleaning, the unit must be removed to allow direct access to the fireplace and chimney.

To remove insert, make sure it is completely cool. Then unplug the power cord, open the doors, and pull on the lower lip of the firebox (be careful the doors don't close on your fingers). DO NOT pull on the doors, the skirting, or any other part of the insert, as this may damage or deform these parts.

Once the insert has been pulled out far enough, move the unit with help of another person.

The chimney may now be cleaned. You may contact a professional chimney sweep or, if you have the proper equipment, you may clean it yourself.

After the fireplace and flue are cleaned, the

insert may be relocated in the fireplace. Remember to push on the firebox ONLY. Push the insert until the insulation on the back of the sides and hood is snug against the fireplace opening. (Check installation procedures on previous pages.) Then plug it in. The fireplace insert is now ready for operation.

Freestanding Stove

Creosote buildup in the chimney connector of the freestanding stove may be inspected in the same manner as the insert. If any doubt remains after inspection by this method, disconnect the chimney connector and inspect it directly. If buildup has occurred, have the chimney connector cleaned immediately.

3. Glass Doors:

Inspect the glass regularly for cracks. If a break or crack occurs, return the door immediately for a replacement.

Door glass may be cleaned by a good oven cleaner or by opening the damper and primary air intakes. The resulting hotter fire will cut through even the heaviest deposits; the remaining ash can be removed with either glass cleaner or soap and water. If an oven cleaner is used, be sure no residue is left on the glass as the cleaner could stain it at the next firing. Residual oven cleaner may also damage the finish on plated metal surfaces.

4. Blower

It is recommended that once a year prior to the heating season that the blower wheel be cleaned and the blower motor oiled.

To clean the blower wheel and oil the motor, unplug stove from 115V outlet and remove the blower assembly from the heater, disassemble the blower wheel and motor from the housing. Remove the wheel from the motor and clean. Oil the motor, using a few drops of SAE 20 motor oil, through the oil cups on the front and rear of the motor.

Reassemble the motor and wheel, and install into housing. Reinstall into heater.

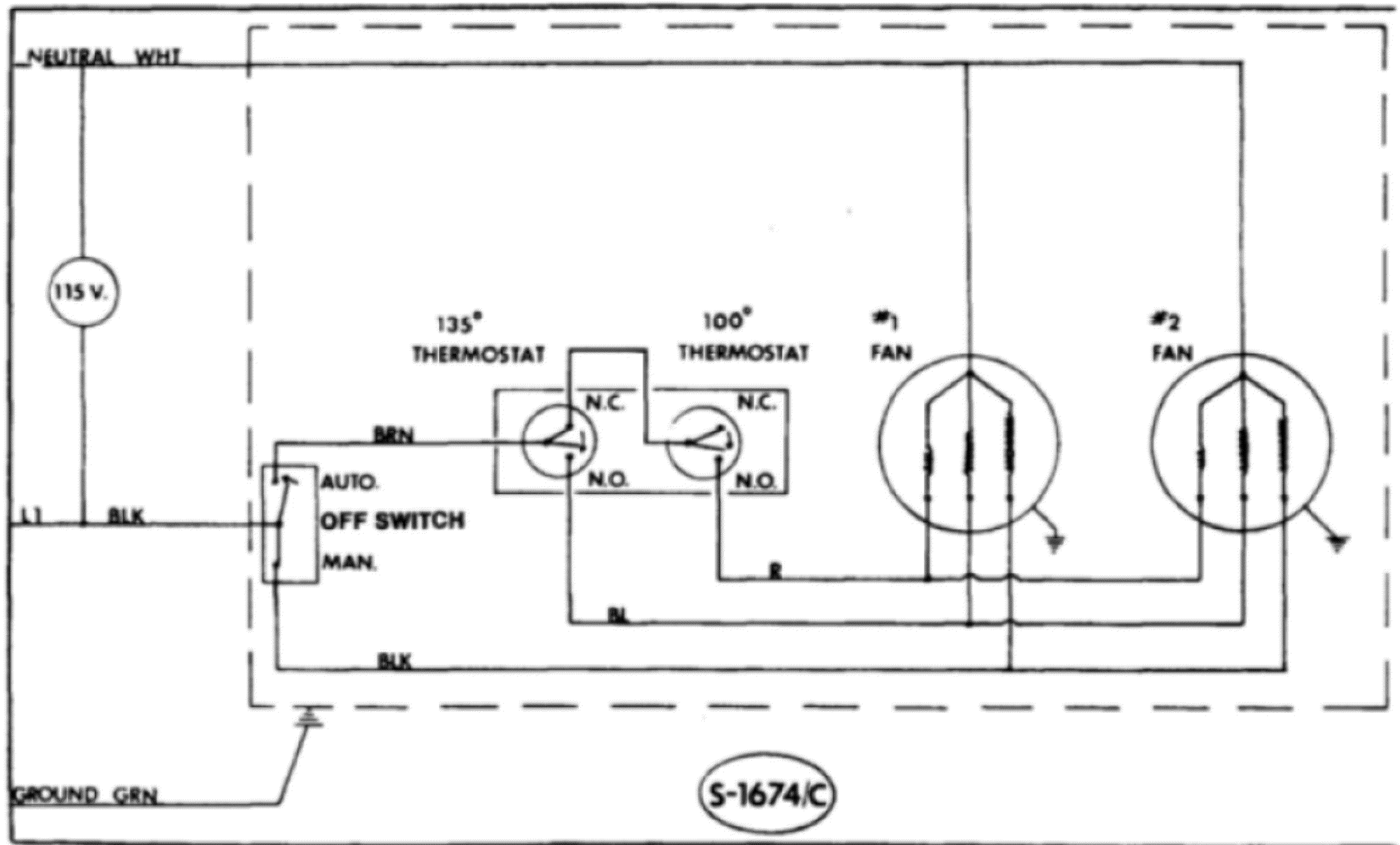


FIG. 13 — WIRING DIAGRAM

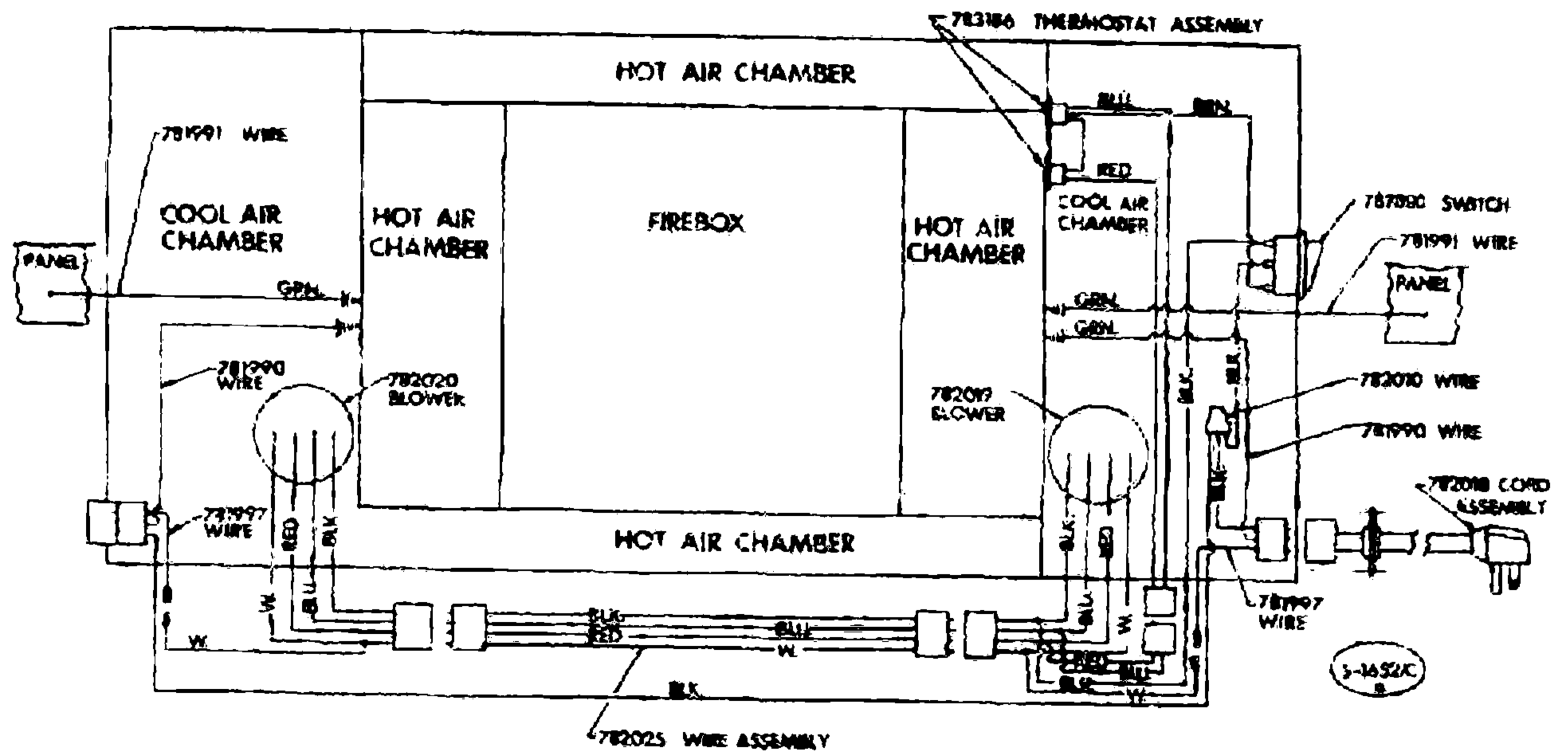


FIG. 14 — RIGHT HAND PLUG DIAGRAM

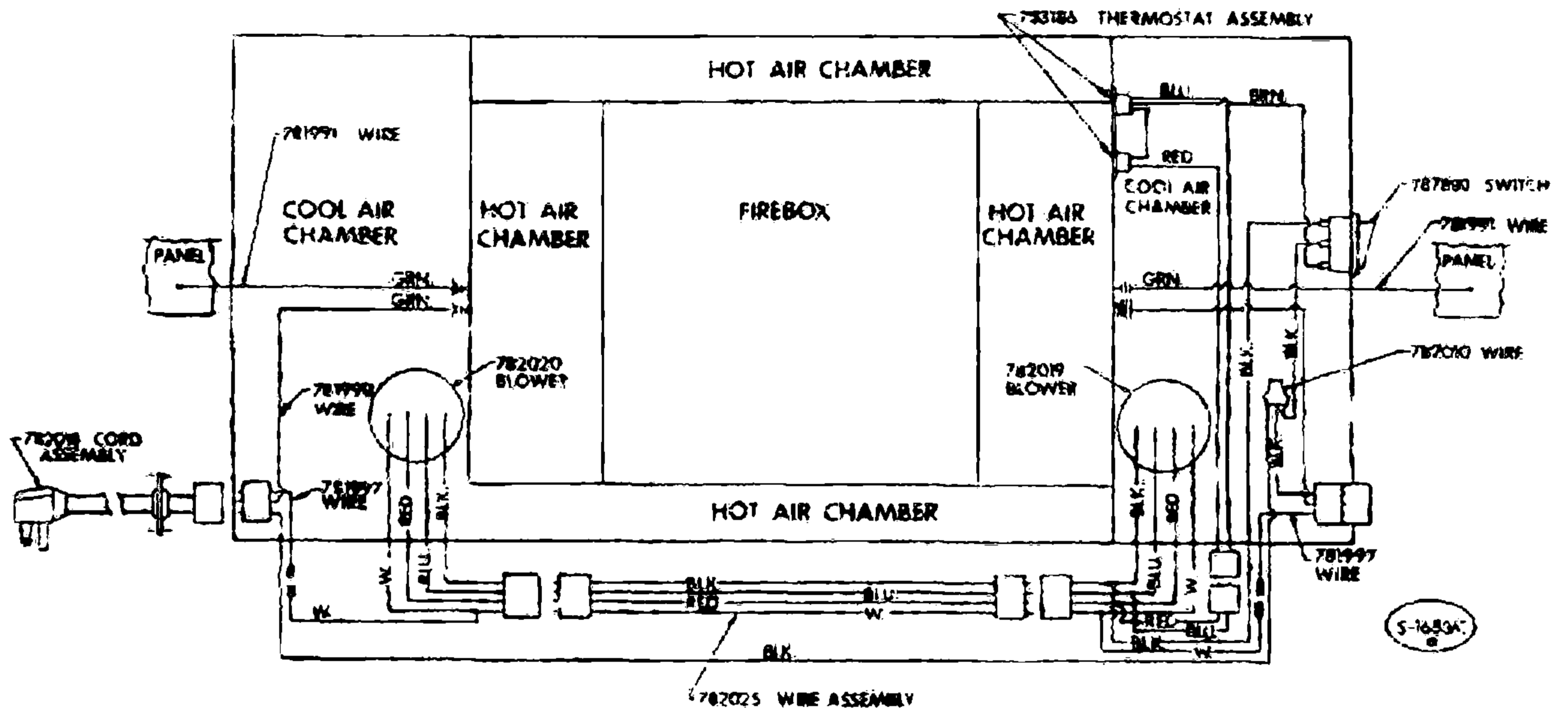


FIG. 15 — LEFT HAND PLUG DIAGRAM

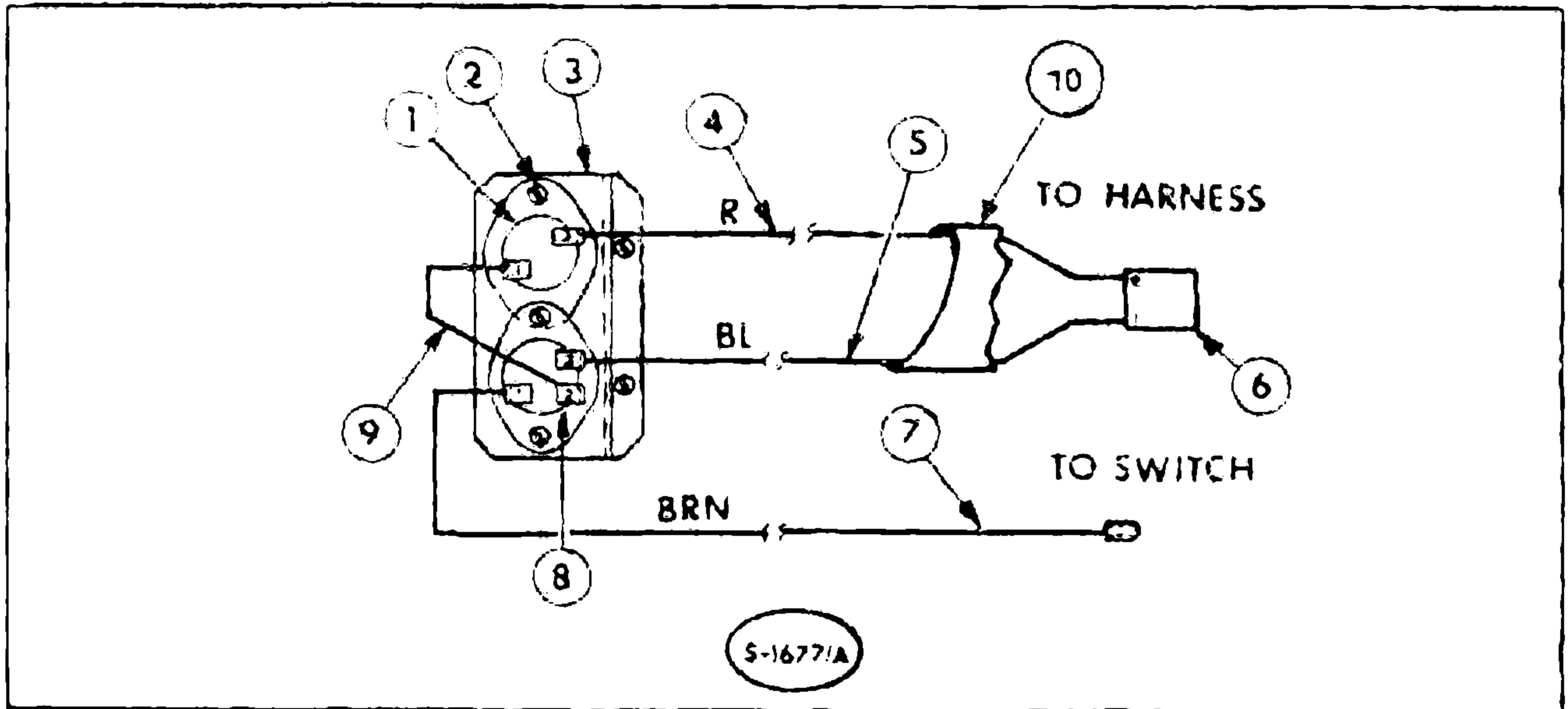


FIG. 18 — 783188 THERMOSTAT ASSY.

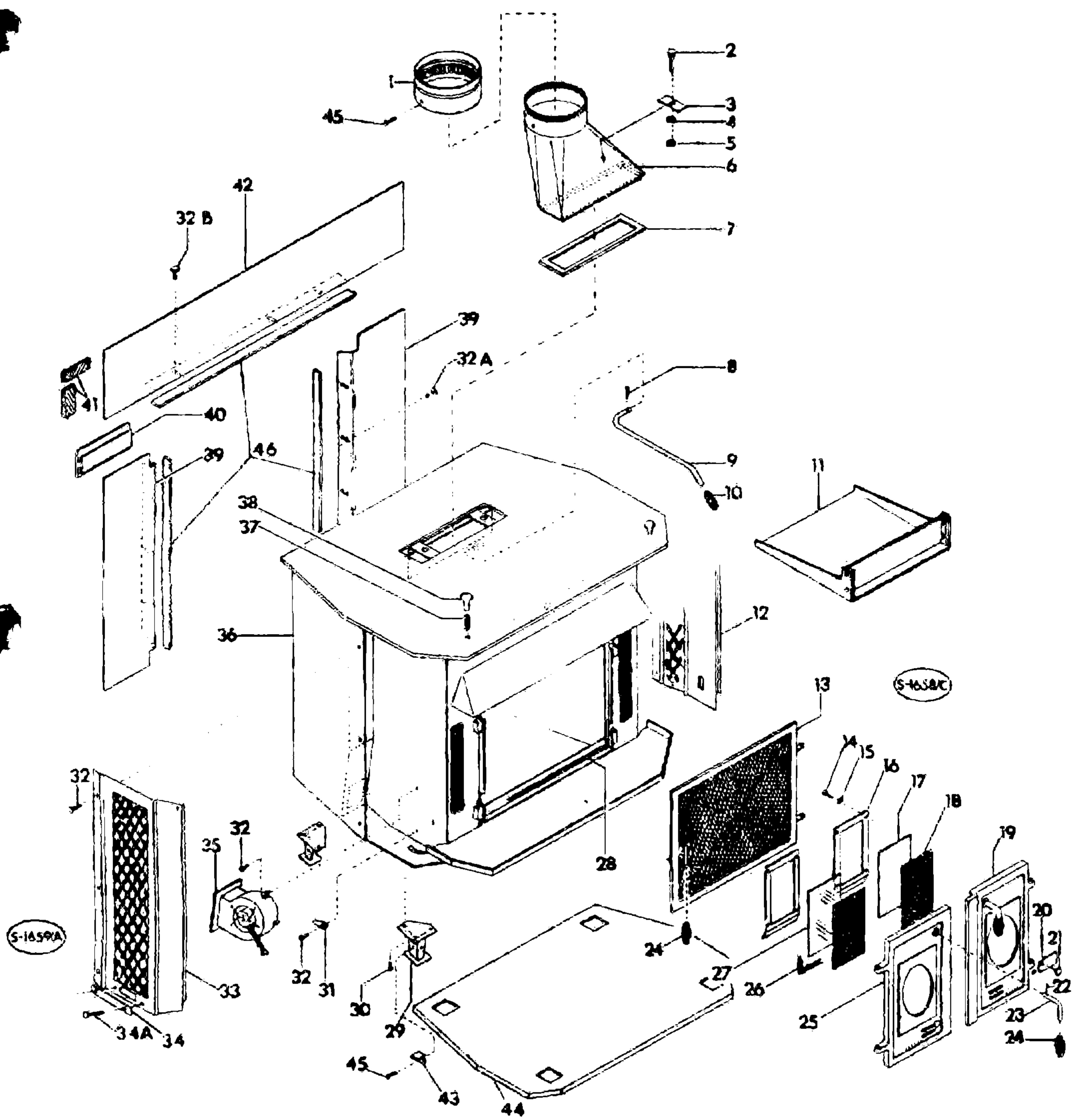
Det. No.	Part Number	Description	Qty.
1	779356	Thermostat (100°F)	1
2	40904-S8	Screw (#8-32 x 3/4)	3
3	778897	Brkt. Thermostat	1
4	782000	Wire Assy., Red	1
5	781999	Wire Assy., Blue	1
6	778096	Housing — 2 Circuit	1
7	782008	Wire Assy., Brown	1
8	779357	Thermostat (135°F)	1
9	778892	Wire Assy., Black	1
—	500048	Screw, Self Drill (10 x 1/2)	2
10	781988	Sleeving	1

PARTS INFORMATION

MODEL 1661 SERIAL NO. 13801 & UP

MODEL 1662 SERIAL NO. 20101 & UP

MODELS 1661, 1662 WOODBURNING STOVE

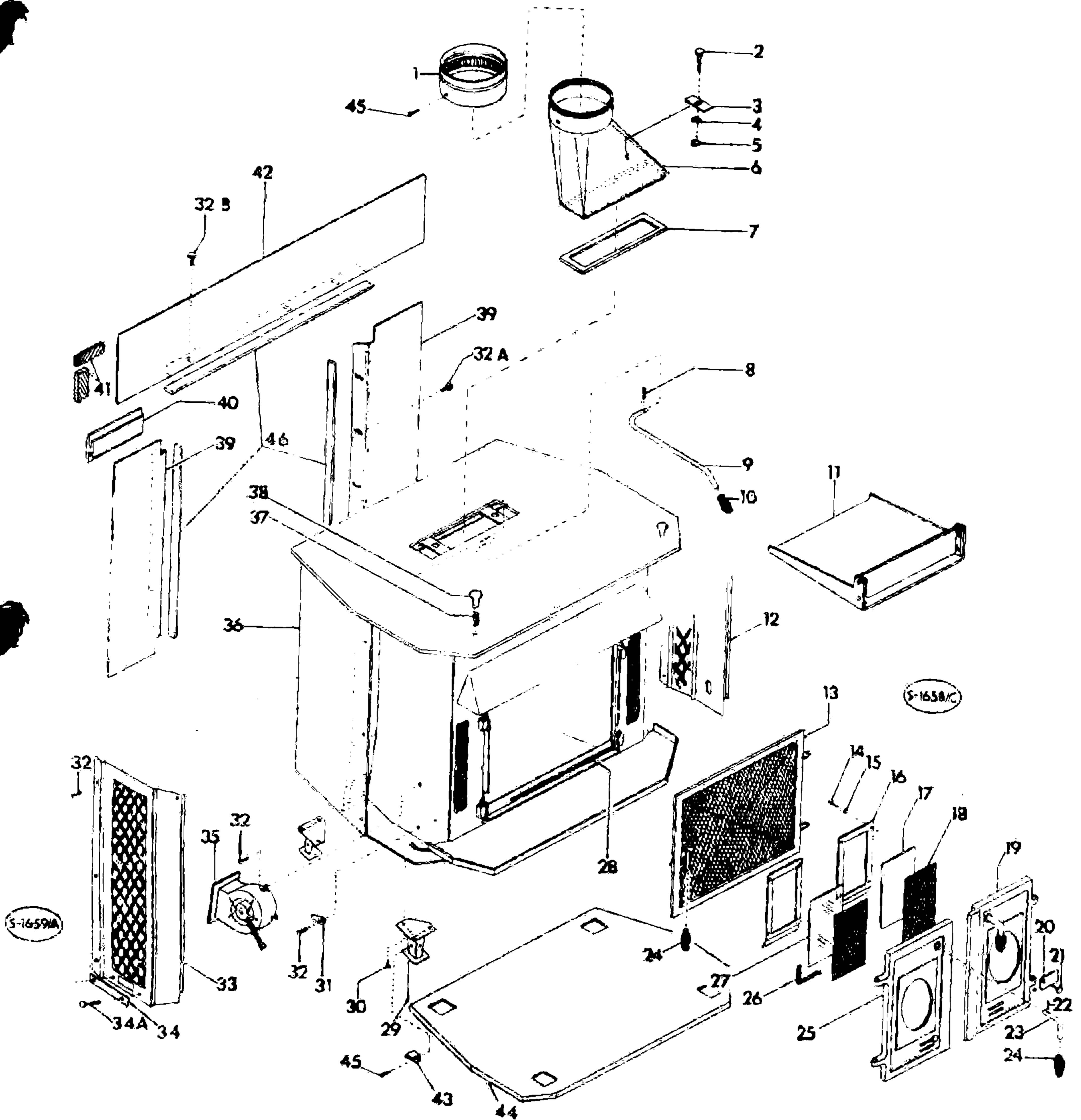


MODELS 1661, 1662 WOODBURNING STOVE

Del. No.	Part Number	Description	Qty.
1	778358	Adaptor - Dripproof, FSM	1
2	23498-S8	Bolt - Carriage (1/2-18 x 1 3/4) FSM	2
3	778359	Plate - Flue Support, FSM	2
4	34806-S7	Washer - Lock (7/16), FSM	2
5	33797-S8	Nut - Hex (7/16-18), FSM	2
6	778357	Transition - Flue, FSM	1
7	778193	Gasket - Flue, FSM	1
8	72035-S8	Pin - Cotter (1/2 x 1)	1
9	779343	Rod Assy. - Damper, w/Spring, 1661	1
—	779342	Rod Assy. - Damper, w/Spring, 1662	1
10	777964	Spring - Damper Control	1
11	782036	Rack - Log, 1661	1
—	782035	Rack - Log, 1662	1
12	778353	Vent, R.H., 1661	1
—	778355	Vent, R.H., 1662	1
13	778165	Screen Assy., 1661	1
—	778166	Screen Assy., 1662	1
14	54632-S8	Screw - Hex (10-24 x 3/4)	8
15	34803-S7	Washer - Lock (#10)	8
16	778153	Retainer, L.H. (1662)	1
—	779549	Retainer, R.H. (1662)	1
—	778853	Retainer, L.H. (1661)	1
—	779550	Retainer, R.H. (1661)	1
17	782300	Plate - Steel Insert	2
18	777630	Safety Screen	2
19	778489	Door Assy., R.H., 1661, Oval (Shown)	—
—	778490	Door Assy., R.H., 1662, Oval (Shown)	—
20	777119	Plate - Damper	2
21	777520	Screw - Damper	2
22	304076-S	Pin - Roll (1/2 x 1)	1
23	779444	Handle - Door	1
24	777141	Spring - Handle Grip	2
25	778020	Door, L.H., 1661, Oval (Shown)	—
—	777933	Door, L.H., 1662, Oval (Shown)	—
26	778107	Thermotape - Adhesive	2
27	782299	Glass - Door	2
28	777970	Thermotape - Door Seal	1
29	778152	Leg Assy., FSM	4
30	500091	Fastener - Thd. Forming (7/16-18 x 1/2) FSM	12
31	778225	Pl. Clamp	2

FSM — FREESTANDING MODEL ONLY

MODELS 1661, 1662 WOODBURNING STOVE (Cont'd.)

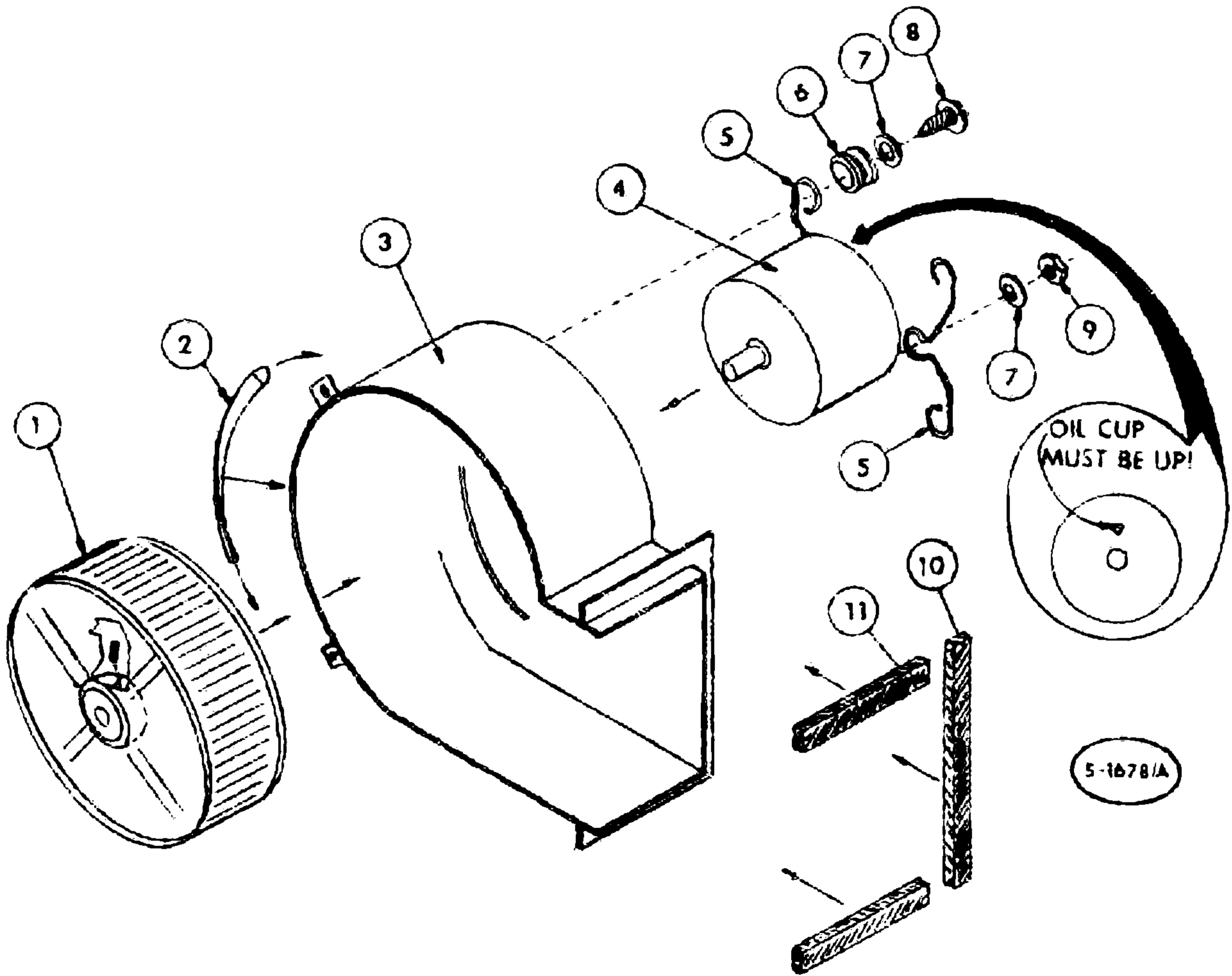


MODELS 1661, 1662 WOODBURNING STOVE (Cont'd.)

Det. No.	Part Number	Description	Qty.
32	500048	Screw - Self Drilling (10 x 1/2)	8
32A	735676	Screw - Self Drilling (10 x 3/4)	6
32B	762245	Screw - Self Drilling (#12-14 x 3/4)	4
—	778356	Vent, L.H. 1662	1
33	778354	Vent, L.H., 1661	1
34	782077	Plate	2
34A	40904-S8	Screw - Self Tap -8 x 1/8	4
35		Blower Assy. (See Page P-6)	1
36	778498	Stove Assy. Complete, 1661	1
—	778502	Stove Assy. Complete, 1662	1
37	301515-S	Screw - Allen Hd.	2
38	777538	Knob - Stove	2
41	778729	Insulation	A/R
43	779495	Clip - Heatshield	4
44	779483	Heatshield (1661)	1
—	779494	Heatshield (1662)	1
45	500048	Screw - Self Tapping (10 x 1/2)	4
46	779865	Gasket	A/R
47	778725	Sealer, Silicone (Not Shown)	A/R
—	778724	Kit, Brass Trim	—
—	778212	Kit, Flashing, 1661 - Fits Opening 28" H. x 39 1/4" W. (Includes Items 39, 40, 41, 42, 46, 47, 32A & 32B)	—
—	778213	Kit, Flashing, 1662 - Fits Opening 31" H. x 44 1/2" W. (Includes Items 39, 40, 41, 42, 46, 47, 32A & 32B)	—
—	779572	Kit, Flashing, 1662 - Fits Opening 37" H. x 54" W. (Includes Items 39, 40, 41, 42, 46, 47, 32A & 32B)	—
—	778473	Paint, Black Spray (3 oz.)	—
—	779360	Decal, Caution, Hot	1
—	786234	Label - Operation - CPSC	1

FSM — FREESTANDING MODEL ONLY

MODELS 1661, 1662 WOODBURNING STOVE (Cont'd.)



L.H. Blower Assy. Shown — For R.H. Blower Assy. Use 782012 Fan Motor Assy. and Rotate 180°


Det. No.	Part Number	Description	Qty.
1	778045	Wheel - Blower	1
2	777997	Strip - Fan Hsg. Edge	1
3	778100	Housing Assy. - Fan	1
4	782013	Motor Assy. - w/Plug, L.H.	1
	782012	Motor Assy. w/ Plug, R.H.	1
5	778033	Support - Motor	2
6	778032	Grommet - Motor Spl.	4
7	779359	Washer - Flat (#10)	6
8	735676	Screw - Self Drilling (#10 x 3/4)	4
9	55730-S8	Lock Nut - Hex	2
10	778038	Gasket - Long	1
11	778039	Gasket - Short	2
—	782020	Blower Assy., L.H.	1
—	782019	Blower Assy., R.H.	1

NUMERICAL INDEX


PART NO.	PAGE NO.
23498-S8	P-3
33797-S8	P-3
34803-S7	P-3
34806-S7	P-3
54632-S8	P-3
55730-S8	P-6
72035-S8	P-3
301515-S	P-5
304075-S	P-3
500048	P-5, 16
500091	P-3
50096	P-5
735676	P-5&6
777119	P-3
777141	P-3
777520	P-3
777530	P-5
777624	P-3
777628	15
777630	P-3
777933	P-3
777964	P-3
777965	P-3
777970	P-3
777997	P-6
778020	P-3
778032	P-6
778033	P-6
778038	P-6
778039	P-6
778045	P-6
778060	15
778077	P-5
778098	16
778100	P-6
778107	P-3
778118	15
778152	P-3
778153	P-3
778165	P-3
778186	P-3
778186	15
778187	P-6
778193	P-3
778212	P-5
778213	P-5
778215	P-5
778223	P-3
778225	P-3
778353	P-3
778354	P-5
778355	P-3
778356	P-5
778357	P-3
778358	P-3

PART NO.	PAGE NO.
778359	P-3
778473	P-5
778489	P-3
778490	P-3
778494	P-3
778496	P-3
778498	P-5
778725	P-5
778729	P-5
778853	P-3
778891	16
778892	16
778994	16
778997	16
778998	16
779342	P-3
779343	P-3
779356	16
779357	16
779359	P-6
779360	P-5
779444	P-3
779493	P-5
779494	P-5
779495	P-5
779549	P-3
779550	P-3
779563	P-3
779565	P-3
779567	P-3
779572	P-5
779579	P-3
779724	P-5
779865	P-5
781988	16
781990	15
781991	15
781999	16
782000	16
782006	16
782012	P-6
782013	P-6
782019	P-6
782020	P-6
782035	P-3
782036	P-3
782077	P-5
782245	P-5
782299	P-3
782300	P-3
783188	15, 16

IMPORTANT — READ CAREFULLY

This **SAFETY**  **ALERT SYMBOL** is intended to warn you of some potential hazard. You should look for it on your equipment and in this manual.

When the **SAFETY**  **ALERT SYMBOL** is seen, you should carefully read the warning that is printed beside or under it.

The **SAFETY**  **ALERT SYMBOL** is put on equipment and in this manual for your protection. **AVOID ACCIDENTS**

TO THE OWNER/OPERATOR

Your **WOODBURNING STOVE** is an investment which deserves the best in maintenance and service. Proper care will allow full return on this investment. Replace parts only with Manufacturer-approved replacements. Use of non-approved parts voids warranty.

LIMITED WARRANTY LONG WOODBURNING STOVE

The Manufacturer warrants that each new Woodburning Stove will be free from defects in material and workmanship, as follows:

- A. Glass parts are warranted only for a period of 30 days from original installation.
- B. Electrical components are warranted only for a period of one year from the date of installation of the stove.
- C. The remainder of the stove is warranted for a period of five years from the date of installation of the stove.

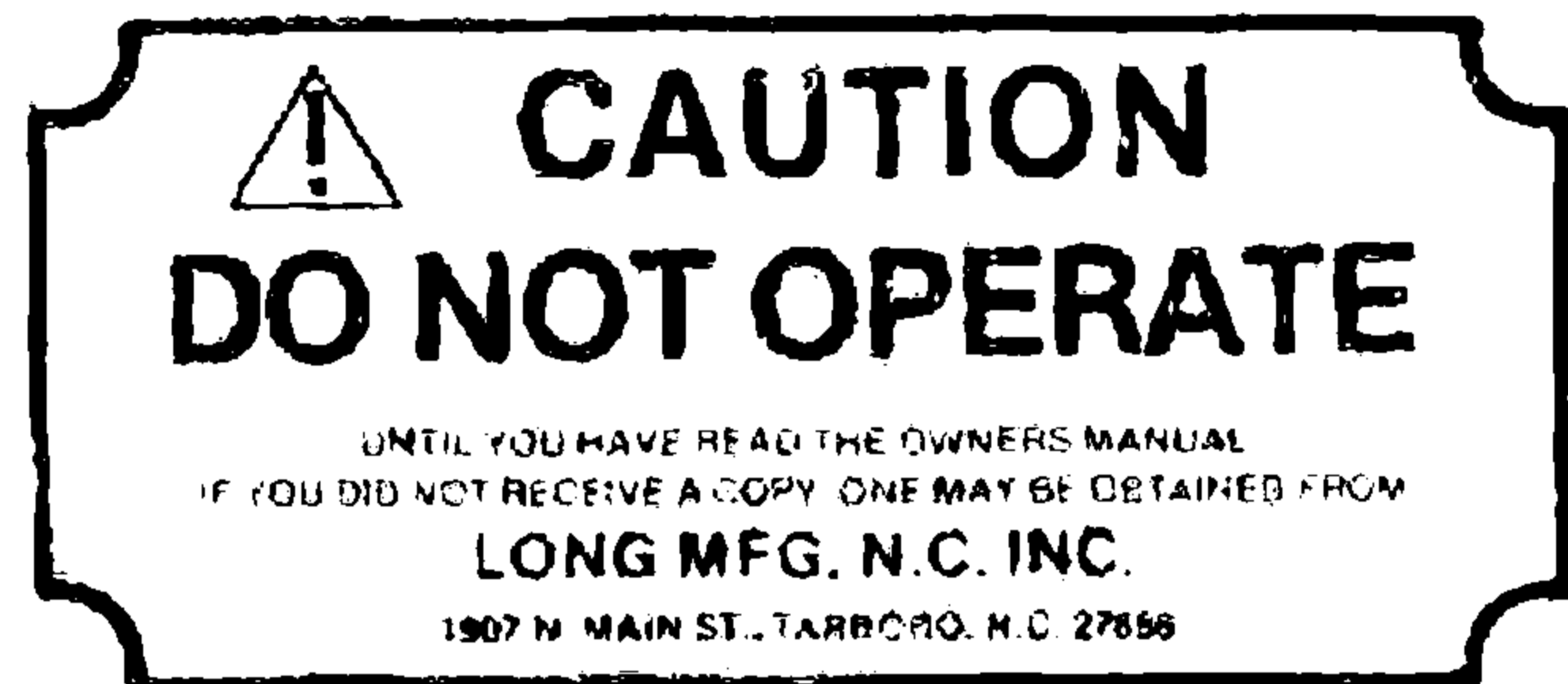
Repairs and replacements under this warranty may be obtained at no cost to the owner by returning the faulty component to an authorized dealer.

This warranty does not cover damage or failure caused by misuse, neglect, accident, lack of normal stove and chimney maintenance, or installations which are not in accord with the installation instructions and local fire and building codes.

Modifications to any stove component or installation not covered by this manual void the warranty and UL listing.

Specific desired changes in components and installation may be submitted to the Engineering Department, Long Mfg. N.C. Inc., Tarboro, N.C. In instances where safety, durability and service are not compromised, a written waiver will be issued for that specific installation.

No distributor, dealer, agent or employee of the manufacturer is authorized to extend, expand or alter this warranty. Any change to this warranty will be in writing by a duly elected officer of the manufacturer.



Record serial and model numbers here when applicable. Any communication regarding equipment must include these reference numbers.

SERIAL _____

MODEL _____

DATE of PURCHASE _____

The Model and Serial No. is located on the UL Label.

WARRANTY LIMITATIONS

IN NO EVENT WILL THE MANUFACTURER OR ITS DEALER BE LIABLE FOR ANY CONSEQUENTIAL OR INCIDENTAL DAMAGES, INCLUDING SPECIFICALLY, ANY DAMAGE TO THE PREMISES IN WHICH THE WOODBURNING STOVE IS USED, REGARDLESS OF THE REASON FOR OR CAUSE OF SUCH DAMAGE.

FURTHER, THE MANUFACTURER WILL NOT BE LIABLE UNDER THE IMPLIED WARRANTIES OF MERCHANTABILITY OR FITNESS FOR PARTICULAR USE UNDER THE UNIFORM COMMERCIAL CODE FROM AND AFTER THE EXPIRATION OF THE EXPRESSED WARRANTY PERIOD STATED ABOVE.

The right is reserved to make changes in products at any time without any obligation to notify to owner of any stove and without any obligation to change, modify or update the stoves previously manufactured.

This warranty describes the only remedy available to the purchaser except as may be otherwise allowed under the laws of certain states.

This warranty becomes effective on the date of retail sale as shown on the Warranty Registration Form supplied with each unit. This form must be completed and mailed at the time of purchase. In the event the form is missing, or if a warranty or service question cannot be answered by the selling dealer, contact:

LONG MFG. N.C. INC.
Director of Customer Service
Post Office Box 1159
Tarboro, N.C. 27886
Phone: (919) 823-4151