

IMPORTANT: THIS IS DATED INFORMATION. Parts must be ordered from a dealer or distributor. **Hearth and Home Technologies does not sell directly to consumers.** Provide model number and serial number when requesting service parts from your dealer or distributor.



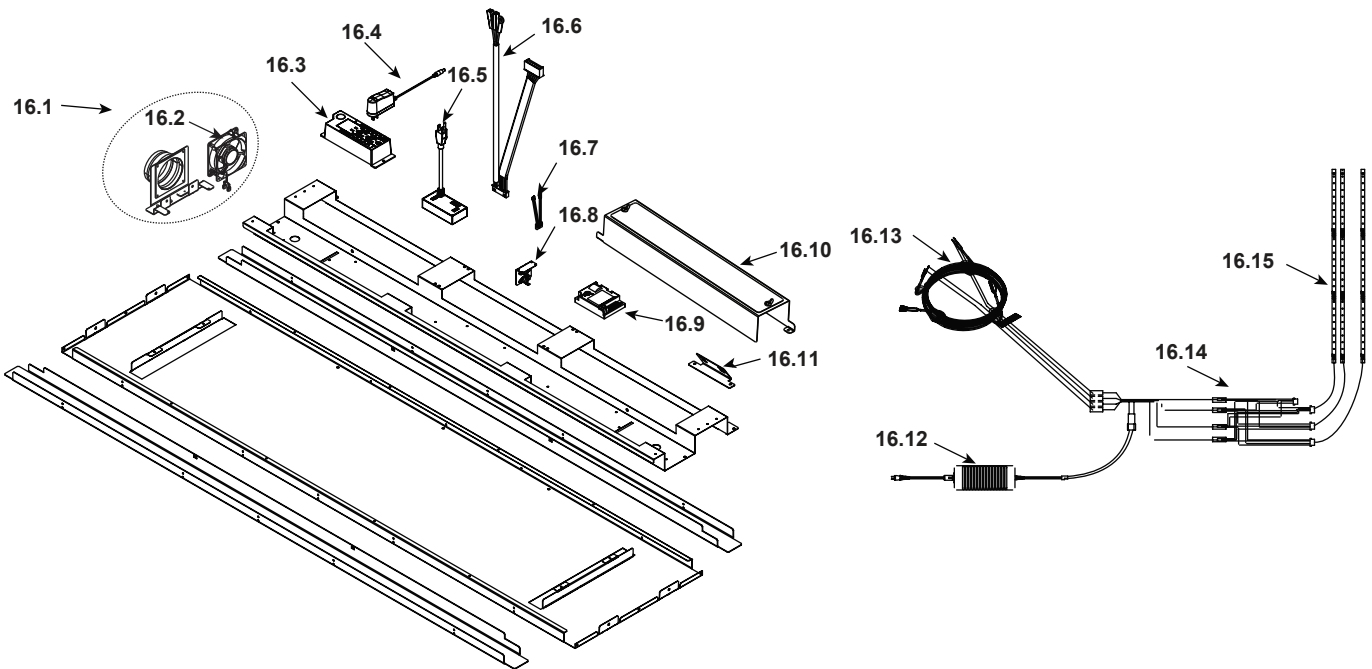
Stocked at Depot

ITEM	DESCRIPTION	COMMENTS	PART NUMBER	
1	Glass Latch Support Assembly	Qty 4 req	2155-045	Y
2	Pilot Shield		2159-173	
3	High Temp Limit Switch Assembly (For Fan)		046-018A	Y
4	Base Pan	Refer to following pages		
5	Mesh Clips	Pkg of 4	2155-184/4	Y
6	Glass Assembly		GLA-RED60	Y
7	Fire screen Door Assembly		SRV2159-012	
8	Bottom Face Plate		2159-112	
9	Panel Cover, Side		2155-140	
10	Bottom Base Assembly		SRV2159-024	
11	Burner Assembly NG/LP		2159-007	Y
12	Non Combustible Board	Right	2159-463	
13	Non Combustible Board	Qty 2 req	2159-462	
14	Non Combustible Board	Qty 2 req	2159-460	
15	Non Combustible Board	Left	2159-461	

No one builds a better fire

Beginning Manufacturing Date: Dec 2009
Ending Manufacturing Date: Feb 2014

#16 Control Assembly Pre 0022146101



IMPORTANT: THIS IS DATED INFORMATION. Parts must be ordered from a dealer or distributor. **Hearth and Home Technologies does not sell directly to consumers.** Provide model number and serial number when requesting service parts from your dealer or distributor.



**Stocked
at Depot**

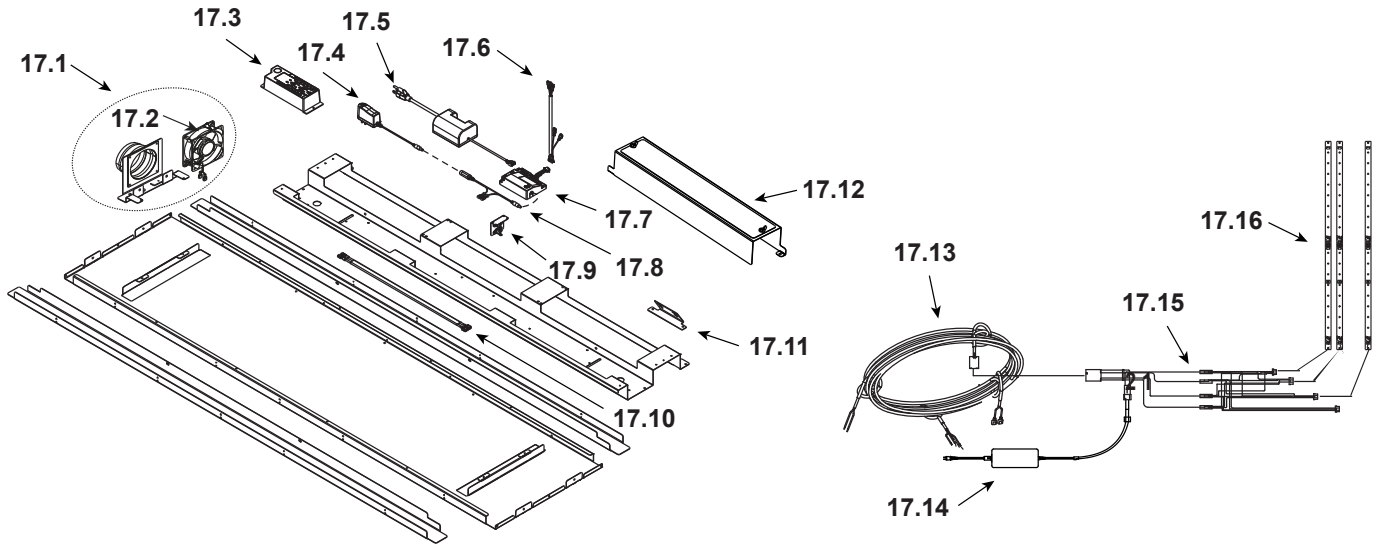
ITEM	DESCRIPTION	COMMENTS	PART NUMBER	
16.1	Fan Assembly with Bracket		2155-070	
16.2	Fan Assembly		705-567A	Y
16.3	Junction Box		SRV4021-013	Y
16.4	Transformer 6V	Use with PVI-DVP	SRV2326-131	Y
	Transformer 3V	Use with PVK-80	SRV593-593	Y
16.5	Power Supply (Use with PVI-DVP)	No longer available	2196-320	
16.6	Wire Assembly	Use with PVK-80	SRV593-590	Y
16.7	Wire Assembly (use with PVI-DVP)	No longer available	2196-311	
			2196-313	
16.8	High Limit Switch	Qty 2 req	514-530	Y
16.9	Control Module		SRV593-592	Y
16.10	Heat Shield, Module		2159-193	
16.11	Valve Bracket		2155-149	
16.12	Power Supply, 12 Volt DC/10A		2273-318	Y
16.13	LED Control Cable		2155-755	Y
16.14	LED Jumper Connections		2155-752	Y
16.15	LED Light Bar Assembly	Qty 3 req	2159-057	Y

Additional service part numbers on following page.

No one builds a better fire

Beginning Manufacturing Date: Dec 2009
Ending Manufacturing Date: Feb 2014

#17 Control Assembly Post 0022146101



IMPORTANT: THIS IS DATED INFORMATION. Parts must be ordered from a dealer or distributor. **Hearth and Home Technologies does not sell directly to consumers.** Provide model number and serial number when requesting service parts from your dealer or distributor.



Stocked at Depot

ITEM	DESCRIPTION	COMMENTS	PART NUMBER	
17.1	Fan Assembly with Bracket		2155-070	
17.2	Fan Assembly		705-567A	Y
17.3	Junction Box		SRV4021-013	Y
17.4	Transformer 6V		SRV2326-131	Y
17.5	Aux RC300		SRV2166-335	Y
17.6	Wire Harness		2159-304	Y
17.7	Control Module		2196-150	Y
17.8	Wall Switch Jumper wire		SRV2179-300	Y
17.9	High Limit Switch		046-020A	Y
17.10	Jumper Wire 36" Male/Female		2159-310	Y
17.11	Valve Bracket		2155-149	
17.12	Heat Shield, Module		2159-193	
17.13	LED Control Cable		2155-755	Y
17.14	Power Supply, 12 Volt DC/10A		2273-318	Y
17.15	LED Jumper Connections		2155-752	Y
17.16	LED Light Bar Assembly	Qty 3 req	2159-057	Y

Additional service part numbers on following page.

No one builds a better fire

Beginning Manufacturing Date: Dec 2009
Ending Manufacturing Date: Feb 2014

IMPORTANT: THIS IS DATED INFORMATION. Parts must be ordered from a dealer or distributor. **Hearth and Home Technologies does not sell directly to consumers.** Provide model number and serial number when requesting service parts from your dealer or distributor.



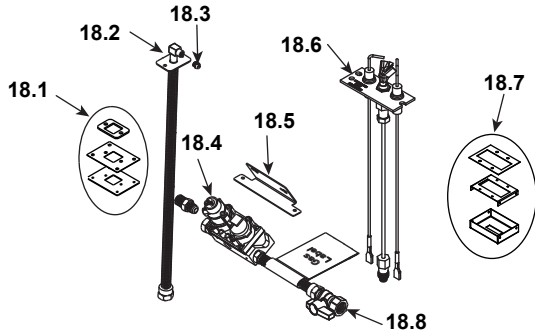
**Stocked
at Depot**

ITEM	DESCRIPTION	COMMENTS	PART NUMBER	
	Dual Wall Switch Plate		2155-511	
	Fiberglass Rope		060-455	
	Flexible Duct Connector 8 FT		2155-360	
	Grill Panel		2155-150	
	Hood Clips	Pkg of 24	047-805-24	Y
	Jumper Wire 2 in 1/4 F to 1/4 F	Qty 2 req	2155-033	Y
	Jumper Wire 3/16 F to 1/4 F		2155-035	Y
	Jumper Wire 3/16 M to 1/4 F		2155-034	Y
	Touch Up Paint		TUP-GBK-12	
	Vent Assembly		2159-072	
	Wall Switch		WSK-21-W	
	Wall Switch Wire		062-550	
	Wire Harness 20 inch Female		107-559A	Y
	Conversion Kit NG		NGK-RED60	Y
	Conversion Kit LP		LPK-RED60	Y
	Pilot Orifice NG		SRV593-528	Y
	Pilot Orifice LP		SRV593-527	Y
	Regulator NG		SRVNGK-DXV	Y
	Regulator LP		SRVLPK-DXV	Y
PVI-DVP Only				
	PV Wire Harness	10 ft	PVI-WH10	
		20 Ft	PVI-WH20	
		40 Ft	PVI-WH40	
		60 FT	PVI-WH60	
		80 Ft	PVI-WH80	
		100 Ft	PVI-WH100	
	Blower Assembly		2196-025	
	Pressure Switch		2196-326	Y
PVK-80 Only				
	Cord Assembly		2159-314	Y
	Wire Harness, 30" Male to Female		2159-315	Y
	Blower Assembly		655-500	
	Pressure Switch		2196-326	Y

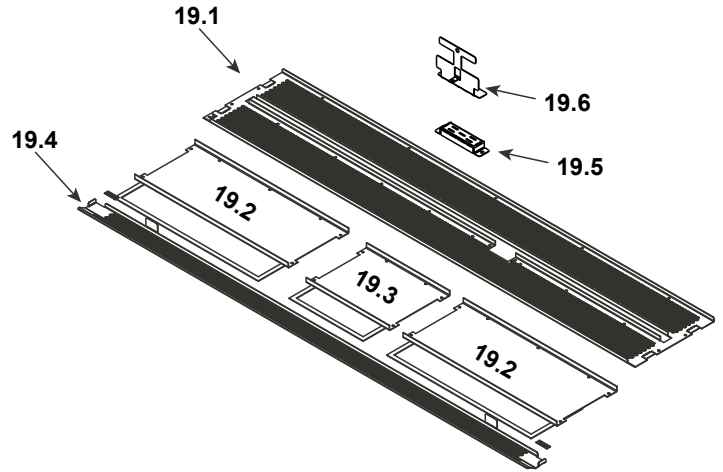
Unique service parts by model on following page.

No one builds a better fire

#18 Valve Assembly



#19 Base Pan -- Media/No Lights Option



IMPORTANT: THIS IS DATED INFORMATION. Parts must be ordered from a dealer or distributor. **Hearth and Home Technologies does not sell directly to consumers.** Provide model number and serial number when requesting service parts from your dealer or distributor.



**Stocked
at Depot**

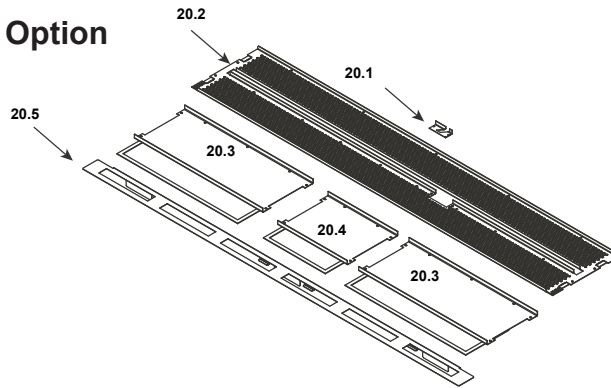
ITEM	DESCRIPTION	COMMENTS	PART NUMBER	
18.1	Orifice Bracket Assembly		2155-044	
18.2	18" Flex Tube Assembly		530-302A	Y
18.3	Orifice NG (#30C)		582-830	Y
	Orifice LP (#47C)		582-847	Y
18.4	Valve NG		750-500	Y
	Valve LP		750-501	Y
18.5	Valve Bracket		2155-149	
18.6	Pilot Assembly NG		SRV2090-012	Y
	Pilot Assembly LP		2090-013	Y
18.7	Pilot Bracket Assembly		2155-049	
18.8	Flex Ball Valve Assembly		SRV302-320	Y
RED60-NWN or RED60-NWN-80(No lights, White Rock, No Refractory)		RED60-NON or RED60-NON-80(No lights, Onyx, No Refractory)		
RED60-NWG or RED60-NWG-80(No lights, White Rock, Granite)		RED60-NOG or RED60-NOG-80(No lights, Onyx, Granite)		
RED60-NWP or RED60-NWP-80(No lights, White Rock, Porcelain)		RED60-NOP or RED60-NOP-80(No lights, Onyx, Porcelain)		
19	Base Pan No Media Option		2159-026	
19.1	Base Pan		2159-151	
19.2	Bottom Plate (Left or right)	Qty 2 req	2159-161	
19.3	Bottom Plate (Middle)		2155-161	
19.4	Access Panel Assembly		2159-065	
19.5	Pilot Cover		2155-171	
19.6	Rock Placement Jig		2155-170	
	Rock	No longer available	MEDIA-WHITE60	
		No longer available	MEDIA-ONYX60	
	Refractory	No longer available	GR60-L	
		Porcelain	POR60-L	

Additional service part numbers on following page.

No one builds a better fire

Beginning Manufacturing Date: Dec 2009
Ending Manufacturing Date: Feb 2014

#20 Base Pan -- No Media- No Lights Option



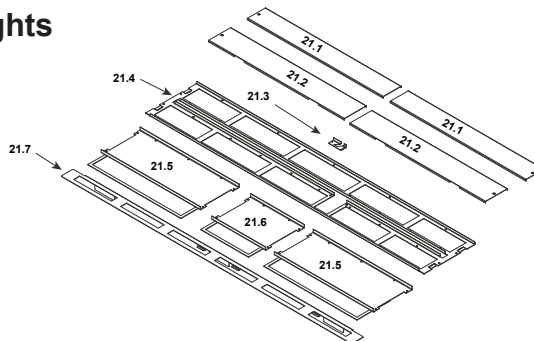
IMPORTANT: THIS IS DATED INFORMATION. Parts must be ordered from a dealer or distributor. **Hearth and Home Technologies does not sell directly to consumers.** Provide model number and serial number when requesting service parts from your dealer or distributor.



Stocked at Depot

ITEM	DESCRIPTION	COMMENTS	PART NUMBER
RED60-NNN (No lights, No Rock, No Refractory)		RED60-NNN-80 (No lights, No Rock, No Refractory)	
RED60-NNP (No lights, No Rock, Porcelain)		RED60-NNP-80 (No lights, No Rock, Porcelain)	
20	Base Pan No Media Option		2159-028
20.1	Burner Insert	NG Only	2159-160
20.2	Base Pan		2159-152
20.3	Bottom Plate (Left or right)	Qty 2 req	2159-161
20.4	Bottom Plate (Middle)		2155-161
20.5	Access Panel		2159-136
	Metal Refractory		SMR-60NL
	Porcelain Refractory		POR-60F

#21 Base Pan -- No Media- No Lights W/Granite Option



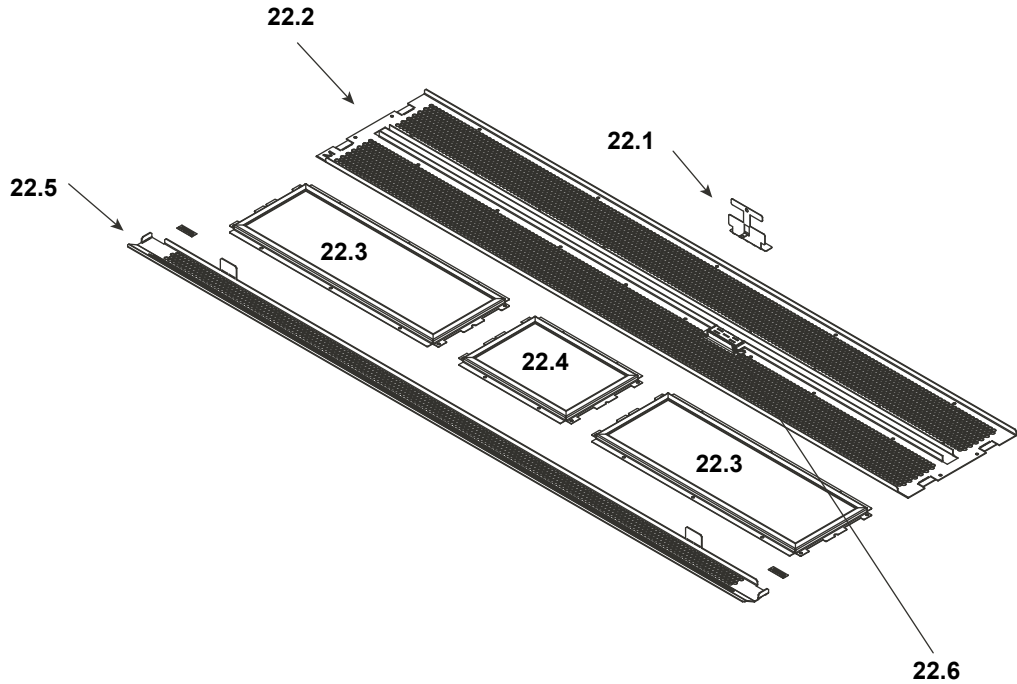
RED60-NNG (No lights, No Rock, Granite)		RED60-NNG-80 (No lights, No Rock, Granite)	
21	Base Pan No Media W/Granite		2159-030
21.1	Base Plate Inner Back	Qty 2 req	2159-133
21.2	Mesh Plate Inner Front	Qty 2 req	2159-132
21.3	Burner Insert	NG Only	2159-160
21.4	Base Pan		2159-134
21.5	Bottom Plate (Left or right)	Qty 2 req	2159-161
21.6	Bottom Plate (Middle)		2155-161
21.7	Access Panel		2159-136
	Granite Refractory	No longer available	GR60-F

Additional service part numbers on following page.

No one builds a better fire

Beginning Manufacturing Date: Dec 2009
Ending Manufacturing Date: Feb 2014

#22 Base Pan -- Media With Lights Option



IMPORTANT: THIS IS DATED INFORMATION. Parts must be ordered from a dealer or distributor. **Hearth and Home Technologies does not sell directly to consumers.** Provide model number and serial number when requesting service parts from your dealer or distributor.



Stocked at Depot

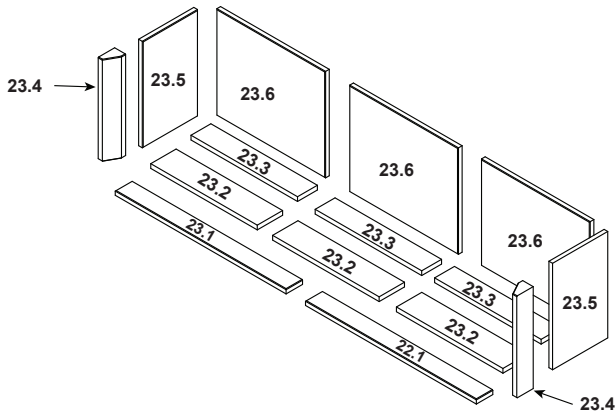
ITEM	DESCRIPTION	COMMENTS	PART NUMBER	
	RED60-LRP or RED60-LRP-80(Lights, Red Rock, Porcelain)		RED60-LGP or RED60-LGP-80 (Lights, Green Rock, Porcelain)	
	RED60-LRN or RED60-LRN-80(Lights, Red Rock, No Refractory)		RED60-LGN or RED60-LGN-80 (Lights, Green Rock, No Refractory)	
	RED60-LRG or RED60-LRG-80(Lights, Red Rock, Granite)		RED60-LGG or RED60-LGG-80(Lights, Green Rock, Granite)	
	RED60-LCG or RED60-LCG-80 (Lights, Clear Rock, Granite)		RED60-LBP or RED60-LBP-80(Lights, Deep Blue Rock, Porcelain)	
	RED60-LCN or RED60-LCN-80 (Lights, Clear Rock, No Refractory)		RED60-LBN or RED60-LBN-80(Lights, Deep Blue Rock, No Refractory)	
	RED60-LCP or RED60-LCP-80 (Lights, Clear Rock, Porcelain)		RED60-LBG or RED60-LBG-80(Lights, Deep Blue Rock, Granite)	
22	Base Pan with Media		2159-027	
22.1	Rock Placement Jig		2155-170	
22.2	Base Pan		2159-151	
22.3	Glass Assembly, Lights Left or Right	Qty 2 req	2159-019	
22.4	Glass Assembly, Lights, Middle		2155-019	
22.5	Access Panel Assembly		2159-065	
22.6	Pilot Cover		2155-171	
	On/Off Switches	Lighted Units Only	2155-204	Y
	Rock	No longer available	MEDIA-RED60	
		No longer available	MEDIA-CLEAR60	
		No longer available	MEDIA-GREEN60	
		No longer available	MEDIA-BLUE60	
	Refractory	No longer available	GR60-L	
		No Refractory (Qty 2)	2159-240	
		Porcelain	POR60-L	

Additional service part numbers on following page.

No one builds a better fire

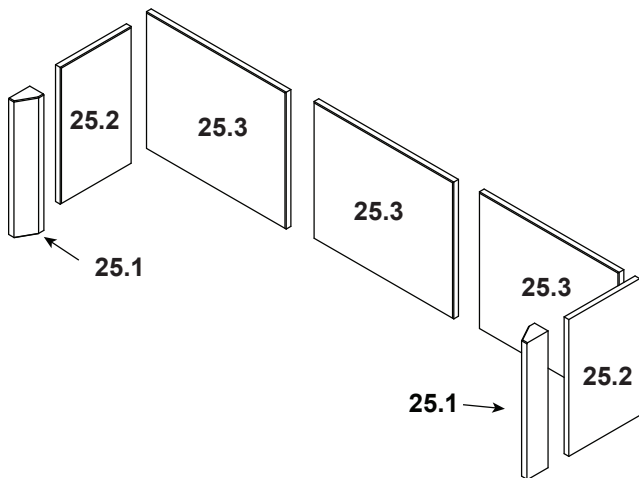
Beginning Manufacturing Date: Dec 2009
Ending Manufacturing Date: Feb 2014

#23 Granite -- No Media



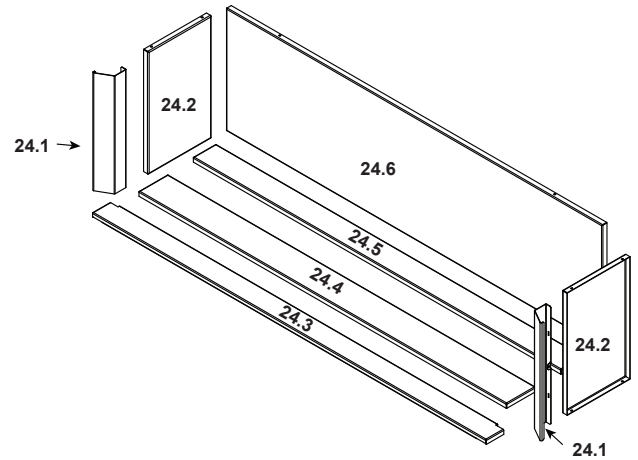
ITEM	DESCRIPTION	PART NUMBER
23	Refractory Kit, No longer available	GR60-F
23.1	Outer Bottom Panel (Qty 2 req)	2159-217
23.2	Bottom Front Panel (Qty 3 req)	2159-215
23.3	Bottom Back Panel (Qty 3 req)	2159-216
23.4	Front Corner Panel (Qty 2 req)	2159-214
23.5	Panel Side (Qty 2 req)	2159-210
23.6	Back Panel (Qty 3 req)	2159-209

#25 Granite -- With Media



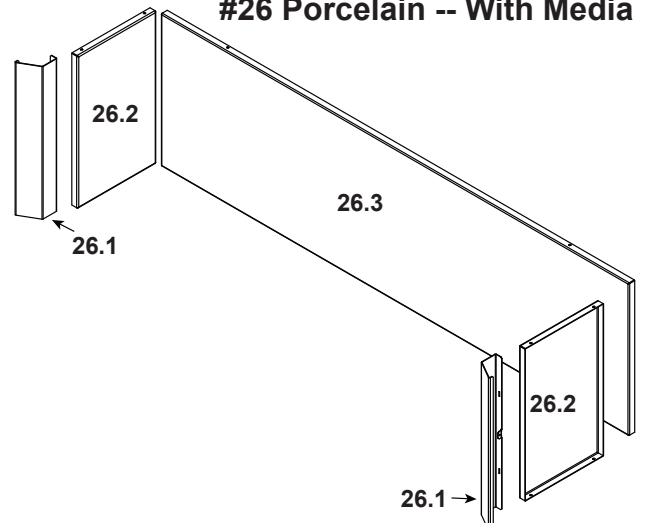
ITEM	DESCRIPTION	PART NUMBER
25	Refractory Kit, No longer available	GR60-L
25.1	Side Panel (Qty 2 req)	2159-211
25.2	Panel Side (Qty 2 req)	2159-210
25.3	Back Panel (Qty 3 req)	2159-209

#24 Porcelain -- No Media



ITEM	DESCRIPTION	PART NUMBER
24	Refractory Kit	POR60-F
24.1	Front Corner Panel (Qty 2 req)	2159-229
24.2	Panel Side (Qty 2 req)	2159-223
24.3	Outer Bottom Panel	2159-226
24.4	Bottom Front Panel	2159-224
24.5	Bottom Back Panel	2159-225
24.6	Back Panel	2159-222

#26 Porcelain -- With Media



ITEM	DESCRIPTION	PART NUMBER
26	Refractory Kit	POR60-L
26.1	Side Panel (Qty 2 req)	2159-219
26.2	Panel Side (Qty 2 req)	2159-223
26.3	Back Panel	2159-222