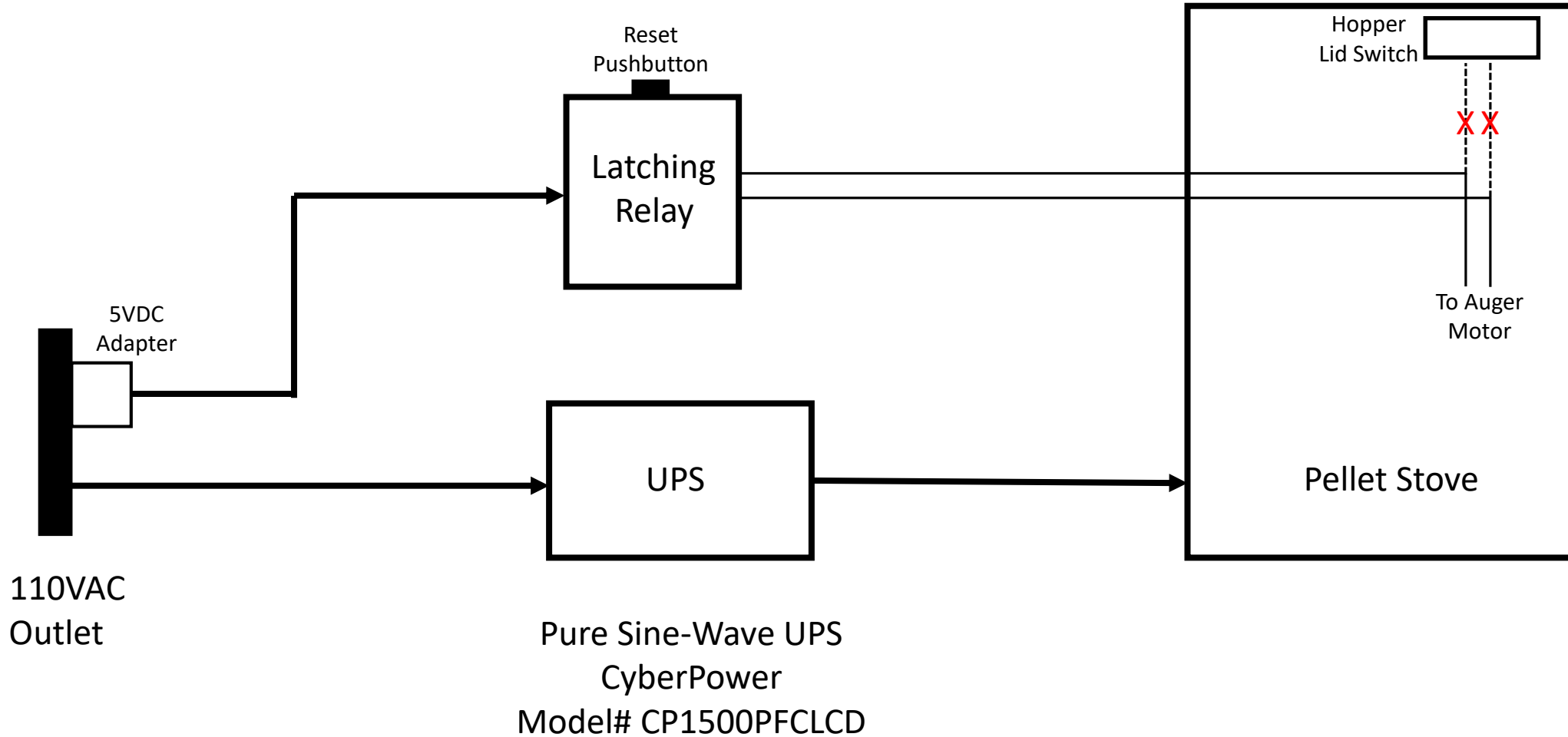
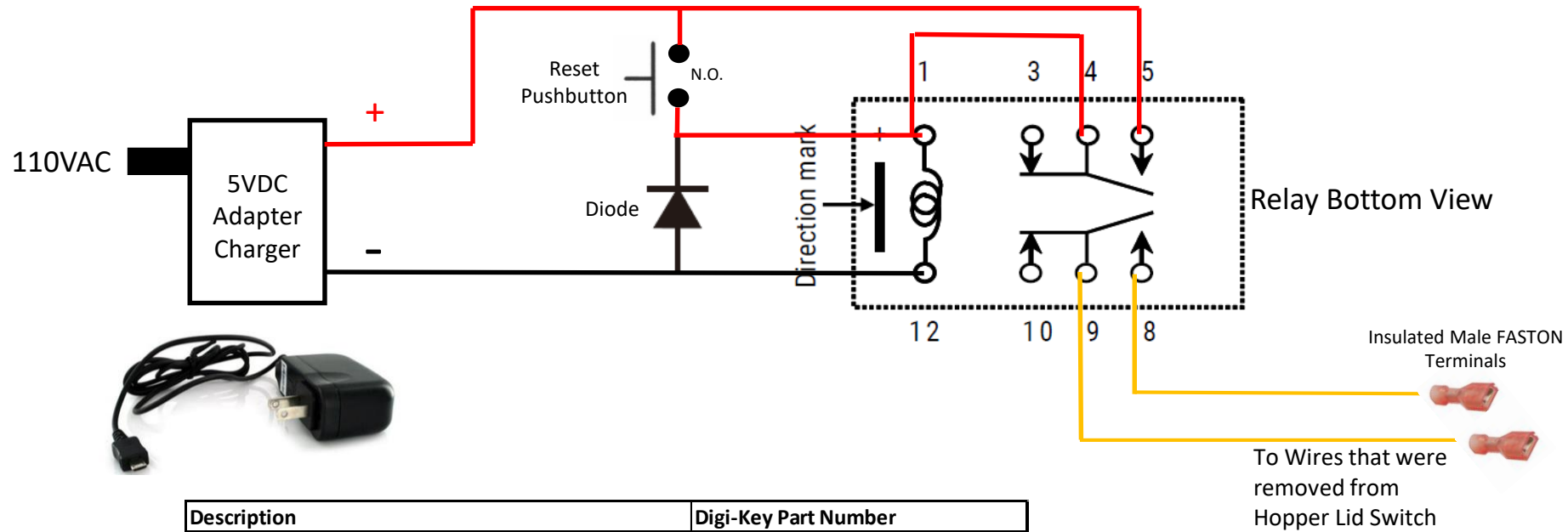


Auto Shutdown of Pellet Stove During 110VAC Power Failure

If the AC power fails, the latching relay contacts open, and the auger motor is stopped. The UPS continues to power the combustion fan of the stove, long enough, until the remaining pellets in the fire pot burn off, preventing any backdraft of smoke into the house. When power returns, the reset button must be pressed to restart the stove.



Auto Shutdown of Pellet Stove During 110VAC Power Failure



Description	Digi-Key Part Number
Relay, DPDT, 5V coil, 2A 250VAC contacts	399-11052-5-ND
Plastic box with lid	377-2068-ND
Diode, 1A 50V, 1N4001	641-1310-1-ND
Pushbutton Switch N.O. (ON when pushed)	538PB-ND
AC/DC WALL MOUNT ADAPTER 5V 3W , cord	993-1254-ND
Insulated Male FASTON terminal	A27804TR-ND

**CAUTION
SHOCK HAZARD
110VAC**