
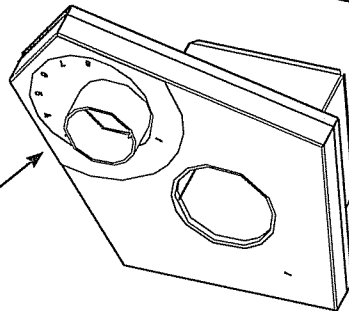
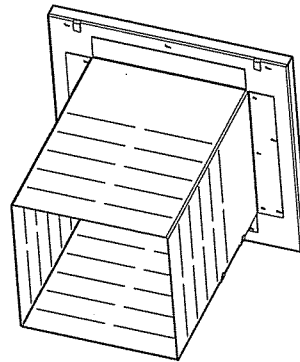




Direct Vent Wall Passthrough for 3" PL Vent Pipe
Part #1-00-677077

Tested by  as a venting component for Harman Pellet & Corn Stoves.



Where required by local or state codes, outside air must be installed.

This wall passthrough is a LISTED Venting component for the following Harman Stove Company heating appliances ONLY:

P38 Pellet Stove: #1-70-08500

P61 Pellet Stove: #1-70-05800

P61A Pellet Stove: # 1-70-0580

P68 Pellet Stove: # 1-70-00688

PC45 Pellet/Corn Stove: # 1-70-06800

Advance Pellet Stove: #1-90-08730 & 1-90-08732

Accentra Pellet Stove: # 1-90-08470

Accentra Insert: # 1-90-00674*

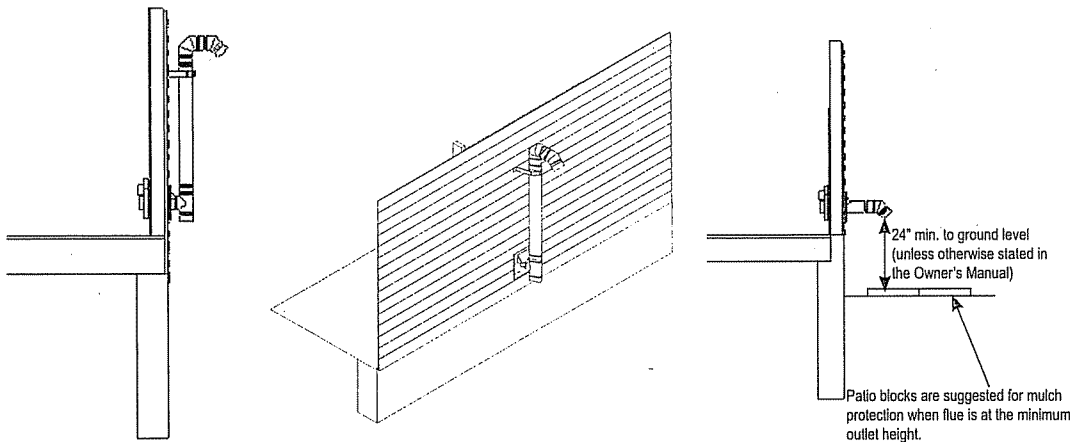
XXV Pellet Stove: #1-90-00677 or 1-90-00025

*When installed with 3" PL Vent

R2
4/05

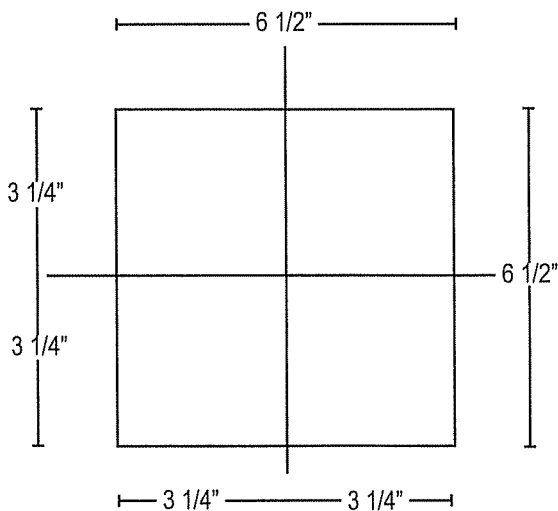
1. Locating the Passthrough on the Wall

- It would be best if none of the wall studs would need to be cut. Often you can move the unit several inches one way or the other so a stud comes to the edge of the passthrough hole.
- Remember to allow for floor protection (hearth pad, tile, stone, etc) when marking the center of the passthrough location.
- Always be careful to avoid electrical wiring.
- Decide which exterior venting configuration will be used.
- See your Owner's Manual for any code requirements that would not meet minimum venting clearance on the exterior wall.



2. Marking the Passthrough location on the Wall

- With the vent pipe center located, draw level/plumb cross hairs through the center line.
- Offset these lines $3\frac{1}{4}$ " to the top, bottom, left, and right. This will create a $6\frac{1}{2}$ " square box that becomes your through hole edges.



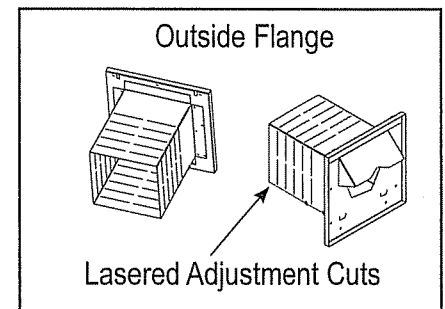
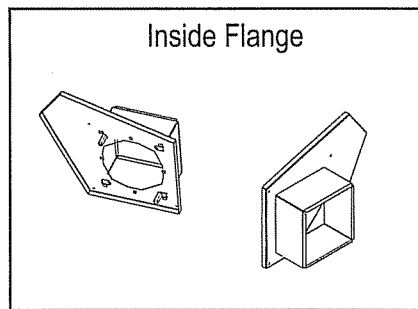
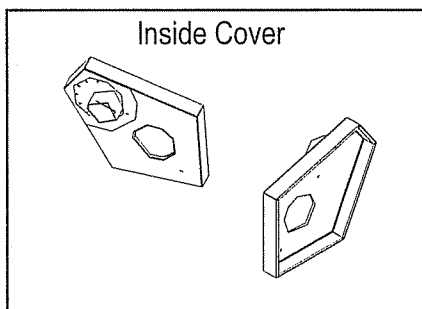
NOTE: $6\frac{1}{2}$ " square is the minimum size hole and $6\frac{3}{4}$ " square is the maximum size hole.

The intersection of the cross hairs represents the center of the PL Vent Pipe.

3. Cut the Hole through the Wall

4. Install Wood Backer Strips for the Flange Mounting Screws

- Certain types of wall construction may not provide a suitable screw backing for proper flange support. The direct vent passthrough assemblies do not fasten to each other. They slide together with a minimum of 1 1/2" overlap but require the screws in the flange for support.
- Some types of screw backing, such as furring strips or pieces of plywood, will need to be installed on the inside of the stud cavity.
- The direct vent wall passthrough is comprised of (3) three pieces.
- Before starting the installation, TEST FIT THE FLANGE ASSEMBLIES together to get a better understanding of how the pieces fit together.

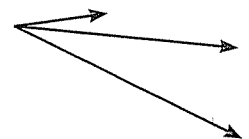


5. Adjusting the Outside Flange Sleeve for the Wall Thickness

- There are laser cuts through the sleeve for ease of adjustment. Although small sections of the corners and sections between these cuts will need to be cut with metal snips or a hacksaw.
- After being cut, the outside flange assembly CANNOT extend past the inside wall surface or CANNOT have less than 1 1/2" overlap when the two flange assemblies are slid together inside the wall.
- The short sleeve on the inside flange assembly MUST NEVER BE CUT.

6. Installing the Outside Flange Assembly

- You will notice on the back of the outside assembly there are pop rivets extending through that hold the parts together.
- The 6 1/2" square hole is large enough for them to fit inside. Make sure that the pop rivet ends do not misalign the flange by sitting on the wall surface.
- It is recommended that the outside flange assembly be installed first.
- It is extremely important that the flange is mounted plumb/level and in alignment with the unit flue pipe outlet. The inside flange and the cover have little adjustment if the outside flange is installed improperly. Therefore, it is important to test fit the inside flange assembly to check for alignment before the final caulking and/or sealant is applied.
- Combustible materials can come in contact with any of the outside surfaces of the sleeves and flanges.



7. Installing the Inside Flange Assembly

- The intake pipe extension section of the flange should be installed in the upper left corner (for most installations).
- The inside flange does not need to be sealed to the wall surface, but it can be if desired.

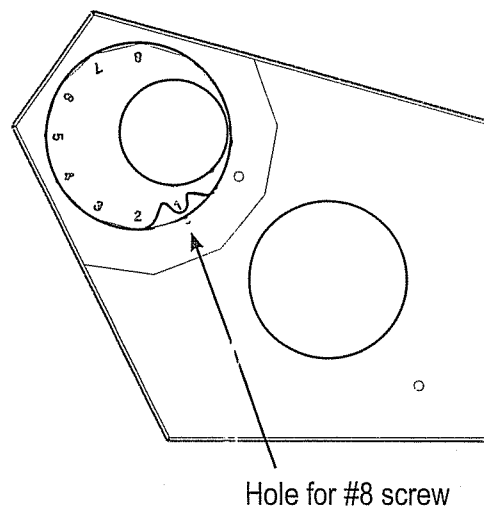
NOTE: The inside flange assembly may be installed in any of the (4) four positions if necessary for other than straight, out the back installations.

8. Installing the Inside Flange Cover

- Set the intake pipe number setting that corresponds to the unit being installed (only necessary if being installed straight out the back).

Stove Model	Intake Pipe Number Setting
P38 Pellet Stove: #1-70-08500	#7
P61 Pellet Stove: #1-70-05800	#7
P61A Pellet Stove: # 1-70-0580	#7
P68 Pellet Stove: # 1-70-00688	#7
PC45 Pellet/Corn Stove: # 1-70-06800	#7
Advance Pellet Stove: #1-90-08730 & 1-90-08732	#6
Accentra Pellet Stove: # 1-90-08470	#3
Accentra Insert: # 1-90-00674*	as necessary
XXV Pellet Stove: #1-90-00677 or 1-90-00025	#2

*When installed with 3" PL Vent



- For 45 degree corner installations and for basement between the floor joist installations, the setting can be whatever works best for the installation.
- Use the #8 x 1/2" teck screw (supplied) to secure the swivel into the correct position.
- With the position set, cut the white insulation that covers the hole inside the pipe. Cut the hole edge as cleanly as possible and guard against pushing the insulation away from the cover plate, either could restrict the flow of intake air to the unit.

9. Complete the Intake Flex Pipe and Venting

- The unit can now be set into place to get the length for the intake flex pipe and for the PL vent pipe.
- It is recommended that the flex pipe be siliconed into the pipe stub of the passthrough, but not siliconed into the unit's intake pipe stub so that the unit can be easily moved, if necessary.

NOTE: The PL vent pipe should be siliconed where it passes through the inside cover but it is not necessary where it passes through the outside flange, unless desired.

NOTE: Follow the PL vent pipe manufacturer's recommendations for 3" clearances to combustibles to the point where the pipe enters and exits the Harman Direct Vent Wall Passthrough.

NOTE: See the Harman Owner's Manual for the unit being installed for exterior flue pipe termination restrictions.

NOTE: The Harman Direct Vent Wall Passthrough is only certified as a venting component if the outside air is connected to the intake pipe of the listed stoves manufactured by Harman Stove Company.

Maximum wall thickness

Minimum overlap

