

assembly

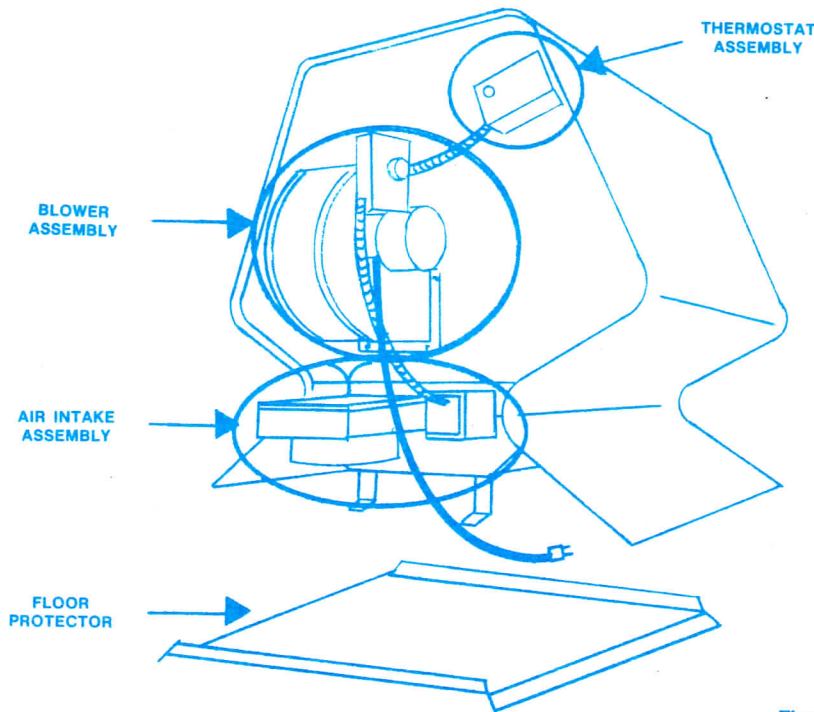


Figure 1

- Remove the package containing the wiring harness from the inside of the unit. Then remove the harness from the package.
- Fasten AIR INTAKE ASSEMBLY to rectangular opening on the lower center portion of unit. (See figure 1.) With the butterfly spindraft control facing up and the 6" round flange for the exterior air intake facing down, use the four #10 by 1/2" sheet metal screws to secure the air intake enclosure to the stove. Use a 5/16" wrench or socket to tighten screws. The Air Intake Assembly must be flush with the stove in order to assure air tight construction and unwanted air from entering the unit.
- Insert the tinnerman clips through the blower hole opening into the 5/16" holes next to blower opening-corners on the stove. The bent edge of tinnerman clip must fit to the inside of the opening. Make sure clip openings are aligned with 5/16" holes in the stove. Fasten thermostat stand off bracket to upper right corner of the stove using two #10 by 1/2" sheet metal screw. Make sure the 3/4" holes are aligned.
- Insert the 5" thermostat probe through the stand off bracket into the unit. (See figure 1.) Do not tighten stand off bracket onto the thermostat probe at this time. Align the blower holes and fasten the BLOWER ASSEMBLY onto the unit using four 1/4" by 1" hex head bolts. (See figure 1.) Tighten firmly, but do not overtighten. Overtightening will bend the tinnerman clips.
- Press the thermostat assembly flush with the stand off bracket. Align the thermostat so that the short end of the thermostat is parallel with the side of the stove. (See figure 1.) Tighten the set screw on the stand off bracket onto the thermostat probe. Do not overtighten. Overtightening may result in damage to the thermostat.

IMPORTANT

The galvanized floor protector must be in place beneath the stove before the stove is placed into position.

IMPORTANT

In a mobile home installation the unit must be fastened to the floor using the two brackets at the rear of the stove.