

CLEARANCES: When installed according to these instructions the basic unit may touch combustible materials at the bottom, sides and back of the unit. CHIMNEY SECTIONS ABOVE THE JOIST AREA REQUIRE A MINIMUM CLEARANCE AS SHOWN TO COMBUSTIBLE MATERIALS (See Chart #1)

Firestop spacers must be installed at every ceiling level which will automatically provide the necessary clearance.

MODELS

BI28BM, BI36BM, BI-28M and BI36M-1 requires a combination radiation shield and roof flashing.

BI28BM, BI42BM, BI-28M and BI-42M requires insulation around chimney at ceiling joist area.

ANY FIREPLACE MUST NOT BE INSTALLED CLOSER THAN 36" TO ANY UNPROTECTED COMBUSTIBLE WALL PERPENDICULAR TO THE FIREPLACE OPENING. (See Fig.#1). This does not apply to corner installations.

(See Fig #4)

Floor which supports fireplace does not have to be reinforced unless the material used for facing is very heavy (i.e. Fieldstone, or brick in large areas).

INSTALLATION: The overall height of fireplace and chimney is not to be less than 16' for all MODELS BI28BM, BI-28M, BI-36MI, BI-36ES, or BI-42M- BI36BM BI42BM (22 ft. when offsets are used) no chimney may be more than 35 feet in overall height.

Fireplace location will be influenced by such factors as: traffic in rooms, doors and windows and construction above and below the fireplace.

Fireplace may be installed in any location which will provide the necessary clearance. A location which will require cutting the least number of joist or rafters will simplify and reduce installation costs.

Fireplace may be positioned and then the framing built around it or the framing may be constructed and the fireplace pushed into the opening. (See Fig. #8).

DO NOT INSTALL DOORS ON "M" or "BM" MODELS (EXCEPT BI36 E.S. & BI36 M-1)

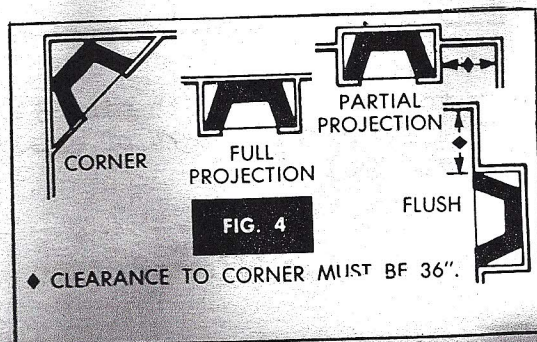


CHART 1
Dimensions 28", 36", 42" Fireplace

	BI28M-BI28BM	BI36M-BI36M-1 BI36ES-BI36BM	BI42M-BI42BM
A	22"	30"	36"
B Width of Opening	28"	36"	42"
C	38"	46"	52"
D	40 ³ / ₈ "	To Top of Spacers 42 ³ / ₈ "	44 ³ / ₈ "
E	To Top of Fireplace		
F	36 ¹ / ₈ "	38 ¹ / ₈ "	40 ¹ / ₈ "
G	19 ¹ / ₂ "X19 ¹ / ₂ "	30"X22"	20"X20"
H	16"	16"	20"
J Height of Opening	16"	18"	20"
K	36"	36"	36"
	44"	52"	66"
CHIMNEY CLEARANCE TO COMBUSTIBLE	2"	2"	2"

