



Technical Data Sheet

Installation of the Heritage 8022 outside air kit Accessory 90-53220

Date: 7/15/2014

90-53220

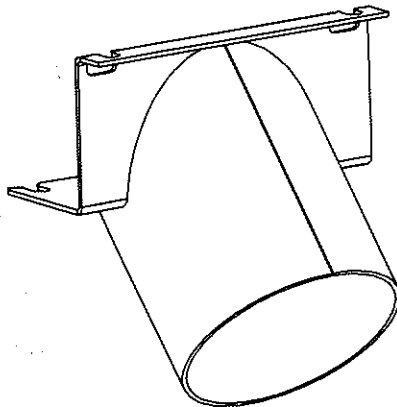
Page: 1 of 2

INCLUDED IN KIT:

(1) Outside Air Adaptor (5902-135)

TOOLS REQUIRED:

#2 Phillips Screwdriver (stubby)
Pair of Work Gloves



MATERIALS REQUIRED (Not supplied with this kit):

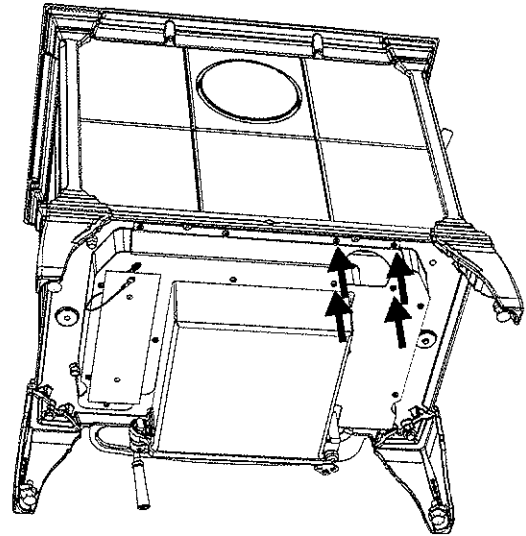
- (1) 3" Flex Pipe
- (2) Hose Clamps
- (1) Termination Hood w/ Screen

BEFORE YOU BEGIN: Work on a cool stove. You will need to access the bottom rear of the unit. Identify the assembly pieces listed above. Note: The 3" flex pipe, hose clamps, and termination hood are not provided with this kit, but are necessary to connect the outside air box to the outside air source. A 3" to 4" adaptor is available if needed (pt# 90-53308).



PROCEDURE:

1. Locate the air inlet in the back of stove.
Loosen the four screws around the air inlet.
2. Install the outside air adaptor. Slide the adaptor under the loosened screws until the adaptor is flush against the vertical surface of the air channel.
3. Tighten all 4 screws using the Phillips screwdriver until the outside air adaptor is tight against all surfaces.
4. Connect the outside air adaptor to the 3" flex pipe and outside air supply. The outside air box installation is now complete.



Note: When considering placement of the duct from the outside of the house to the hearth, keep in mind the need to avoid structural members of the house. The termination of the duct on the outside wall should be located in such a manner as to preclude the possibility of obstruction by snow, leaves, or other materials. The outside termination should be screened with a 1/4" x 1/4" mesh rodent screen and be covered by a rain/wind proof hood. **Periodically check the screen to ensure it is not blocked by debris such as spider webs or leaves.**

