

Fireplace Surround - Installation Instructions

Model: Northfield

For use on the Merrimack Fireplace Insert

VERMONT  CASTINGS

Kit contents:

- (1) Left Column Casting
- (1) Right Column Casting
- (1) Center Panel Casting
- (2) Bracket, Surround
- (2) Bracket, Wall
- (2) Bracket, Top
- (12) Round 1/4-20 Phillips Head Screws

TBM

Tools required: Phillips Screw Driver, electric drill, (qty 4) wall anchors (not supplied)

Carton Contents

Unpack the surround from the shipping box and inspect for damage. If any parts are damaged or missing, contact your dealer before beginning installation.

Installation Instructions

1. Assemble the three panels by laying them face down on a flat soft surface like carpet. (Figure 1) Align one of the Top Brackets with the threaded holes in the Column Left and the Center Panel (Figure 2) Insert (4) 1/4-20 fasteners finger tight. The painted side of the Top Bracket should be facing away from you. Repeat this operation for the Column Right. Make sure the spacing between the columns and the center panel are equal and parallel. Tighten the fasteners.

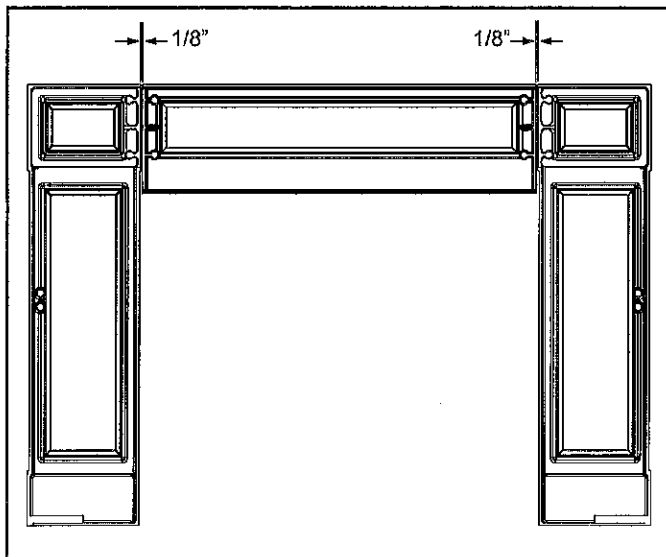


Figure 1

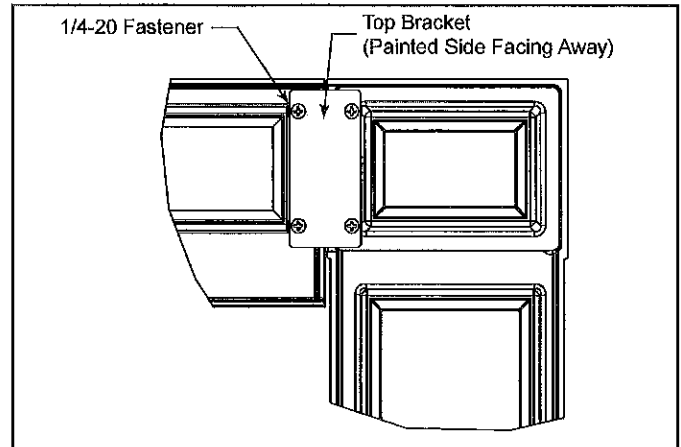


Figure 2

2. Install the two Surround Bracket as shown in (Figure 3)
3. The surround may be placed against the fireplace opening. When the Merrimack Insert is positioned into the fireplace, it will hold the surround in place.

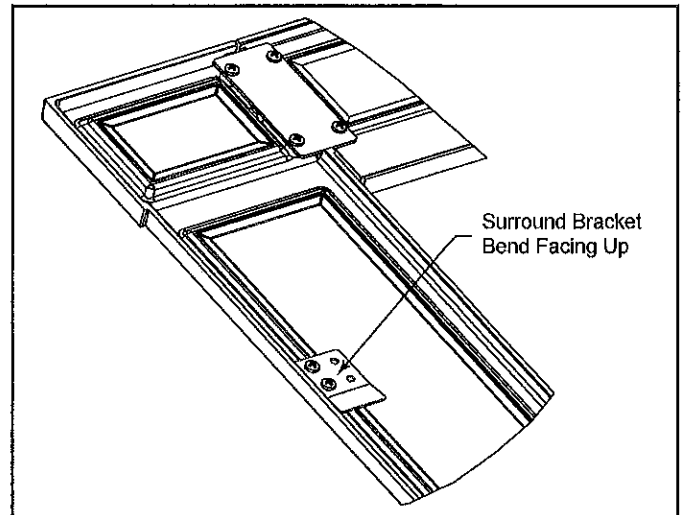


Figure 3

4. To install the surround with the optional wall brackets, position the wall brackets on both sides the fireplace as show in (Figure 4) Trace around the bracket slots. Drill a hole at the center of each slot and use the appropriate wall anchor for your fireplace surface (masonry screw, lead screw anchor, wedge anchor, etc.) Attach the wall brackets.
5. Position the unit about 1" above the hearth surface and push the unit against the wall. Slide the surround down the wall to the hearth surface. The surround brackets will engage the wall brackets.

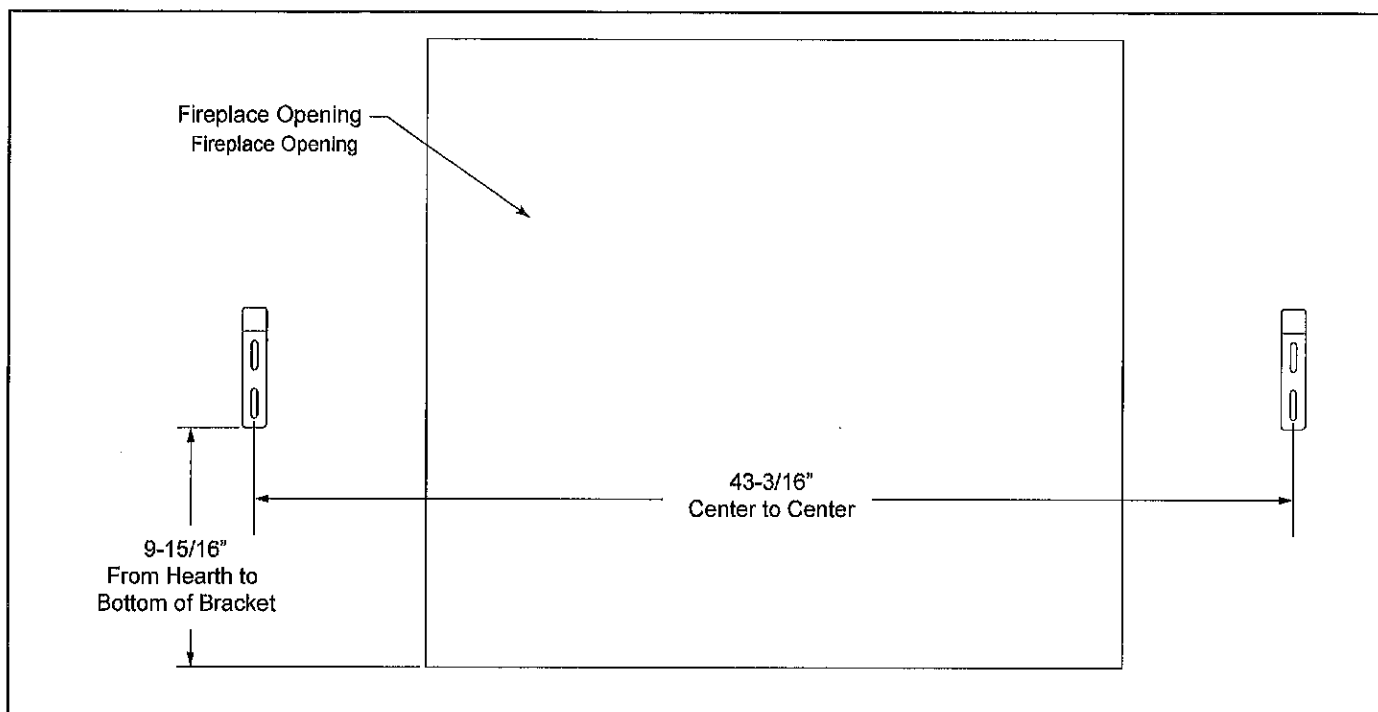


Figure 4