

D. Mantel and Wall Projections

WARNING! Risk of Fire! Comply with all minimum clearances to combustibles as specified. Framing closer than the minimums listed must be constructed entirely of noncombustible materials (i.e., steel studs, concrete board, etc.)

If the Passive Heat kit will be installed, see Figure 10.19 for details regarding clearances to combustibles in addition to the requirements for Combustible and Non-Combustible Mantel diagrams and the Mantel Leg/Wall Projection diagrams (Figure 10.11-Figure 10.18).

Note: For non-combustible fireplace finish material (marble, stone, etc) specifications refer to Section 10.A.

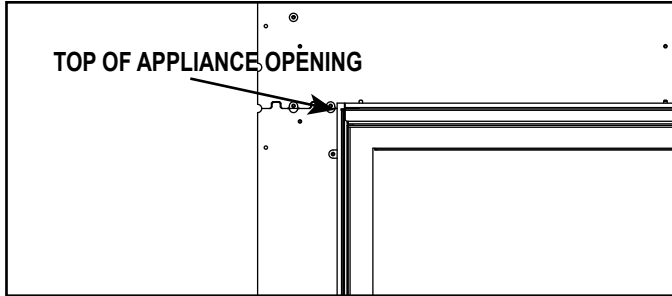


Figure 10.11 Location of Appliance Opening

Note: Minimum distance from top edge opening to ceiling can be found in the Framing and Clearances section 3.B.

Combustible Mantels

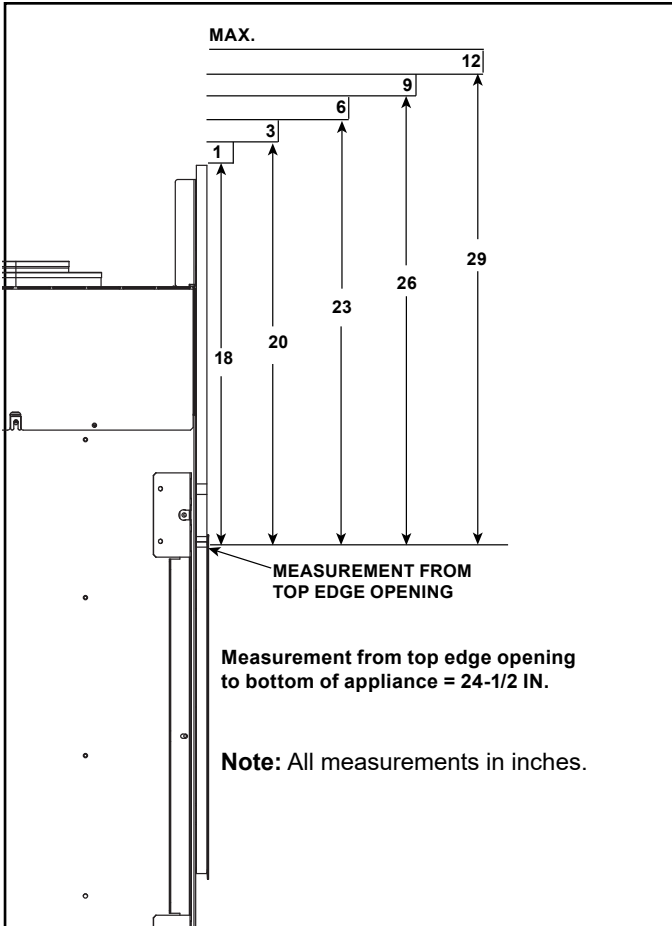


Figure 10.12 Minimum Vertical and Maximum Horizontal Dimensions of Combustibles - MEZZO36-C, MEZZO36ST-C, MEZZO48-C and MEZZO48ST-C

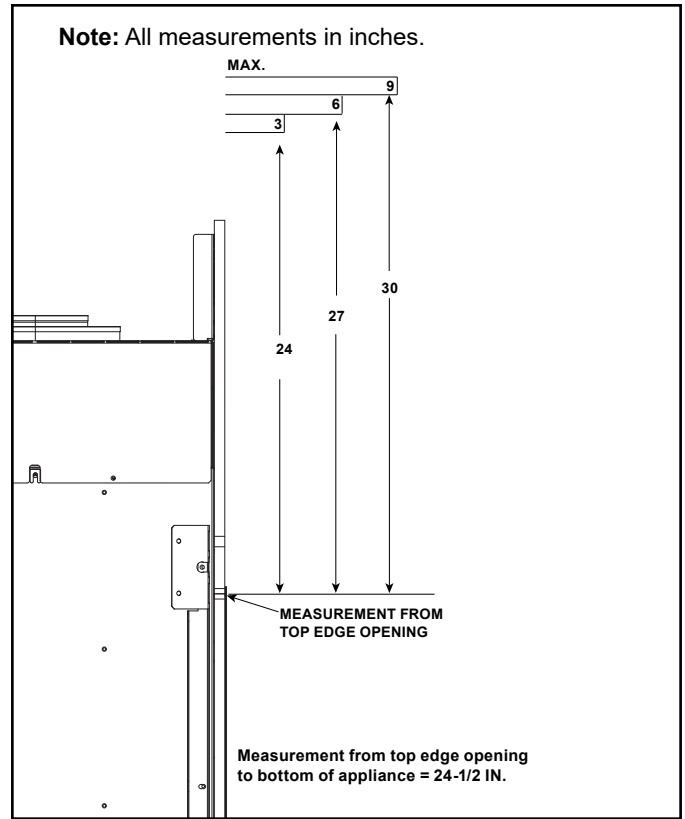


Figure 10.13 Minimum Vertical and Maximum Horizontal Dimensions of Combustibles - MEZZO60-C, MEZZO60ST-C, MEZZO72-C and MEZZO72ST-C

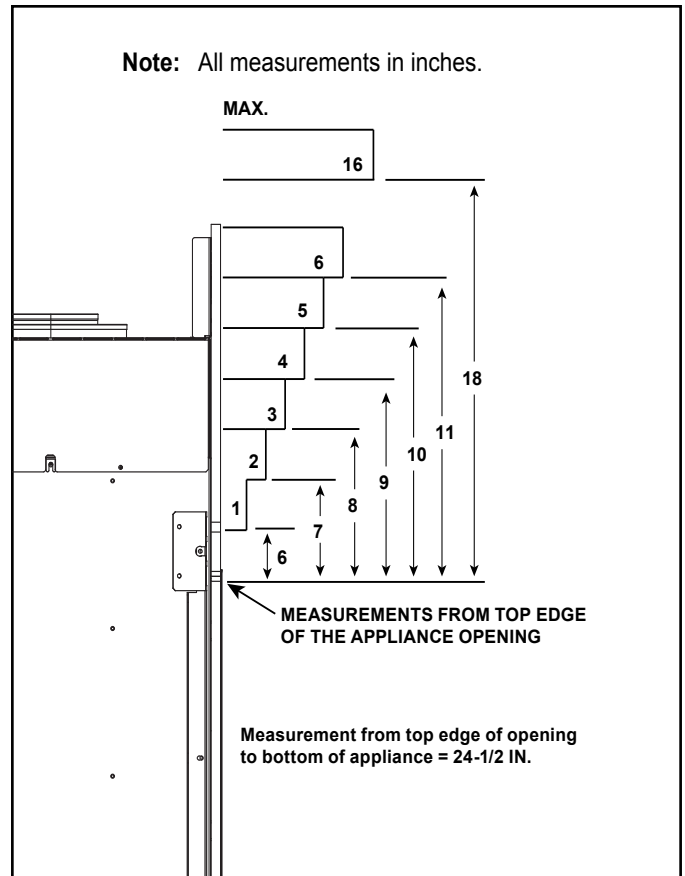


Figure 10.14 Minimum Vertical and Maximum Horizontal Dimensions of Combustibles - Passive Heat Kit Installed (All Sizes)

Non-Combustible Mantels

OVERLAP FIT (QUATTRO/LOFT FORGE)

Note: All measurements in inches.

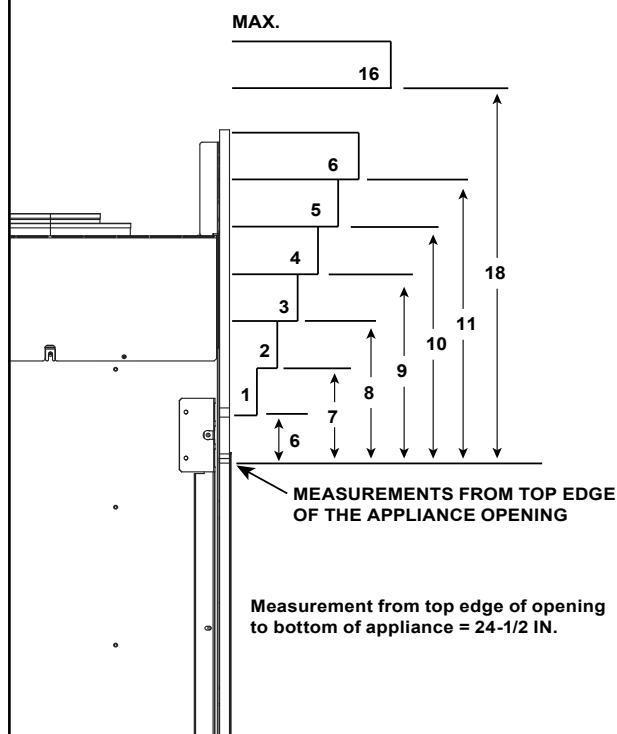


Figure 10.15 Minimum Vertical and Maximum Horizontal Dimensions of Non-Combustibles - Overlap Fit Finishing

INSIDE FIT (CFT)

Note: All measurements in inches.

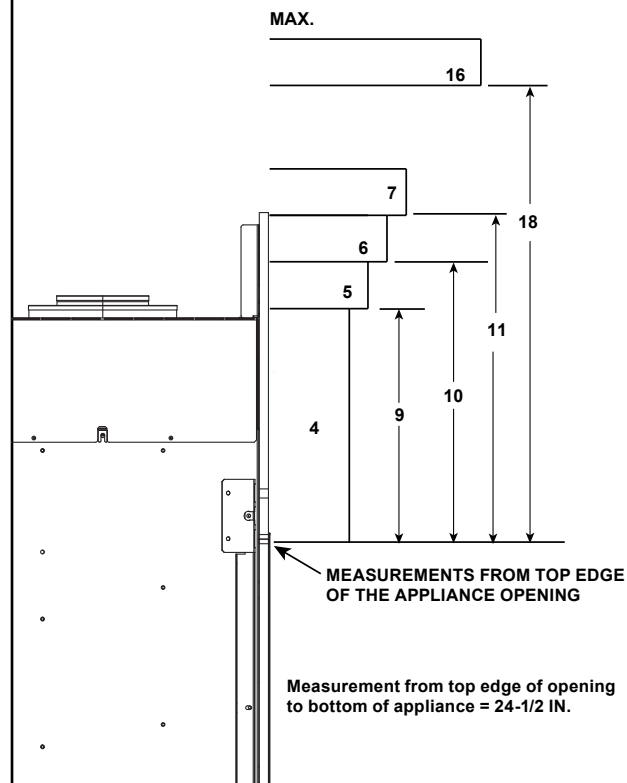


Figure 10.16 Minimum Vertical and Maximum Horizontal Dimensions of Non-Combustibles - Inside Fit Finishing

Mantel Legs Or Wall Projections Extending Past The Face Of The Fireplace (Combustible or Non-Combustible)

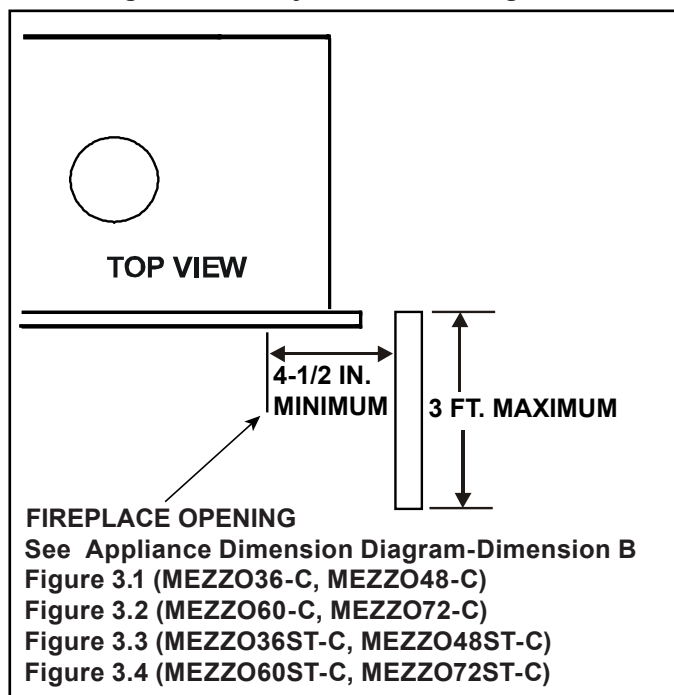


Figure 10.17 Mantel Leg or Wall Projections (Acceptable on both sides of opening)

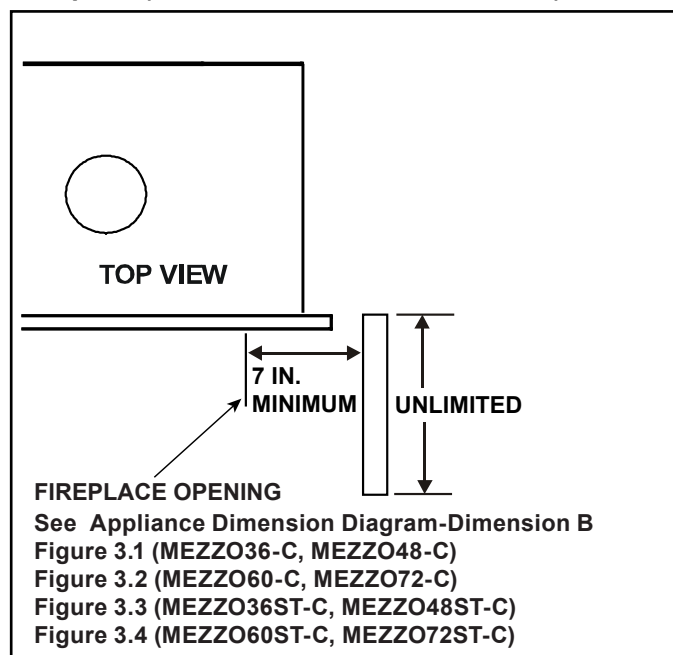


Figure 10.18 Mantel Leg or Wall Projections (Acceptable on both sides of opening)