

The Meridian^{TN}

The MERIDIAN Free-standing Stove
Installation and Operation
Instructions

Model MSI-83



READ INSTRUCTIONS CAREFULLY BEFORE STARTING

ALL MINIMUM CLEARANCES SPECIFIED MUST BE CAREFULLY
ADHERED TO

DO NOT CONNECT THIS UNIT TO A CHIMNEY SERVING
ANOTHER APPLIANCE

THIS SPACE HEATER IS NOT TO BE CONNECTED TO ANY
AIR DISTRIBUTION DUCT

SAVE THESE INSTRUCTIONS FOR FUTURE REFERENCE

Warnock Hersey



MODEL: MS 1-83 STOVE

***** CAUTION *****

IMPORTANT BREAK-IN INSTRUCTIONS

READ BEFORE USING YOUR MERIDIAN

The Meridian Ceramic Tiled Stove and Meridian Fireplace Insert are manufactured using a castable refractory material developed by the inventor of the Meridian. To ensure a lifetime of satisfaction a **BREAK-IN** period is required to properly set the castable refractory material.

Use ordinary charcoal during the break-in period. Initially start your break-in period with 5 lbs of charcoal and allow it to burn. Then add an additional 10 lbs of charcoal and allow it to burn down. From this point on you can add 20 lbs of charcoal in 3 successive loadings. A final load of 25 lbs of charcoal will properly set the castable refractory material.

It is not necessary to remove the charcoal from the bag. For example, charcoal is typically available in 10 lb quantities; just lay the entire bag in the stove and light the bag. Never use flammable liquids to start a wood fire in your stove.

NOTE: It is advisable to make your first wood fires small and gradually build them up in intensity, even after the break-in period, until you have familiarized yourself with the burn characteristics of your Meridian.

DO NOT OVERFIRE YOUR MERIDIAN AT ANY TIME.

HOW TO USE THIS MANUAL

This manual is organized as follows:

- o Section 1, Overview of the Installation Procedure, provides a general description of the installation process.
- o Section 2, Residential Installation, describes how to install the Meridian in any home except a mobile home (see Appendix A for mobile home installation).
- o Section 3, Tips on Installing Class A All Fuel Chimney, is provided in order to give you a general idea about how to install the Class A all fuel chimney. For more specific instructions you should refer directly to the chimney manufacturer's instructions.
- o Section 4, Installing the Damper, describes how to assemble the damper and install it into the first section of flue pipe.
- o Section 5, Installing the Decorative Cover Option, explains how to assemble the decorative cover, stainless steel flue pipe, and damper.
- o Section 6, Operation Instructions, provides important information about how to use your Meridian.
- o Appendix A, Mobile Home Installation, explains how to install the Meridian Stove in a mobile home. This appendix is included only for mobile home owners.

Read this manual carefully before attempting to install the Meridian stove. It's a good idea to read Section 1 a couple of times in order to familiarize yourself with the installation process.

IMPORTANT: YOU MUST PERFORM THE BREAK-IN PROCEDURE BEFORE USING YOUR MERIDIAN STOVE.

SECTION 1 OVERVIEW OF THE INSTALLATION PROCEDURE

The basic steps involved in the installation of your Meridian stove are described below:

1. You must first determine where you want to place the stove. Refer to the illustrations provided in this manual and ensure that the minimum clearances to combustibles are maintained.

2. You will then use a plumb-bob to locate the spot on the ceiling which will be the center of your Class A chimney. Section 2 explains how to perform this part of the installation procedure.

NOTE: If you are elbowing out the wall or into a masonry chimney, you will skip this step and Step 4. Instead, you will need to locate the appropriate spot on the wall or chimney. Note that the distance from the top of the single wall elbow flue pipe, to the ceiling, must be at least 18". For more information about elbow-type installations, consult the pipe manufacturers instructions.

3. Next you will mark the spot for the outside combustion air inlet. Note that you should mark this spot even though you may not be hooking up the outside air combustion. It is necessary to mark this spot because you will be using it as a reference point when positioning the stove. Section 2 of this manual explains how to mark this spot.

NOTE: The outside combustion air inlet must be hooked up if you are installing the stove in a mobile home (see Appendix A). Also, if your home is of an 'air-tight' type of construction, it's a good idea to hook up the outside combustion air inlet if possible.

4. Now you will want to check beneath your floor and above the ceiling to determine if it will be necessary to cut any floor or ceiling joists. You may wish to locate the stove in such a way that you will not need to cut any joists. If so, re-mark the position where the stove will be placed and make certain that you adhere to the minimum clearances illustrated in this manual.

5. The next step is to install the Class A chimney

according to the chimney manufacturer's instructions. Section 3 of this manual includes an overview of the chimney installation procedure. Note that elbow-installations are not covered in this manual; however, the instructions included with the Class A pipe provide detailed instructions pertaining to all types of installations, including elbow installations.

6. After installing the Class A chimney according to the manufacturer's instructions, you will then assemble the Meridian Class C pipe as described in Sections 4 and 5, or per the Class C pipe manufacturer's instructions.

Note that the Class C pipe is the single wall flue pipe which is used to connect your stove to the Class A pipe or chimney. This Class C pipe is also referred to as 7" chimney connector pipe. Several varieties of Class C pipe are available from your Meridian dealer. Some use a decorative cover option, which completely covers the Class C flue pipe. This type of arrangement makes use of the flue pipe as a convective heat source (this special pipe is sometimes called a "heat-exchanger"). The other type of Class C pipe arrangement consists of a starter section of Class C pipe, over which a decorative basket is placed. The decorative basket disperses the heat convecting through the stove the same way that the decorative cover option (which also includes a basket area) disperses the heat which convects through the stove AND along the flue pipe. If you have purchased a "heat exchanger" type of pipe from your dealer, you should not require any additional pipe in order to connect the stove to the Class A chimney pipe. On the other hand, if you have the type of pipe which consists of the Starter Section (MSI-5) and Decorative Basket (MSI-20) you will need to determine how much more Class C pipe is required in order to connect the stove to the chimney pipe. Before continuing with the installation you must ensure that you have sufficient lengths of Class C pipe (or you may use Class A pipe) to connect the stove to the chimney pipe.

7. After installing the Class A chimney pipe and assembling the Class C pipe (and damper), you are ready to move the stove into place. If the Meridian Hearth is used, you will need to properly position it as described in Section 2. The easiest way to slide the stove into place over the hearth is to use towels or heavy cardboard beneath each leg. This will prevent damage to the hearth and stove. To ensure that the stove is properly positioned, use a plumb-bob.

8. After the stove is properly positioned, connect the stove to the Class A chimney (or masonry chimney) using the

Class C pipe. Make certain that all pipe connections are secure.

9. Now carefully read the Operating Instructions (see Section 6).

10. IT IS VERY IMPORTANT TO FOLLOW THE BREAK-IN PROCEDURE before you use the stove. The Break-in instructions are stapled to the front of this manual. If you are missing the Break-in instructions you must obtain a copy from your dealer and perform the break-in prior to your first fire.

NOTE: You may experience an unusual odor during the first few days of using the stove. This odor results from the curing of the castable refractory material and from the 'baking' of the enamel on the Class C pipe parts. This odor is harmless and will extinguish within a couple of days.

SECTION 2 RESIDENTIAL INSTALLATION

BEFORE YOU START

Before you start, keep in mind the following points:

Before installing your stove, check to make sure that the Class A chimney is properly installed. The Meridian free standing stove is designed to be connected to either a masonry chimney or 7" Class A all-fuel metal chimney. If you have not yet installed the chimney pipe, refer to the instructions provided in this section for locating the center of the chimney. These instructions will ensure that the chimney pipe is properly located and the stove is installed no closer than the minimum clearances allowed.

The stove is connected to the chimney using 7" connector pipe. This pipe must meet the requirements for Class C chimney connector pipe. Several varieties of this pipe are available. Sections 4 and 5 of this manual describe the types of Class C pipe currently sold with the Meridian.

The Class C pipe must not pass through an attic or roof space, closet, or similar concealed space, or a floor, ceiling, wall or partition of combustible material.

The chimney connector (Class C pipe) must be connected to a 7" diameter (or larger) Class A all-fuel metal chimney, or into a masonry chimney. Make sure that the Class A all-fuel chimney is installed in accordance with the manufacturers installation instructions. The major cause of fires is the use of makeshift compromises during installation. Chimneys are required to extend at least 36" above the point where they pass through the roof, and at least 24" higher than any portion within 10 feet.

If your stove is to be vented into a masonry chimney, the chimney must meet the local building requirements for soundness. It should be inspected for creosote formation and cleaned, if necessary, before using your Meridian stove. The minimum flue diameter of the masonry chimney should be 8".

MINIMUM CLEARANCES

Minimum clearances are shown in Figures 1 and 2. Figure 1 shows back wall and (or) sidewall installation, and Figure 2 shows a corner installation.

Sidewall or Backwall Installation (see Figure 1)

- A -- 14 1/2 inches from the outside of the chimney connector to back wall.
- B -- 16 1/2 inches from the outside of the chimney connector to the sidewal.
- C -- 2 1/2 inches from the unit to the back wall.
- D -- 4 1/2 inches from the unit to the side wall.

Corner Installation (see Figure 2)

- A -- 14 1/2 inches form the outside of the chimney connector to the nearest wall.
- C -- 2 1/2 inches form the unit to the nearest wall.

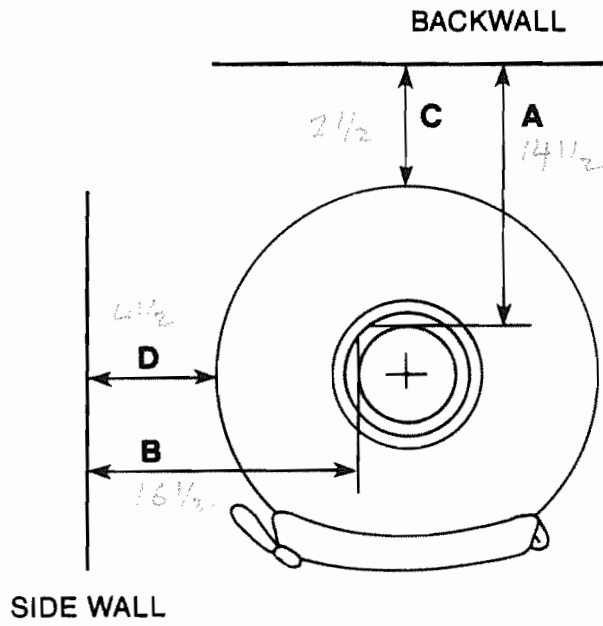
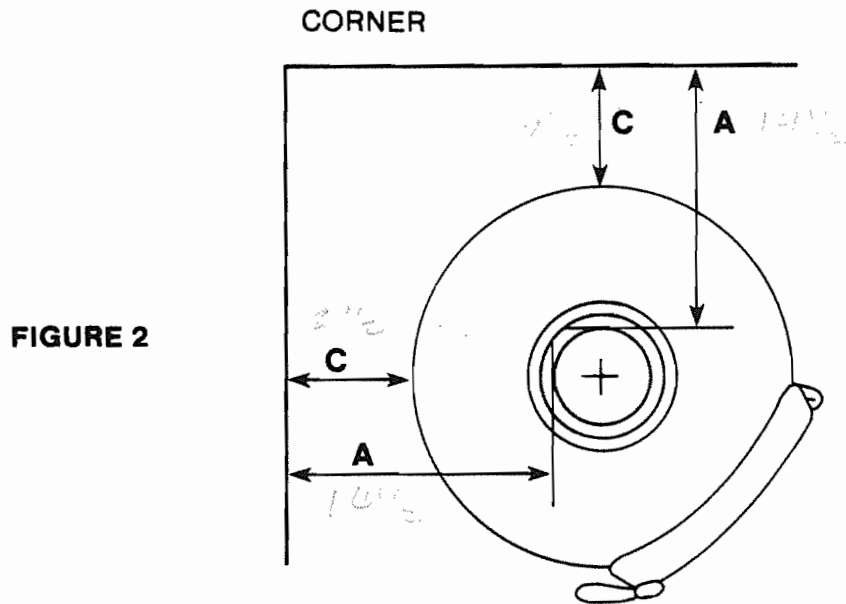


FIGURE 1



LOCATING CENTER OF CHIMNEY PIPE

When installing the chimney pipe (Class A all-fuel chimney), you must be careful to ensure that the stove, when connected to the chimney, will be no closer than the minimum clearances allowed. To ensure that the chimney pipe is properly located, refer to Figures 3 and 4 and adhere to the following minimum clearances when installing the chimney:

Sidewall or Backwall Installation (see Figure 3)

E -- 18 inches from the center of the chimney pipe to the backwall.

F -- 20 inches from the center of the chimney to the sidewall.

Corner Installation (see Figure 4)

G -- 18 inches from the center of the chimney to the nearest wall.

By installing the Class A all-fuel chimney as indicated above, you will ensure that both the stove and the 7" chimney connector pipe (Class C pipe) are installed no closer than the minimum clearances.

NOTE: After marking the spot on the ceiling for the chimney pipe, locate the hearth and air combustion air inlet positions as shown in Figure 5. DO NOT begin installation of the chimney until you have marked these locations, as it may be necessary to change the position where the chimney will be installed.

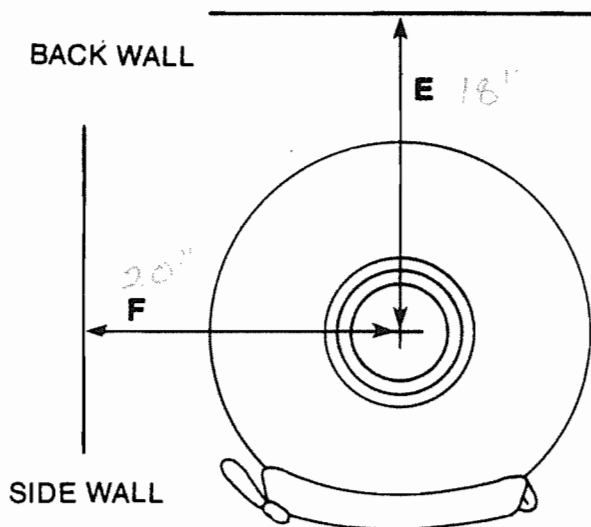


FIGURE 3

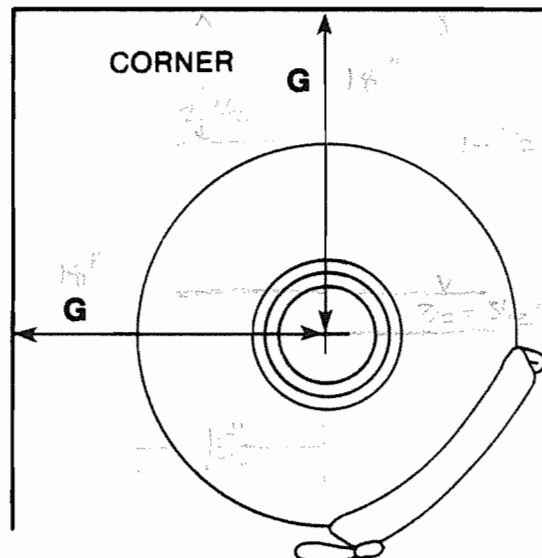


FIGURE 4

LOCATING THE HEARTH AND COMBUSTION AIR INLET

1. After locating the chimney center line on the ceiling, suspend a plumb-bob from this point to within 1/2 inch above the floor.
2. Mark the center spot on the floor (see Figure 5).

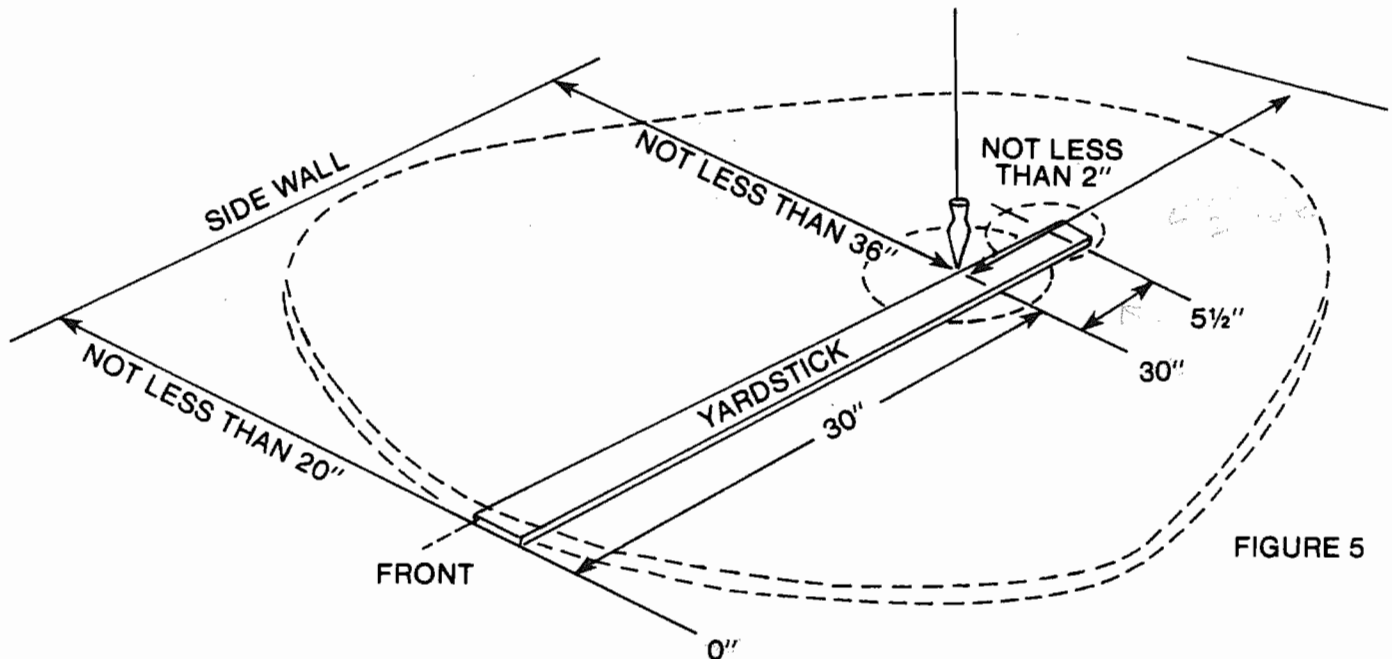


FIGURE 5

3. From this point on the floor, draw a 30" line in the direction that the stove will be facing. This point indicates the front of the non-combustible flooring (hearth) required.
4. Also extend a line (from the spot marked in Step 2) in the opposite direction of the line drawn in Step 3. Measure this line (which is drawn in the direction of the back of the stove) to a distance of 5 1/2 inches. Mark this spot on the floor. This spot represents the center of the combustion air inlet duct (required for mobile home installation).

NOTE: It is not necessary to cut a hole in the floor as described herein, however, it's would be location should be marked and used as a guide in aligning the unit. (Note that this hole must be cut for mobile home installations.)

5. Once these points have been located and marked, it is

advisable to check the ceiling and floor area for possible obstructions (such as water pipes, heat ducting, etc.) which might prevent installation of the chimney or combustion air inlet. If necessary, relocate the chimney center line and check to make certain that all minimum clearances to combustibles are maintained.

INSTALLING THE CHIMNEY (Class A All-Fuel Chimney Pipe)

Install the Class A all-fuel chimney according to the chimney manufacturer's installation instructions. Section 3 of this manual provides general information about installing the Class A all-fuel chimney.

INSTALLING OUTSIDE COMBUSTION AIR INLET

If you live in an 'air-tight' home, it's a good idea to hook up the outside combustion air inlet. This installation is required for mobile home installations.

To hook up the outside combustion air inlet you will need 4" galvanized or aluminum tubing or similar material (such as a dryer vent pipe). To install your combustion air inlet duct, perform the following steps:

1. Drill a 4 1/4 inch hole through the floor at the point previously measured and marked.
2. Lay down the hearth with the combustion air hole (which has been pre-cut in the hearth) lined up with the hole cut in the floor. (For more details, refer to the paragraph, Laying Down the Hearth).

LAYING DOWN THE HEARTH

Before positioning the stove under the chimney, lay down the non-combustible flooring (hearth) and check the dimensions to ensure that the minimum clearances are maintained. Figure 6 illustrates the non-combustible flooring (hearth) manufactured by Meridian, and shows the proper position of the stove on the hearth. Note that a hearth is not required over non-combustible surfaces such as brick, quarry tile, concrete, etc.

J -- 18" from the door opening to a combustible surface.

K -- 8" to the sides of the door opening.

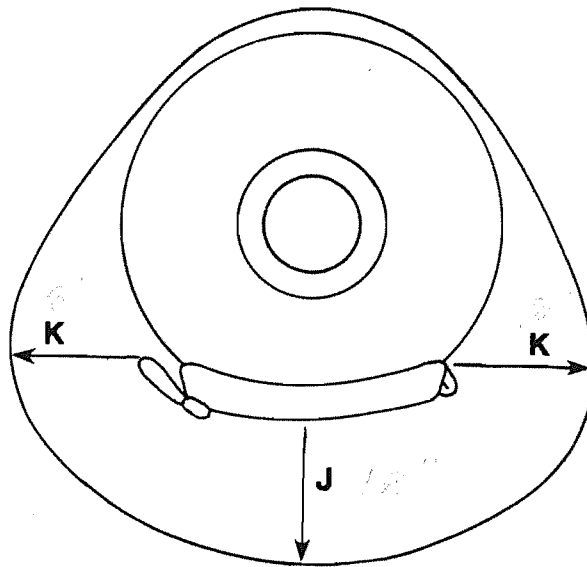


FIGURE 6

POSITIONING THE STOVE

Perform the following steps to ensure that the stove is correctly positioned.

The unit must be positioned as shown in Figures 1-6 to comply with the minimum clearances. Figures 1 and 3 show side wall and back wall installations, Figures 2 and 4 show corner installations, and Figure 6 (above) shows the proper position of the stove on the Meridian Hearth.

1. After laying the non-combustible flooring or hearth, (using the combustion air inlet hole [or mark] as a guide), carefully move the stove onto the hearth.
NOTE: Use towels or heavy cardboard beneath the legs of the stove to prevent damage to the hearth. This will also make it easier to slide the stove into place.
2. Slide the stove into position under the chimney pipe.
3. Align the stove using plumb-bob. Make certain that all minimum clearances have been maintained.

4. Assemble the damper, starter section of 7" Class C chimney connector pipe, decorative basket, or optional Decorative Cover. (Refer to Sections 4 and 5.)

NOTE: If the Meridian Starter Section (MSI-5) and Decorative Basket (MSI-20) are used, you will need additional Class C pipe in order to connect the stove to the chimney pipe. Any 7" Class C flue pipe can be used.

NOTE: Do not use the Decorative Cover option in a mobile home installation. Mobile home installations require the use of the parts listed in Appendix A.

5. Connect the Class C pipe to the Class A pipe or masonry chimney according to the manufacturer's instructions.
6. If the outside combustion air duct is utilized, slide the 4" diameter pipe (duct) up through the hearth and into the recessed hole on the base of the stove.
 - (a) Seal the outside combustion air duct to the stove using silicone.
 - (b) Seal the outside combustion air duct with silicone where it passes through the floor.
 - (c) If your air intake enters an unvented crawl space, then ventilation must be provided to the crawl space. 4" pipe can be used. Be sure to clear the snow line.
 - (d) To prevent rodents from entering, cover the air duct with wire mesh.

THIS COMPLETES THE INSTALLATION OF THE MERIDIAN STOVE. YOU ARE NOW READY TO BEGIN THE BREAK-IN PROCEDURE. THE BREAK-IN PROCEDURE MUST BE PERFORMED BEFORE YOU BUILD YOUR FIRST FIRE. ALSO, BE SURE TO STUDY THE OPERATING INSTRUCTIONS IN SECTION 6.

SECTION 3
TIPS ON INSTALLING CLASS 'A' ALL-FUEL CHIMNEY

This information is provided in order to give you a general idea about how to install the Class A all-fuel chimney. For specific details, you must refer to the chimney manufacturer's instructions.

1. Refer to mark on ceiling that locates the center line of the flue.
2. Cut a hole in the ceiling according to the manufacturer's instructions for placement of the support box. The instructions for installing the complete chimney are packaged in the support box.
3. Frame in the opening, and install the ceiling support box.
4. Locate the flue centerline on any additional levels the chimney will pass through. Use the firestops, radiation shields, or other accessories recommended by the chimney manufacturer to maintain minimum clearances to combustibles.
5. Install all chimney lengths, roof flashing, storm collar, and rain cap.
6. Once the chimney is installed, position the stove, and install the Class C chimney connector pipe between the stove and the Class A all-fuel chimney.

NOTE: For Mobile Home installations, the same procedure applies, except that a ceiling support box is not used. The Class A chimney rest on top of the decorative basket. A starter pipe is included in the Mobile Home Stove Kit available from Meridian, and must be used. Maintain an effective vapor barrier at the location where the chimney penetrates the exterior of the structure. Follow chimney manufacturer's instructions.

SECTION 4
STARTER SECTION AND DAMPER ASSEMBLY

Refer to the illustrations (Figures 7 and 8) on the following pages, and assemble the damper and first section(s) of pipe as follows:

1. Observe damper as it is shipped -- you will be reassembling it exactly as it appears.
2. Insert the first section of flue pipe (the one with the crimped end) into the lower section of the decorative cover (the decorative cover option is shown in Figure 8). NOTE: If the decorative cover option is not used, you will insert the Starter pipe (MSI-5) into the Decorative Basket (MSI-20). Note that the Starter pipe and Decorative Basket are not illustrated.
3. With the pipe pointed down (that is, with the crimped end of the flue pipe, as well as the slotted end of the lower section of the decorative cover [or Decorative basket MSI-5] facing up), insert the damper rod through one slot of the decorative jacket and into the hole in the flue pipe. Do not slide damper through to the other side.
4. Take the damper in your other hand and slide it into the flue pipe (starter section); then align the damper with the two holes in the flue pipe.
5. Keeping the damper aligned with the two holes in the flue pipe, push the damper rod through the damper and through the flue pipe and decorative jacket (or basket).
6. Holding tension on the rod, insert the bolt through the smooth side of the damper, and then through the V-curve of the damper rod. NOTE: You may find it easier to have someone else insert the bolt while you hold tension on the rod -- the rod should penetrate the other side of the decorative jacket (or basket) about 1/4 of an inch.
7. While you continue to hold tension on the rod, assemble the square washer and nut as shown.

NOTE: To install this assembly onto the stove, refer to Section 5; however, if you are not using the Decorative Cover option, ignore the steps that pertain specifically to the decorative cover. If you are not using the decorative cover option, you will require additional Class C pipe in order to connect the stove to the chimney.

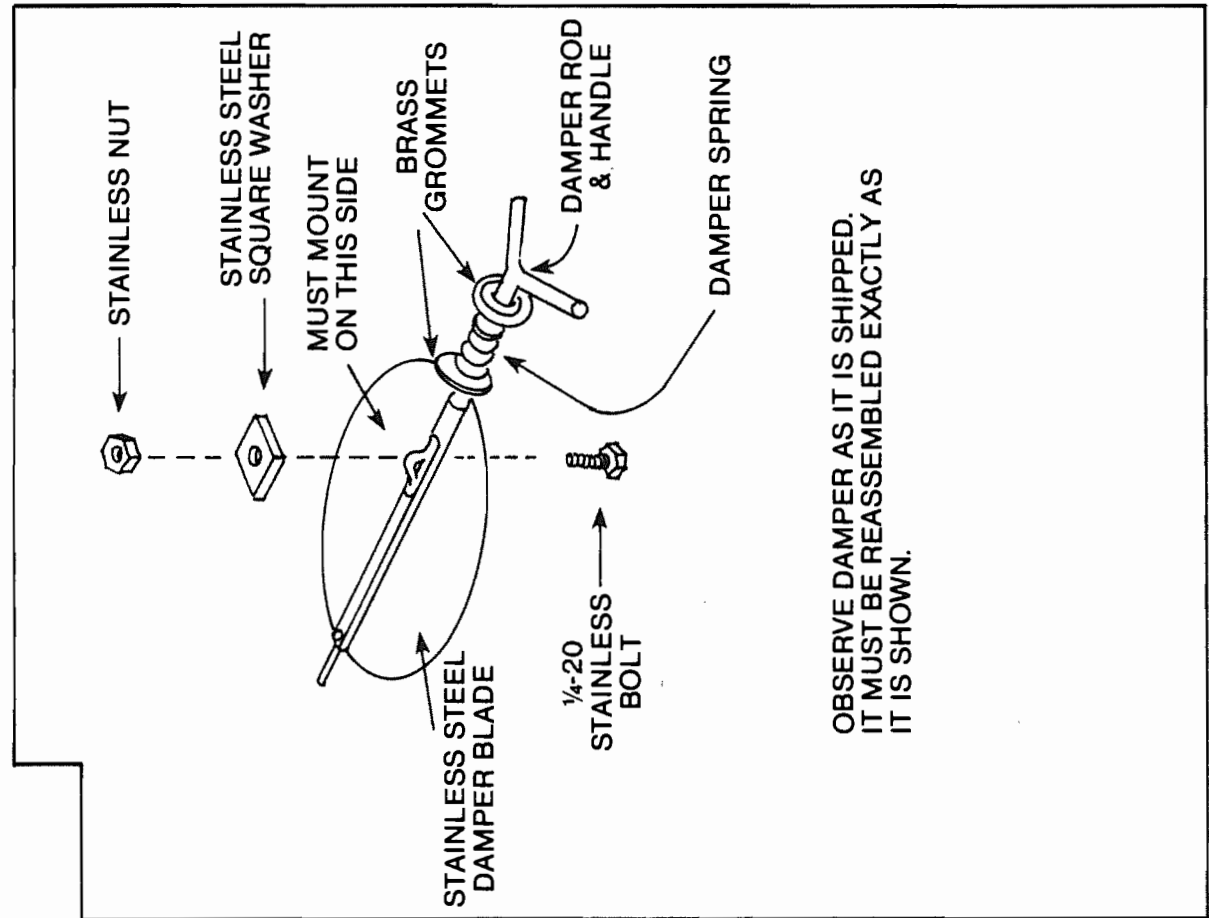


FIGURE 7

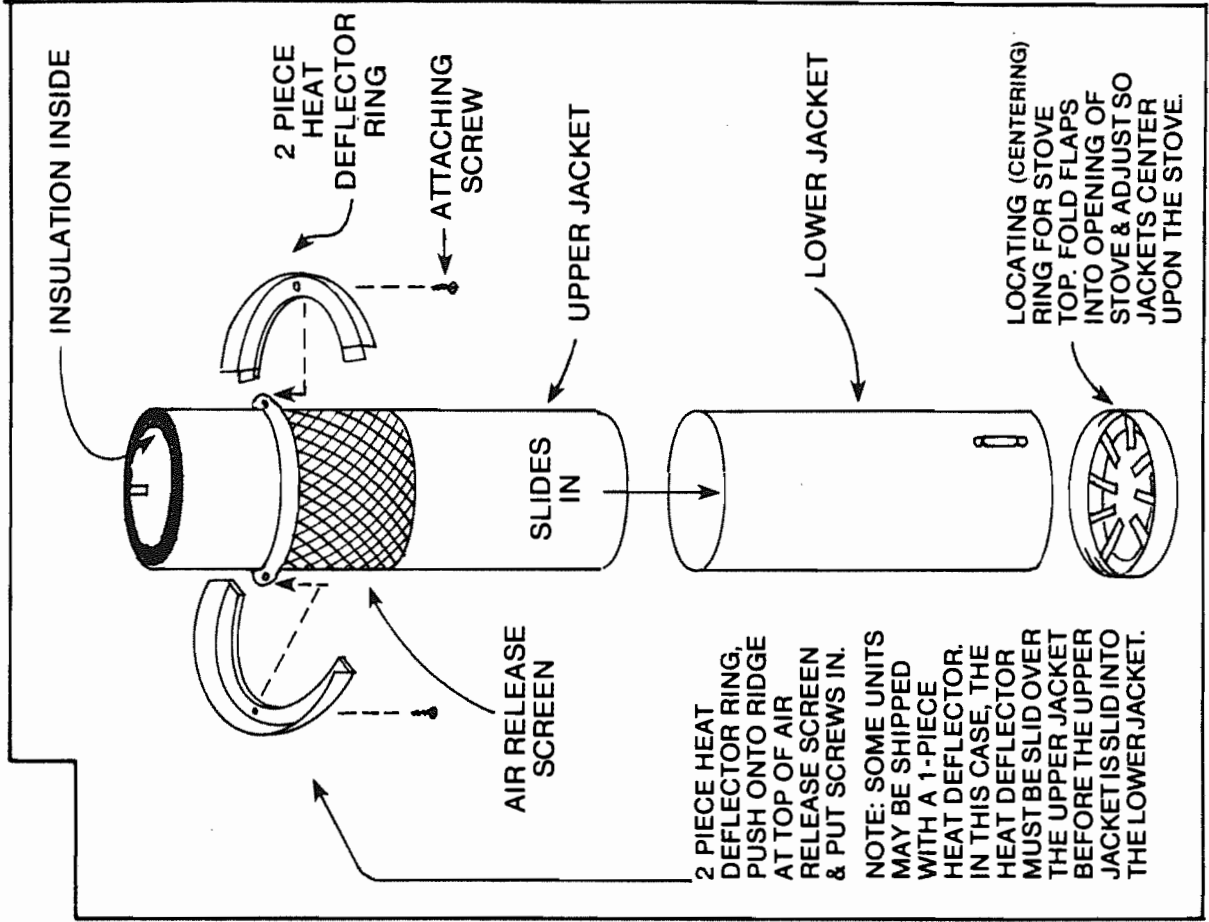


FIGURE 8

SECTION 5 INSTALLING THE DECORATIVE COVER OPTION

To install the decorative cover option, refer to Figure 8 (previous page) and perform the following steps:

1. Install Class A chimney as described in Section 3.
2. Position stove under Class A chimney as described in Section 2.
3. Assemble stainless steel starter section, lower section of decorative cover, and stainless steel damper as described in Section 4.
4. Place the centering ring on the stove, fold flaps into stove opening, and adjust so that the decorative cover centers upon the stove.
5. Insert the sections assembled in Step 3 onto the stove. The crimped part of the starter section should fit snugly into the stove. To ensure a tight fit, grasp the top of the starter section and gently twist it into place.
6. Slide the stainless steel telescoping liner into the stainless steel starter section.
7. Place the top section of the decorative cover over the stainless liner, and into the lower section of the decorative cover, such that the air grill and deflector ring are towards the top.
8. Reach down through the top section of the decorative cover and grasp the stainless steel liner. Raise the stainless liner until it fits snugly into the ceiling support box (or into the single-wall to double-wall adapter -- this adapter is available from the Class A chimney manufacturer, and is generally used with all 7" pipe).
9. Secure the stainless steel liner to the starter section using stainless steel screws. You will have to adjust the top section of the decorative cover in such a way that you can reach through the air grill to insert the screws into the holes provided in the stainless steel starter section. You should use a high speed drill with a screw attachment to drill the screws in place.

NOTE: To install the stainless steel liner without having to secure it to the starter section, perform the following: (a) ignore Steps 6-9, and assemble the stainless steel liner with the top section of the decorative cover before inserting the liner onto the starter section. When you assemble these parts, the flanged end of the liner should face down toward the starter section. (b) Then slide the stainless steel liner up into the Class A chimney as far as necessary in order to move the pipe onto the stove. (c) Then slide the top decorative cover into the lower decorative cover. (d) Next, slide the stainless liner down OVER the starter section until it is snug. (Note that this method is difficult when the distance from the hearth to the ceiling is less than 8'.)

10. Raise the top section of the decorative cover to the chimney support box. Make sure no part of the outside cover is placed over the Class A chimney sections. Holding the top section of the decorative cover snug to the ceiling support box or Class A pipe, secure together the lower and top sections of the decorative cover using the screws provided.

SECTION 6 OPERATION INSTRUCTIONS

CAUTION: Follow the break-in instructions to assure yourself years of trouble free service.

After proper break-in, your Meridian stove is designed for operation with wood and/or various types of coal. Dry, properly seasoned wood will produce more heat than unseasoned wood because little heat is lost driving out the water found in green, unseasoned wood. Store your wood in a dry, vented area to insure adequate and proper seasoning of the wood.

Your stove will burn the larger sizes of anthracite or bituminous coal. Store coal in a dry area to reduce moisture build-up in the coal. Note that the easiest way to use coal in your stove is to use it WITH THE WOOD. Build a wood fire, let it burn down, and then add 5 to 10 lbs of coal.

Never use gasoline, gasoline-type lantern fuel, kerosene, charcoal lighter fluid, or similar liquids to start or 'freshen-up' a fire in this heater. Keep all such liquids well away from the heater while it is in use.

Do Not burn garbage or flammable fluids such as gasoline, naphtha, or engine oil.

Always open damper before opening door.

Do Not attempt to force wood into your stove. A good rule to prevent damage to the liner (ceramic fiber composite) and to prevent overfiring is to never force more wood into the firebowl than what will comfortably go in.

Always operate your unit with the door closed. Be careful not to slam door against the logs, as this can break the glass.

Do Not restrict or alter the intake opening for combustion air. If the intake opening is restricted, air starvation will occur. To adjust the firing rate with your Meridian, use the flue gas damper control. The more the damper is open, the faster the rate of burn.

Do Not overfire your stove. If the Class C flue pipe is glowing red hot at a distance of 16" from the top of the stove then you are overfiring. Immediately shut the damper down and DO NOT add more wood to the fire until the stove pipe has cooled down. If you wish to add alot of wood to the fire (for example, you want it to burn all night), then experiment with different types of wood and different ways of stacking the wood in the stove. For example, after the stove has been heating for several hours, you can add un-split logs, or stack the logs in the stove in such a way that there is little air space between each log. Then experiment with dampering the stove down. Also, remember that unlike metal stoves, the Meridian will continue to throw-off heat even after the fire is extinguished.

Do Not clean the glass while it is hot.

Remove the ashes when they are just below the door frame. Ashes should be placed in a metal container with a tight fitting lid. The closed container of ashes should be removed to the outside of the house and placed well away from all combustible materials. After they have completely cooled, they can be disposed of by burial in soil.

Periodically Inspect your chimney pipe (or chimney) and connector pipe for formation of creosote and soot. These materials can form on your chimney and connector pipe. Creosote is produced by wood, and soot residue is produced by coal. When ignited, these materials produce an extremely hot fire which can damage the chimney and flue pipe. Ideally, these materials should be ignited in the combustion chamber of your stove, where they can cause no damage. To achieve this type of combustion efficiency you must keep the fire in the combustion chamber very hot. This is achieved by using properly seasoned hard wood, and using the stove with the damper wide open (or only partially closed). Keep in mind that the purpose of burning wood (or coal) is to produce heat -- NOT to produce smoke (containing creosote and soot). Many people have a misconception that to have a fire which smolders all night long, producing lots of creosote and soot, is more important than efficiently burning the wood (or coal). Wood and coal are efficiently burned (and produce efficient, SAFE, heat) when they are burned in a manner that ignites the volatile gases (smoke) containing creosote and soot. To do this, you must keep the fire HOT -- but without overfiring. You will achieve this with experience and practice.

Keep your first fires small until you have become familiar with the burn characteristics of the stove.

Save these and all other papers included with your Meridian stove for future reference.

For further information on using your heater, obtain a copy of the National Fire Protection Association publication Using Coal and Wood Stoves Safely, NFPA No. HS-10-1978. The address of the NFPA is 470 Atlantic Ave., Boston, MA 02210.

APPENDIX A
MOBILE HOME INSTALLATION

PARTS REQUIRED

The following parts are required for installing your unit in a mobile home.

Part Number	Description
MSI-5	6 7/8" x 13 1/2" Stainless Steel Starter Pipe
MSI-15	6 5/8" Stainless Steel Damper
MSI-16	1/4" Damper Rod and Spring
MSI-20	Decorative Basket
MSI-30	5/8" Reducer Bushing
MSI-40	Outside combustion air inlet duct

These parts are available from your local Meridian supplier, or contact your manufacturer. Do not install damaged parts.

NOTE: THE OUTSIDE COMBUSTION AIR INLET MUST BE INSTALLED FOR USE IN A MOBILE HOME.

A mobile home requires the use of Class A all-fuel chimney from the starter pipe through the roof. The following chimney manufacturers have completed testing with the Meridian and meet all the code requirements for mobile home installations when installed according to the manufacturer's instructions.

Security Chimney

Parts Required:

- 1 each 7' CPE chimney termination
- 1 each 7" FC storm collar
- 1 each 7" FMH mobile home roof flashing
- 1 each 7" RSMH radiation shield
- 2 each 7" L3 36" pipe sections
- 1 each 7" L2 24" pipe section
- 1 each 7" PB finishing collar

(If your ceiling is taller than 8', additional chimney lengths may be needed.)

Selkirk/Metalbestos Chimney

Parts Required:

1 each	7S-CT chimney terminator
1 each	7S-SA spark arrestor
1 each	7S-SC storm collar
1 each	7S-MF mobile home roof flashing
2 each	7S-30 chimney lengths
2 each	7S-18 chimney lengths
1 each	7S-FC finishing collar

(If your ceiling is taller than 8', additional lengths of chimney pipe may be required.)

These parts are available at most wood stove shops or direct from the manufacturer. Safe installations require the use of these parts.

MINIMUM CLEARANCES

Minimum clearances are shown in Figures A/1 and A/2. Figure A/1 shows backwall and (or) sidewall installation, and Figure A/2 show a corner installation.

Sidewall or Backwall Installation (see Figure A/1)

- A -- 13 1/2 inches from outside of the chimney to the backwall.
- B -- 15 1/2 inches from the outside of chimney to the sidewall.
- C -- 2 1/2 inches from the outside of the stove to the backwall.
- D -- 4 1/2 inches from the outside of the stove to the sidewall.

Corner Installation (see Figure A/2)

- E -- 13 1/2 inches from the outside of chimney to the nearest wall.
- F -- 2 1/2 inches from the outside of chimney to the nearest wall.

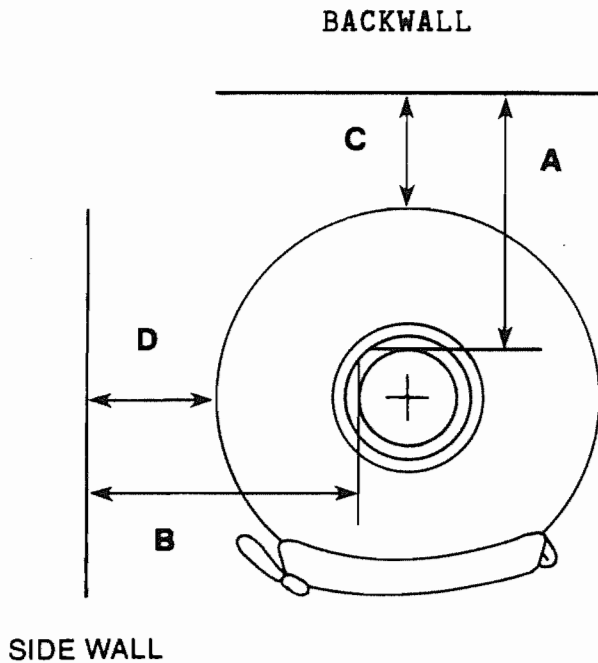


FIGURE A/1

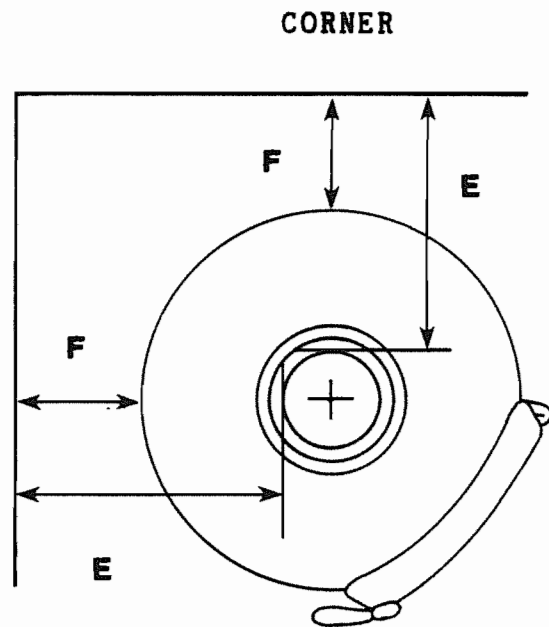


FIGURE A/2

FOR INSTRUCTIONS ON THE FOLLOWING, REFER TO SECTION 2 OF THIS MANUAL:

- o Locating the center of the chimney pipe
- o Locating the hearth and combustion air inlet
- o Installing the chimney
- o Installing outside combustion air inlet
- o Laying down the hearth
- o Positioning the stove

AFTER PERFORMING THE PROCEDURES INDICATED ABOVE, YOU ARE READY TO BEGIN THE BREAK-IN PROCEDURE. THE BREAK-IN PROCEDURE MUST BE PERFORMED BEFORE YOU BUILD YOUR FIRST FIRE. ALSO, BE SURE TO STUDY THE OPERATING INSTRUCTIONS IN SECTION 5.

NOTE: If you need to move your mobile home, be sure to secure your Meridian to the floor. The necessary bars and turnbuckle are available from your dealer or the manufacturer.

This limited warranty is written in strict accordance with the Magnason-Moss Warranty Act.

LIMITED WARRANTY

Meridian will replace, at no cost to the owner, any defective part or material which affects the operation of its products for a period of 5 years from the date of purchase, with the exceptions noted below. The owner may at his option and expense, have the product shipped to the factory for repair. **All labor and material costs for repair at the factory will be borne by Meridian, the unit will then be shipped back to the owner, freight collect.**

If a defect is discovered, immediately contact Meridian of Southern California, Inc. for instructions regarding return and replacement of the defective part or material, or contact the dealer from whom you purchased the unit.

The ceramic glass used in the Meridian is of the highest quality available in the solid fuel appliance industry today, but is only covered for a period of one year by this limited warranty. If replacement is necessary, contact Meridian or the dealer from whom you purchased the unit.

The stainless steel damper is also of the highest quality, but is only covered for a period of one year from date of purchase. If replacement is necessary, contact your dealer from whom you purchased the unit or Meridian.

The flue pipe and heat exchanger are also of the highest quality, but are not covered by this warranty but rather by the pipe manufacturer. Contact Meridian for the name of the supplier and warranty information.

The Ceramic Fiber Composite (CFC) on the firebowl carries a one year warranty from defects. See Maintenance instructions for further details. Contact Meridian or the dealer from whom you purchased the unit for replacement of this material if necessary.

This warranty does not extend to minor tile repair or replacement which is easily repairable by the owner. See Maintenance instructions for further details.

THIS WARRANTY DOES NOT COVER DAMAGE CAUSED BY ABUSE, OR MISUSE, OR IF THE UNIT IS USED CONTRARY TO INSTRUCTIONS SET FORTH IN THE OPERATION AND MAINTENANCE MANUAL SHIPPED WITH THE UNIT. IN PARTICULAR, THIS WARRANTY DOES NOT COVER DAMAGE TO THE UNIT IF PERIODIC INSPECTION AND APPLICATION OF CFC ON THE FIRE-BOWL IS NOT PERFORMED AS SET FORTH IN THE OPERATION AND MAINTENANCE MANUAL SHIPPED WITH THE UNIT.

THE MANUFACTURER IS NOT LIABLE FOR INCIDENTAL OR CONSEQUENTIAL DAMAGES RESULTING FROM DEFECTS IN MATERIAL OR WORKMANSHIP OF THE UNIT (SOME STATES DO NOT ALLOW THE EXCLUSION OR LIMITATION OF INCIDENTAL OR CONSEQUENTIAL DAMAGES, SO THE ABOVE EXCLUSION MAY NOT APPLY TO YOU.).

This warranty applies to the original purchaser only. This warranty is non-transferrable.

This warranty is void if the attached registration card is not completed in its entirety and mailed within 30 days from the date of purchase.

This warranty gives you specific legal rights, and you may also have other rights which vary from state to state.

In the event of a claim under this limited warranty, contact the dealer from whom you purchased the stove, or contact Meridian at the address shown below. Indicate the serial number, the place purchased, the purchase price and the date of purchase.

MERIDIAN
P. O. Box 157
Tecate, CA 92080