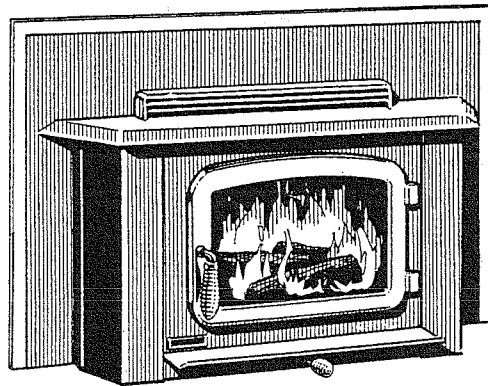
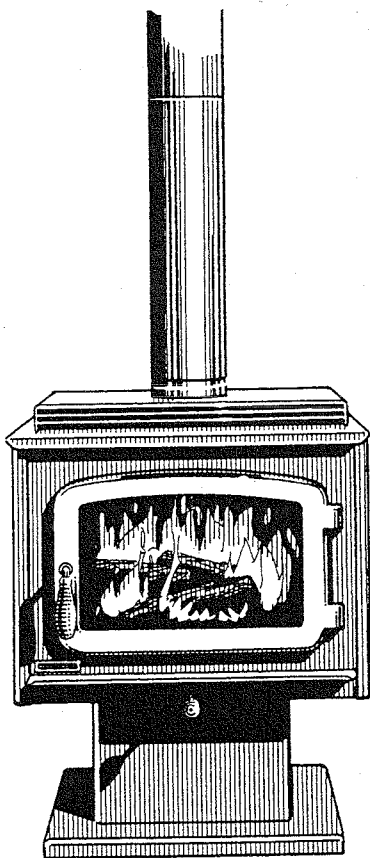


# INSTALLATION & OPERATION MANUAL

*(SAVE THESE INSTRUCTIONS!)*

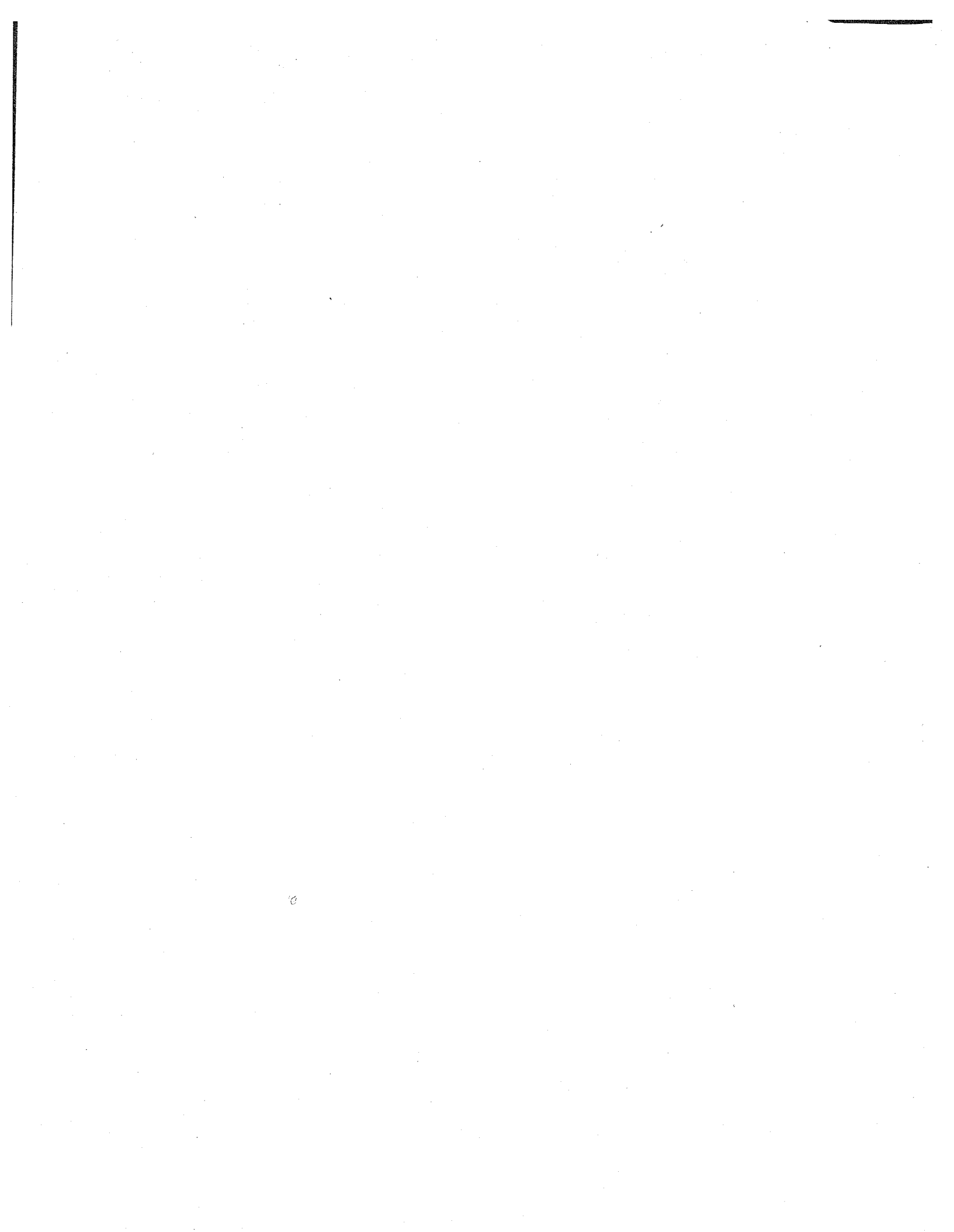


## *Legacy* *Freestanding Wood Stoves & Fireplace Inserts*



*Legacy models 950, 1650 & 2150*

All *Legacy* models are tested to EPA standards and approved by Warnock Hersey, Ltd. to standards: UL 1482 and 907, CSA B366.2, S627, ULC S628. Model 950 is tested and listed for alcove and mobile home installation.



# ***SAVE THESE INSTRUCTIONS*** **IMPORTANT! - PLEASE READ**

- IF THIS STOVE OR INSERT IS NOT PROPERLY INSTALLED, A HOUSE FIRE MAY RESULT.
- FOR YOUR SAFETY, FOLLOW THE INSTALLATION DIRECTIONS.
- *Legacy* MODELS MUST BE CONNECTED TO A LISTED HIGH TEMPERATURE (COMPLYING WITH UL-1985) RESIDENTIAL TYPE AND BUILDING HEATING APPLIANCE CHIMNEY OR AN APPROVED MASONRY CHIMNEY WITH FLUE LINER.
- THIS UNIT MAINTAINS HIGH TEMPERATURES WHEN IN USE.
- KEEP COMBUSTIBLE MATERIALS SUCH AS FIREWOOD, PAPER AND FURNISHINGS CLEAR OF THE APPLIANCE.
- WARN CHILDREN OF THE UNIT'S HIGH TEMPERATURES.
- PRIOR TO INSTALLATION, INSPECT YOUR CHIMNEY TO ENSURE IT IS IN GOOD CONDITION AND FREE OF CRACKS.
- CONTACT LOCAL BUILDING OR FIRE OFFICIALS REGARDING RESTRICTIONS AND INSTALLATION INSPECTION REQUIREMENTS FOR YOUR AREA.
- DO NOT CONNECT THIS UNIT TO A CHIMNEY FLUE SERVICING ANOTHER APPLIANCE.

**CAUTION:** DO NOT CONNECT THIS UNIT TO ANY AIR DISTRIBUTION DUCT OR SYSTEM.

# TABLE of CONTENTS

INSTRUCTIONS .....	Pg. 1
TABLE of CONTENTS .....	Pg. 2
SAFETY NOTES .....	Pgs. 3 & 4
WOOD .....	Pgs. 4 & 5
STARTING a FIRE .....	Pg. 5
FIRST FIRE .....	Pg. 5
REMOVING ASHES .....	Pg. 5
CLEANING GLASS .....	Pg. 6
REPLACING GLASS .....	Pg. 6
FIRE EXTINGUISHER and SMOKE DETECTOR .....	Pg. 6
CREOSOTE .....	Pg. 7
CHIMNEY FIRE or OVERFIRE .....	Pg. 7
MAINTENANCE .....	Pg. 7
BACKPUFFING .....	Pg. 7
<i>Legacy</i> OPERATION .....	Pg. 8
FIREBRICK ASSEMBLY (w/ illustrations) .....	Pgs. 9 - 12
FREESTANDING INSTALLATION .....	Pg. 13
OUTSIDE AIR .....	Pg. 13
CHIMNEY CONNECTION .....	Pg. 13
WOOD STOVE CLEARANCES TO COMBUSTIBLES .....	Pg. 14
ALCOVE INSTALLATION .....	Pg. 14 & 15
FIREPROOF HEARTH PAD .....	Pg. 15
INSTALLATION INTO MASONRY FIREPLACE .....	Pg. 15
CONNECTION TO A MASONRY FIREPLACE .....	Pg. 16 & 17
INSERT CLEARANCES TO COMBUSTIBLES .....	Pg. 17 & 18
MOBILE HOME INSTALLATION .....	Pg. 18
OUTSIDE AIR- MOBILE HOME .....	Pgs. 18 & 19
OPTIONAL BLOWER .....	Pgs. 19 & 20
FREESTANDING/INSERT SPECIFICATIONS .....	Pg. 20
ENERGY KING WARRANTY .....	Pg. 21
ENERGY KING WARRANTY CARD .....	Pg. 21



Congratulations on your purchase of an Energy King woodburning appliance. Your stove or insert is designed for a lifetime of durable, reliable performance and easy operation. We appreciate your selection of the *Legacy* - an appliance we're confident will continue to be a satisfying and rewarding addition to your home for many years to come.

This manual describes the installation and operation of *Legacy* freestanding stove models 950, 1650 and 2150, as well as fireplace insert model 1650. These heaters meet the U.S. Environmental Protection Agency's Phase II emissions limits for wood heaters sold after July 1, 1992.

Before installing your Energy King, PLEASE READ ALL OF THE OWNER'S MANUAL AND SAFETY NOTES.

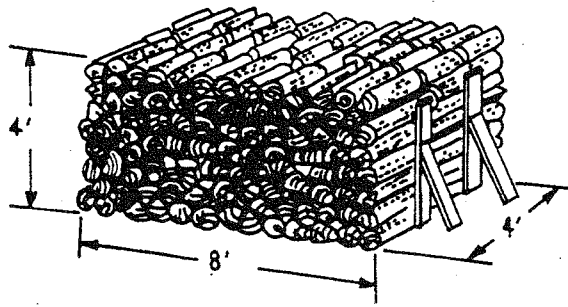
## SAFETY NOTES - IMPORTANT!

- 1 Never use gasoline or similar liquids to start or freshen a fire. Keep all such liquids away from your stove or insert.
- 2 Watch your unit closely during operation. If any part starts to glow red or white, it is in an overfire condition. Close the air control completely until the glowing has stopped.
- 3 Never burn wet or green wood. It produces less heat and more soot and creosote. Store all wood in a dry location, away from the elements.
- 4 Do not let an accumulation of either soot or creosote build up in your chimney or inside the firebox.
- 5 Check your chimney system carefully before installation. If in doubt about its condition, contact a professional.
- 6 Do not connect your solid fuel appliance to a chimney flue already venting another appliance.
- 7 Dispose of ashes with care. They must be stored in a noncombustible, metal container.
- 8 Comply with all minimum clearances to combustibles as they appear in this manual
- 9 Operate your unit only with the door closed. Open the door to feed the fire only.

- 10 Energy King wood stoves and inserts are for use with wood only.
- 11 Consult your local building codes before installation.
- 12 Build the fire directly on the firebrick. Do not elevate the fire by using grates or andirons. A minimum of 8 square inches of outside air must be admitted to the room or directly to the stove through a 4" diameter pipe.
- 13 You will need to cure the painted surfaces of your Energy King. For the first few fires, adjust the air control to a medium fire after ignition. For the first two burns, keep temperatures at approximately 250°F during a 20 minute fire. During the next burn, maintain a temperature of approximately 500°F to 700°F for at least 45 minutes. This will allow the paint to cure in an even manner. There may be paint fumes during initial fires. Allow the unit to cool down between burns. Do not touch the surface. It will be soft and gummy during the curing process. Once cured, this won't be a problem. **BE SURE TO VENTILATE YOUR HOME WELL.**
- 14 Start your fire with paper and kindling. Add fuel slowly as the fire progresses. Do not burn large quantities of paper or foreign materials that promote an extremely hot, quick fire. Keep the door closed during operation. Do not burn coal or charcoal in this unit, since they may produce carbon monoxide. Never burn treated wood, colored paper, cardboard, solvents or garbage. These produce more pollution than wood.
- 15 When reloading your unit, open the stove pipe damper (recommended for your safety), and wait a short period of time before opening the door.
- 16 For further information on using your wood stove or insert, obtain a copy of the National Fire Protection Agency's 'Using Coal and Wood Stoves Safely', NFPA 211. The address of the NFPA is 470 Atlantic Ave., Boston, Massachusetts, 02210.

## WOOD

- Choosing the proper firewood to burn in your appliance depends on what is available locally.
- Softwoods like pine and fir light easily and burn rapidly, with hot flames. But since they burn so easily and quickly you will have to spend more time loading your stove, especially at high burn rates. With softwoods it will be much more difficult to achieve an overnight burn.
- It is best to use dense hardwoods for a longer lasting fire. It is also a good idea once the fire is established to use larger diameter wood stacked tightly together. This will promote a longer burn time.
- So that you have an idea of how firewood is sold, you should first know that the most common measurement is the standard 'CORD'. A cord is a neatly stacked pile of wood measuring 4' x 4' x 8'. ALWAYS try to buy the driest wood possible, especially if you must purchase wood by weight. Unseasoned, wet wood is much heavier.



- If you are going to cut your own wood, plan on drying it at least 6 months to 1 year. Stack the wood so air can circulate around the wood. Wood should be stored in a well sheltered, ventilated area to allow proper drying during the year to come.
- Firewood lengths for *Legacy* model 950 should be 16" or less. For the 1650, 18" or less, and for the 2150, 20" or less.
- Burn only dry, seasoned wood. It produces more heat with less soot and creosote. Do not burn beach wood. Its salt content produces acid that corrodes metal.

## STARTING A FIRE

Place loosely crumpled paper on the firebox floor and cover it with dry kindling. Open the draft control all the way and light the fire. After the fire is established, add more dry wood, and close the draft control partially to adjust the burn rate. (Push the control in for a low burn rate, or pull out for a high burn rate.) *Legacy* units will burn efficiently, with barely any smoke escaping up the chimney, once proper operating temperatures have been reached. The stove will burn best at stove top temperatures of 250°F (120°C) to 450°F (270°C). At adequate operating temperatures, the unit will establish a bed of orange coals, and colorful secondary flames will hover beneath the baffle area.

## FIRST FIRE

It will take two or three hours at a high burn rate for the chimney, firebricks and steel of the unit to warm up and operate at peak performance. The paint on the unit will need to cure, and a slight odor may result. Open a door or window as the paint cures if necessary. See page 4 #13 for curing instructions. When refueling, open the door slowly to prevent smoke spillage. Keep firewood at least 3 feet (1m) from the stove.

## REMOVING ASHES

Maintain an ash bed of two or three inches on the firebox floor. Regularly remove excess ash and place it in a metal container with a tight fitting lid. Do not put ashes or any other material or waste in the same container. Store the container on a noncombustible floor well away from combustible materials.

## CLEANING GLASS

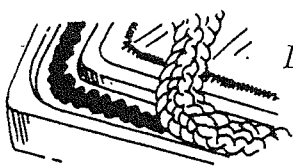
Your unit is equipped with super heat resistant glass, available through your Energy King retailer. The glass can only be broken by impact or misuse. Never slam the door or strike the glass. When loading fuel, be sure the logs don't touch the glass. In case of breakage, glass should be replaced only with Energy King retailer-supplied glass.

Although the unit is designed to help keep the viewing glass clear, several factors can lead to soot or creosote accumulation on the glass. These include adding insufficient fuel to the fire so that the appliance never reaches proper operating temperatures, burning green or wet wood, and closing the draft too far. If it becomes necessary to clean the glass, use soft cloths with no abrasives on cool glass. **DO NOT CLEAN GLASS WHEN HOT.**

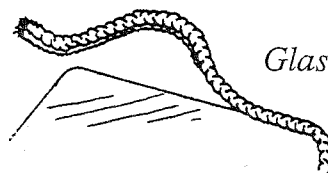
## REPLACING GLASS

The glass is designed to withstand high temperatures and impact. Use care when closing the door. Do not let burning wood rest against it, and **never strike or slam the door**. If the glass cracks when the unit is operating, let the fire go out completely before opening the door, and replace the glass before operating the stove again. Your Energy King retailer can provide you with replacement glass. The *Legacy* is designed for use with 17" (432mm) x 10.5" (267mm), 5mm Pyroceram glass. Do not use substitute glass! **WARNING: This procedure is to be done on cool glass only.**

To replace the glass, remove the door by opening it and lifting it up. Place the door face down on a towel, and remove the screws which retain the steel keepers. Carefully remove all broken glass. Attach the provided adhesive-backed fiberglass gasketing. Replace the glass in the door and screw in the steel keeper. Finished glass should move slightly, both horizontally and vertically.



Door Gasket



Glass Gasket

## FIRE EXTINGUISHER & SMOKE DETECTOR

A fire extinguisher should be on hand in case of fire. Be sure everyone in your family is familiar with its location and operation. A smoke detector, in good working order, should be installed in the same room as the appliance. Never deactivate or relocate the smoke detector.



# **CREOSOTE - ITS FORMATION & REMOVAL**

When wood is burned slowly, it produces tar and other organic vapors which combine with moisture from the wood to form creosote. These vapors condense in the relatively cool chimney flue and if ignited, create an extremely hot fire. The pipe and chimney should be inspected monthly during the heating season to determine if a buildup has occurred. If creosote has accumulated, it should be removed to reduce the risk of chimney fire

## **CHIMNEY FIRE OR OVERFIRE**

If your unit overfires, or glows red:

1. Call the Fire Department.
2. Close the draft control completely.
3. Check the pipe, chimney, attic and roof of the house to determine if there is a fire. If so, extinguish the fire with a fire extinguisher or garden hose.
4. Do not operate the stove again until you determine that the chimney and its lining have not been damaged.

## **MAINTENANCE**

At the end of each heating season, clean the chimney and the pipe. Vacuum out any ash accumulation above the unit's top brick baffle. If the secondary air tube deflector is eroded, replace it. It is attached to the tube above it with two 1/4" bolts. Also replace any worn gasketing or broken firebrick. Door gasketing is 3/4" (19mm) fiberglass. Firebrick can be purchased from your Energy King retailer.

## **BACKPUFFING - SMOKE FROM CLOSED DOOR**

If smoke enters the room when the door is closed, check for the following possible causes:

1. Proper draft has not had time to establish. (Open the draft control.)
2. Blockage in the unit, stovepipe or chimney. (Clear blockage.)
3. Room is too airtight, or appliance is not connected to outside air. (Open a window.)
4. Horizontal pipe is too long, or has too many bends.
5. Leaks in the chimney.
6. Cold outside chimney.
7. Chimney is too short.
8. Chimney is too close to trees or to a nearby roof.

# HOW THE *Legacy* OPERATES

All *Legacy* models operate on the same principle. All meet the Environmental Protection Agency's 1992 Phase II emissions standards.

**1. One Touch Draft Control-** regulates burn rate and heat output in seconds.

**2. Primary Air** enters the *Legacy* from beneath the unit. It is then drawn up through tubes on each side of the door. The air enters a preheating manifold and forms the *Legacy's* prewarmed airwash system. After cascading across the viewing glass, the air provides a steady stream of oxygen to the fire for a complete, even burn.

**3. Secondary Air** enters the *Legacy* from below the unit as well, where it is drawn up the back of the stove and into a specially designed secondary air tube.

**4. Secondary Air Tube** injects a lateral stream of combustion air into the unburned gases trapped beneath the baffle area. These gases ignite in a burst of blue flame, boosting the heating value of the stove significantly.

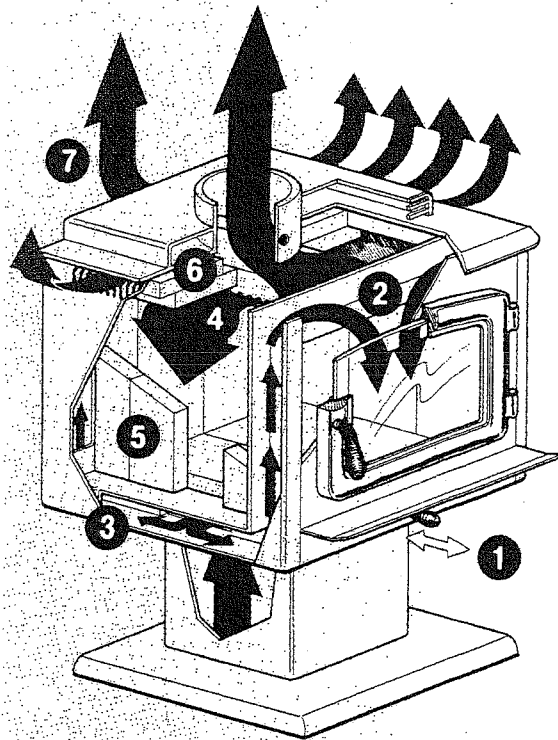
**5. Firebrick Lining Throughout** the firebox - another *Legacy* plus, retains high temperatures for a hot, efficient, clean burning fire.

**6. Superheated Baffle** - performs a dual function - it acts to trap the poten-

tially polluting gases, (a natural by-product of burning wood), and to ignite those gases in conjunction with hot secondary air entering the area from the secondary air tube.

**7. Full Convection Chamber** on all stoves directs the heat around the warm surfaces of the firebox.

**8. 5 Year Warrantly** - The *Legacy* series carries a five year limited warranty on workmanship and materials.



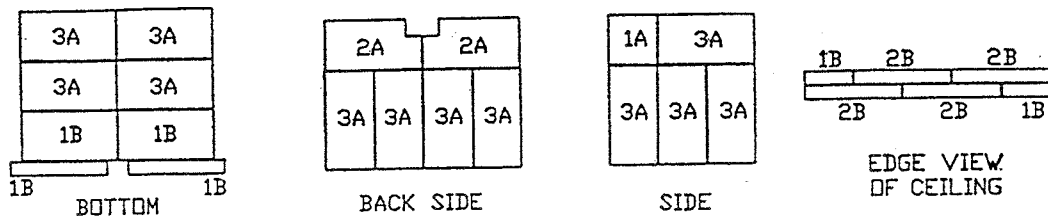
# **FIREBRICK ASSEMBLY - MODELS 950, 1650 & 2150**

Before brick placement, complete the installation of your unit and chimney system.

1. Install the two front and two bottom insulating firebricks. (Labeled "1B" on parts list.)
2. Alternately install side and bottom firebricks. Side bricks will not stand alone and must be held in place by the bottom bricks. (Labeled "3A" on parts list.)
3. Install lower row of back firebricks. The gaps between the bricks on the bottom are designed to collect ash. (Labeled "3A" on parts list.)
4. Install the two upper back firebricks. (Labeled "2A" on parts list.)
5. Install the two upper side firebricks. (Labeled "3A" on parts list.)
6. Install insulating ceiling firebricks through the opening at the front of the firebox. Ceiling bricks should be staggered so be sure to start with a half brick (labeled "1B" on parts list) on the first layer and end with a half brick on the second layer. Push ceiling firebricks all the way to the back.
7. Install two remaining side firebricks. (Labeled "1A" on parts list.)
8. Install firebrick retainers by pushing up on the outer edge of the ceiling bricks with the retainer. After clearing the side firebricks push the retainer over the top of the side bricks to the side wall. Ceiling bricks should fall into place.

**Remove and clean the ceiling bricks once a year. Replace any broken bricks.**

# Legacy 950 FIREBRICK INSTALLATION

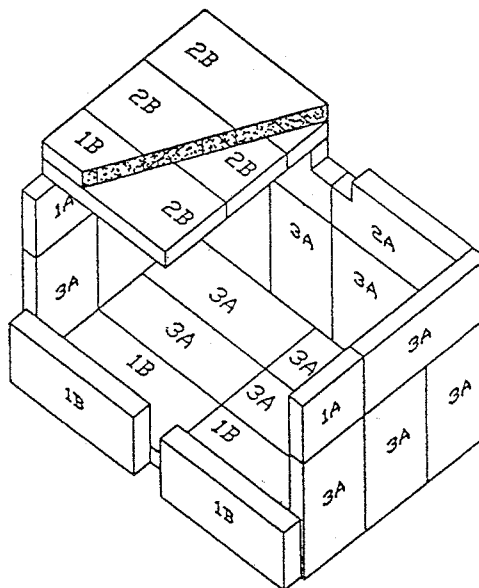
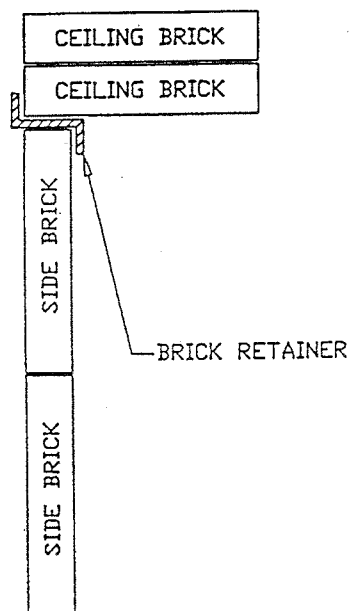


## STANDARD FIREBRICK

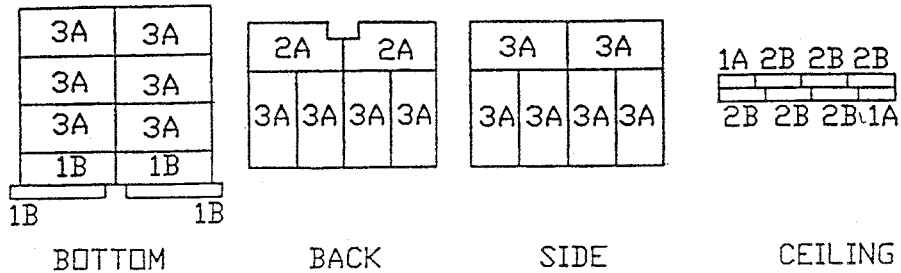
1A	2@ 4.5 X 4.5 X 1.25
2A	2@ 4.5 X 9 X 1.25
3A	16@ 4.5 X 9 X 1.25

## INSULATED FIREBRICK

1B	8@ 3 X 9 X 1.25
2B	8@ 4.5 X 9 X 1.25



# Legacy 1650 FIREBRICK INSTALLATION



## STANDARD FIREBRICK

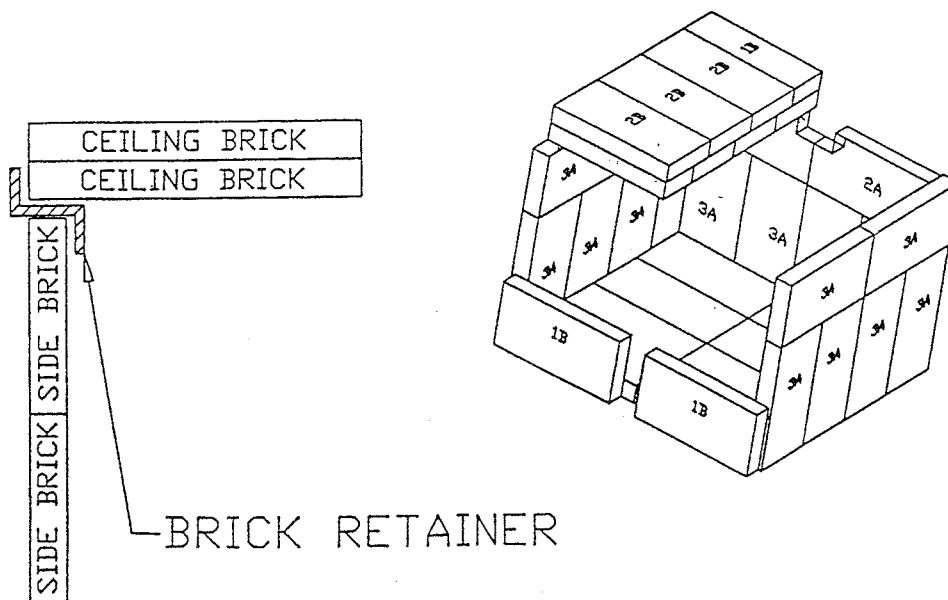
**2A** 2@ 4.5 X 9 X 1.25

**3A** 22@ 4.5 X 9 X 1.25

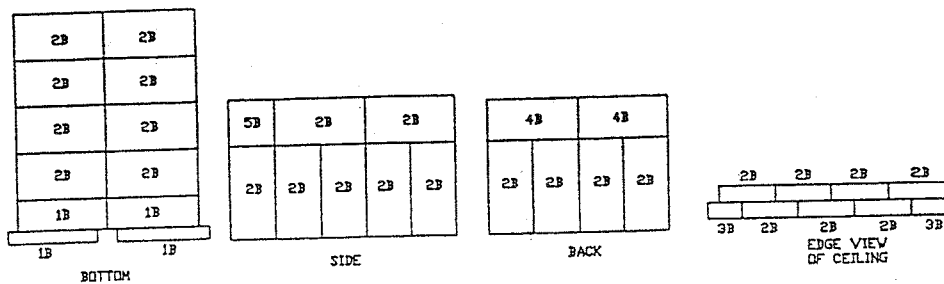
## INSULATED FIREBRICK

**1B** 8@ 3 X 9 X 1.25

**2B** 12@ 4.5 X 9 X 1.25

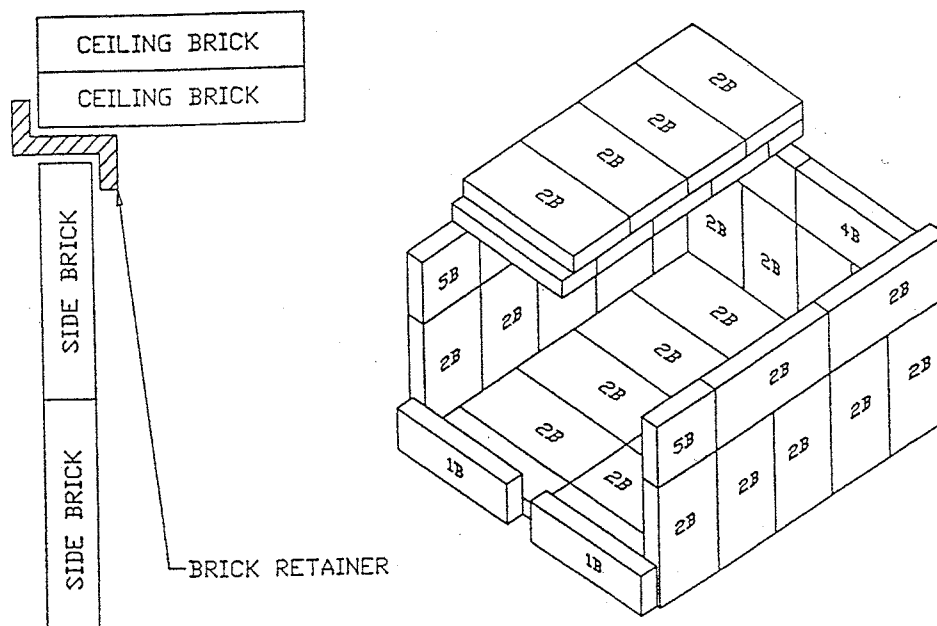


# Legacy 2150 FIREBRICK INSTALLATION



## INSULATED FIREBRICK

1B	4@ 3 X 9 X 1.25	4B	2@ 4 X 9 X 1.25
2B	40@ 4.5 X 9 X 1.25	5B	2@ 4.5 X 4.5 X 1.25
3B	4@ 2.7 X 9 X 1.25		



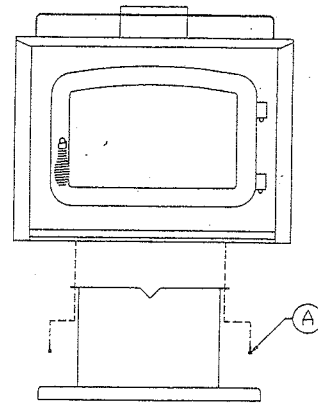
# FREESTANDING INSTALLATION

BASE MOUNTING INSTRUCTIONS:  
(see drawing)

## OUTSIDE AIR

If possible, connect the stove to outside air from the back of the pedestal with the 4" diameter fresh air adapter. A minimum of 8 square inches of outside air must be admitted to the room or directly to the stove.

PEDESTAL INSTALLATION



(A) 4 EACH .250-14 UNC  
SELF TAPPING SHEET  
METAL SCREWS

## CHIMNEY CONNECTION

Vent the stove into a masonry chimney in good condition, conforming to local codes, or an approved, insulated, solid fuel stainless steel chimney suitable for use with solid fuels and conforming to ULC S629 in Canada or UL 103 HT in USA, with as short and straight six inch stovepipe as possible. Stovepipe should be 24 gauge or heavier, single wall black pipe. Connection to a masonry chimney must be by a metal or masonry thimble cemented into place. An insulated stainless steel chimney must be supported at the ceiling or roof. Install the chimney only according to the chimney manufacturer's instructions. Total stovepipe length should not exceed 40% of chimney height above the stove. Stovepipe should slope upwards, and must be tightly secured with three equally spaced sheet metal screws.

Horizontal installation through an outside wall, with chimney rising along the outside wall, is also approved. This type of installation requires at a minimum, a wall pass through device, a wall support package, an insulated "T" section and roof flashing. Be sure to follow the chimney manufacturer's instructions.

**CAUTION:** Uninsulated pipe should not be installed so that it passes through an attic, roof space, closet or similar concealed space, or through a floor, ceiling, wall, partition, or any combustible surface. DO NOT USE MAKESHIFT MATERIALS DURING INSTALLATION! USE ONLY LISTED CHIMNEY CONNECTOR AND FOLLOW MANUFACTURER'S INSTRUCTIONS.

**CAUTION:** DO NOT CONNECT THIS UNIT TO A CHIMNEY FLUE SERVING ANOTHER APPLIANCE

**CAUTION:** DO NOT CONNECT THIS APPLIANCE TO ANY EXISTING AIR DISTRIBUTION DUCT OR SYSTEM.

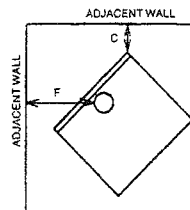
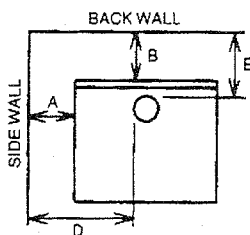
FOR SAFE INSTALLATION OF YOUR APPLIANCE, REFER TO NFPA (NATIONAL FIRE PROTECTION AGENCY) 211 OR LOCAL FIRE AND BUILDING CODES.

# MINIMUM CLEARANCES TO COMBUSTIBLES

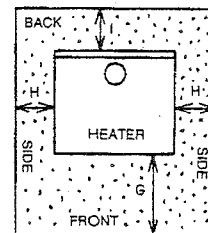
	Residential Installation with Single Wall Pipe (Listed HT Chimney)			Mobile Home Installation with Double Wall Pipe (Listed HT Chimney)
<u>Model</u>	<u>950</u>	<u>1650</u>	<u>2150</u>	<u>Model 950 Only</u>
A. Sidewall to Unit	16"	16"	22"	14"
B. Backwall to Unit	10"	12"	12"	6"
C. Adj. Wall to Unit	6"	6"	8"	2"
D. Sidewall to Pipe	25"	25"	31"	23"
E. Backwall to Pipe	13"	16.5"	16.5"	9"
F. Adj. Wall to Pipe	16"	16.5"	19"	11.5"

- Mobile Home Installation - Model 950 Only
- Connect to a listed Security DL6 chimney system in Canada
- Connect to a listed HT chimney in USA

Specified clearances apply and unit may be installed in conventional homes if specified connectors are used.



Combustible floor must be protected by 1" thickness of calcium silicate board having a thermal conductivity of  $K=0.14 \text{ W/MC}^\circ$  at  $540^\circ\text{C}$ , or equivalent noncombustible material. The floor protection must extend at least 6" (200mm) to each side (H) and to the back (I), and 16" (406mm) to the front (G), as illustrated.



## ALCOVE INSTALLATION

Residential Alcove Installation  
Model 950 Only

Use only listed double wall connector - U.S.  
In Canada - DL6 double wall connector

Min. Alcove Height 7 ft.  
Max. Alcove Depth 4 ft.  
Min. Alcove Width 55"

A. Sidewalls to Unit 14"  
B. Backwall to Unit 6"  
C. Sidewall to Pipe 23"  
D. Backwall to Pipe 9"



Model 950 may be installed in an alcove at least 7 ft. high, at least 55" wide, and no more than 4 ft. deep, with a listed double wall pipe. All freestanding installation requirements must be met, as well as alcove installation requirements.

## FIREPROOF HEARTH PAD

The stove must be placed on a floor protector if the floor is wood or other combustible material. The floor protector must extend 6" to each side and in back of the stove, and 16" to the front of the stove. For floor protector materials, see information under clearances to combustibles.

## INSTALLATION INTO MASONRY FIREPLACE

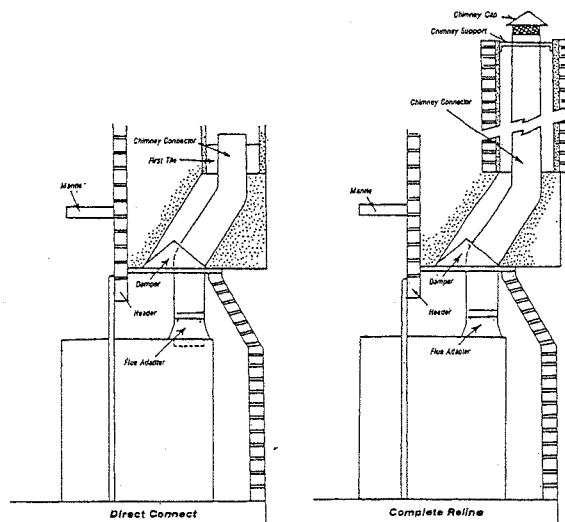
Proper draft must be provided for your Legacy fireplace insert. Draft is the force which moves air from the stove up through the chimney. The amount of draft depends on the length of the chimney, local geography, nearby obstructions and other factors. Too little draft may cause backpuffing into the room and plugging of the chimney.

Although the *Legacy* insert model 1650 is approved for installation and use with a face seal only, we strongly recommend the use of one of the following techniques to provide the proper draft:

GOOD - Minimum 12" starter pipe

BETTER - Direct connection to the first flue liner in accordance with the requirements of the standards for chimneys, fireplaces and vents, NFPA 211 or applicable local codes.

BEST - Complete relining of chimney system to 6" diameter steel chimney connector.



The *Legacy* 1650 insert is intended only for installation into a masonry fireplace constructed in accordance with the requirements of the Standard for Chimneys, Fireplace, Vents and Solid Fuel Burning Appliances, NFPA No. 211, or applicable local code requirements. Please consult local building and fire officials about fire restrictions and installation requirements. **FOR USE WITH WOOD ONLY.**

# CONNECTION TO A MASONRY FIREPLACE

There are several kits available to connect the stove to a masonry fireplace. Look for a listed kit. The kit is an adapter which is installed at the location of the fireplace damper. The existing damper may have to be removed to allow installation of the kit. The key points of this type of stove connection are that the connector pipe must extend up the chimney above where the fire clay liner starts, and that the areas of the kit installation and connector penetration should fit tightly and be sealed with high temperature furnace cement unless the kit's instructions state otherwise.

**The tight fitting installation aids the proper draw of the chimney.**

DO NOT REMOVE BRICKS OR MORTAR FROM THE MASONRY FIREPLACE. INSTALL AND USE ONLY IN MASONRY FIREPLACE. USE A LISTED FLOOR PROTECTOR OR ANY NONCOMBUSTIBLE MATERIAL. FIREPLACE INSERT FLOOR PROTECTOR MUST EXTEND AT LEAST 8 INCHES TO EACH SIDE OF THE UNIT AND 21 INCHES IN FRONT.

The *Legacy* 1650 will insert into any masonry fireplace that is at least 29" wide, 23" high and 15" deep.

## BEFORE INSTALLATION

A). Check to make sure your masonry fireplace and chimney are in safe condition. Check the chimney for cracks, loose mortar and other signs of deterioration and blockage. The insert should not be installed until it is determined that the chimney is safe for use. Since an oversized flue contributes to the accumulation of creosote, the size of the flue should be no larger than 8 inches by 8 inches in diameter. The fireplace must be constructed to meet UBC chapter 37 standards.

B). Clean the fireplace thoroughly.

C). Remove damper plate or block into open position with a non-combustible material.

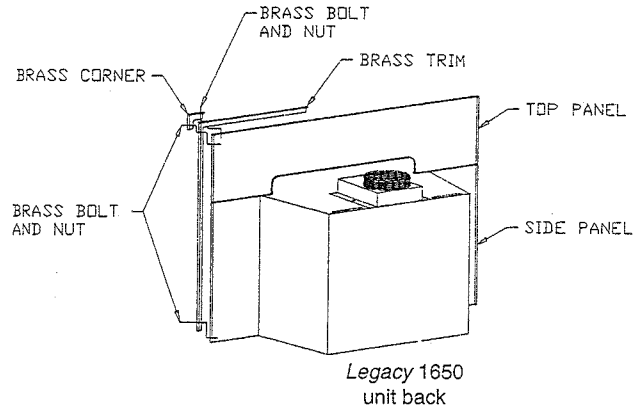
D). Flue and chimney should be cleaned before installation.

## DIRECT CONNECT

Attach 8" obround direct connect (flue adapter) provided, to chimney connector. After installing 1650 insert into masonry fireplace, fasten direct connect to 1650 insert with mounting bolts provided.

## BRASS TRIM

1. Place side brass pieces on side of trim panels and cut to length.
2. Place top brass piece on top trim panel overlapping side brass pieces and cut to length.
3. Place brass corner piece over the overlapping side and top pieces. Mark and drill two 3/16" holes through brass.
4. Drill one 3/16" hole near the bottom of each side brass piece.
5. Using six brass bolts and nuts, bolt brass trim to trim panels.



## INSTALLATION

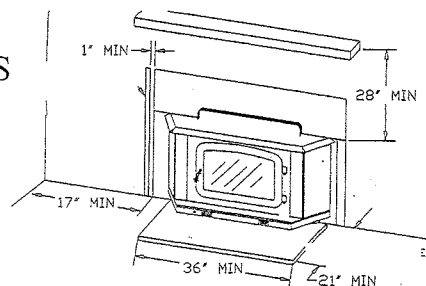
Place insulation around panels. Slide insert into masonry fireplace. Be sure to center and level unit in place. Push tight against fireplace front. Make sure unit is in far enough to allow proper chimney hook-up and smoke outlet is in back of fireplace lintel to assure safe operation. If the brick is rough, additional insulation may be needed. Use only HIGH HEAT insulation approved for woodburning stoves and inserts.

## INSERT CLEARANCES TO COMBUSTIBLES

The 1650 insert must be installed maintaining minimum clearances to combustibles (measured to unit). These clearances apply when the unit protrudes to a maximum 3.5" from the fireplace face. The unit may protrude more than 3.5" if there are no combustible facings or mantles around or above the fireplace opening and no combustible materials within 17" to the sides of the unit. See also hearth extension requirements.

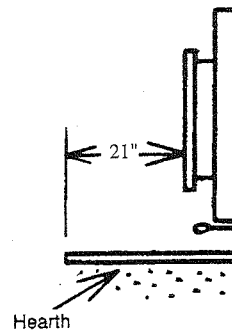
### MINIMUM CLEARANCE TO COMBUSTIBLES

A. Adj. Sidewall	17"
B. Mantle	28"
C. Top Facing	28"
D. Side Facing	1"



## HEARTH EXTENSION REQUIREMENTS

Hearth extension must be raised 8" (205 mm) above a surrounding combustible floor. The combustible floor in front of the insert must be protected by a non-combustible material extending 21" (445 mm) to the front and 8" (205 mm) to each side of the unit.



## MOBILE HOME INSTALLATION

### SPECIAL REQUIREMENTS

Pedestal model 950 is approved for mobile homes. **WARNING: Do not install stove in bedroom.** All freestanding installation requirements, as they appear under Freestanding Installation, must be met, as well as the following requirements:

### VENTING

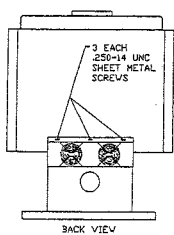
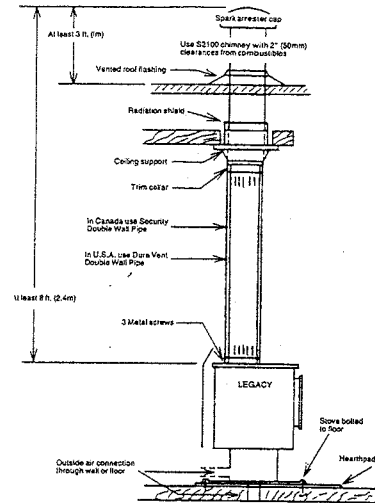
In USA, use listed double wall connector, connected to a listed HT chimney system. In Canada, use Security DL6 double wall connector, connected to a listed chimney system conforming to the ULC S629 standard. These must be installed in accordance with the manufacturer's instructions. Use only specified components, with no substitutions. The chimney and pipe must extend at least 8 feet (2.4m) above the stove and 3 feet (.9m) above the highest point of the roof. Install a rain cap with spark arrester at the top. (The spark arrester will not block the smoke's exit path.) The chimney must be supported at the ceiling or roof so that its weight does not rest on the stove. Seal with silicone to maintain vapor barrier at the chimney and outside air pipe penetrations. **THE STRUCTURAL INTEGRITY OF THE MOBILE HOME FLOOR, WALL AND CEILING/ROOF MUST BE MAINTAINED.**

## OUTSIDE AIR- MOBILE HOME

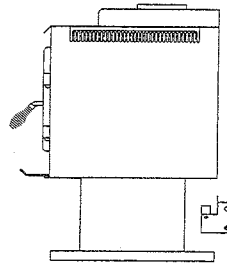
The stove must be connected to air outside the house. Attach the fresh air adapter through a hole in the wall, level with the base of the stove, or through a hole in the floor aligned with the outside air entry hole in the pedestal of the stove. If air is connected through the floor, cover the hole in the back of the stove's pedestal with sheet metal. Do not cut floor joists, wall studs, electrical wiring or plumbing. Seal the outside pipe with insulation to prevent drafts. Drill holes in the base of the pedestal to mount it to the floor. Bolt the pedestal to the floor with bolts 1/4" or heavier, inserted through its holes. Replace any insulation or panels that have been removed when fastening the bottom nut. In some areas it may be required to electrically ground the stove.

CAUTION: KEEP THE OUTSIDE AIR ADAPTER CLEAR OF ICE, LEAVES, OR ANY OUTSIDE OBSTRUCTION. IF THE ADAPTER BECOMES BLOCKED, DRAFT WILL BE REDUCED AND SMOKE MAY ESCAPE THROUGH THE STOVE DOOR INTO THE ROOM.

## OPTIONAL BLOWER SYSTEM



BACK VIEW  
ADD ON FAN  
INSTALLATION



SIDE VIEW

The circulating blower operates on 110V., and must be plugged into a 3 pronged, grounded plug. The blower is controlled by an on/off/automatic switch. A wiring diagram is included with your blower packaging.

### 1. Attaching the Blower Assembly

- a.) Align the vertical lip located at the top of the blower assembly with the predrilled holes on the lower back panel of the stove.
- b.) Attach the assembly to the stove with the sheet metal screws provided.

### 2. Positioning the Thermostat

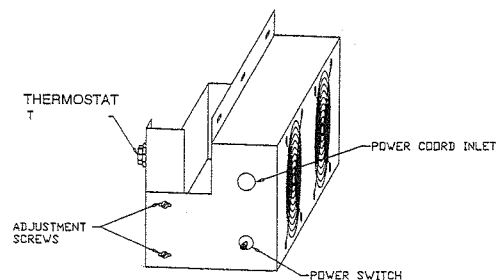
The thermostat, which controls the fan, is located on the back of the blower assembly. To maintain proper heat transfer, the thermostat must be in contact with the back of the stove at all times. To ensure proper contact:

- a.) Loosen the two adjustment screws found on the left side of the blower assembly.
- b.) Slide thermostat until it is snug against the wall of the stove.
- c.) While holding the thermostat in place, tighten the adjustment screws to secure.

### 3. Control Switch

The control switch has three positions: ON, OFF & AUTOMATIC.

- a.) ON - The blower will run continuously.
- b.) OFF - Switches the blower off.
- c.) AUTOMATIC - The blower runs only when the stove is in the operating temperature range.



LEGACY  
FORCED AIR ADD ON

#### 4. Safety

Always unplug the blower assembly from the power source before installing or maintaining the unit. Always be sure the unit is cool before installing or maintaining the blower assembly.

**WARNING:** ROUTE POWER SUPPLY CORD AWAY FROM UNIT. NEVER COVER AIR INLETS.

**DANGER:** RISK OF ELECTRICAL SHOCK - DISCONNECT POWER SUPPLY BEFORE SERVICING UNIT.

## FREESTANDING STOVES & INSERT SPECIFICATIONS

	MODEL 950	MODEL 1650	MODEL 2150
<b>EMISSIONS</b>			
EPA Phase II 1992 Approved*	4.2 gr./hr.	3.7 gr./hr.	2.9 gr./ hr.
<b>DIMENSIONS</b>			
Width	27"	27"	27"
Depth	22"	26"	30.5"
Overall Unit Height	22.5"	22.5"	23"
Height on Pedestal	33.5"	33.5"	34.5"
Height on Legs	26 1/4"	26 1/4"	27"
Height - Insert	N/A	23"	N/A
Firebox	12.5" x 18" x 12"	17" x 18" x 12"	21.5" x 18" x 12"
Weight	295 lbs.	367 lbs.	390 lbs.
Weight - Insert	N/A	425 lbs.	N/A
Log Length	16"	18"	20"
<b>PERFORMANCE</b>			
Firebox Size	1.7 cubic ft.	2.3 cubic ft.	3.1 cubic ft.
Approximate Heating Area (Sq. Ft.)*	600 to 1200	1200 to 1800	1800 to 2500
Heat Output*			
High Burn (BTUs)	32,700	33,600	34,000
Low Burn (Hours)	9 hrs.	10 hrs.	11 hrs.

\*Figures will vary considerably depending on moisture content and type of wood, chimney draft, oxygen supply, floor plan and degree of home insulation.

All *Legacy* models are tested to EPA standards and approved by Warnock Hersey, Ltd. to standards: UL 1482 and 907, CSA B366.2, S627, ULC S628. Model 950 is tested and listed for alcove and mobile home installation.