



**Jotul 380
Camp Stove
“The Lumberjack”**

**Installation and
Operating Instructions**

Copy courtesy of
Kingdom Wood Stoves
[Facebook. com/kingdomwoodstoves](https://www.facebook.com/kingdomwoodstoves)

Jotul U.S.A., Inc., P.O.Box 1157, Portland, ME 04104

Jøtul Cookstoves and Coal Stoves

Jøtul No.380 Wood Stove

Dimensions:

Height to bottom of smoke flange: N/A

Flue pipe diameter: 4.93"

Height: 27.4"

Greatest length: 32.7"

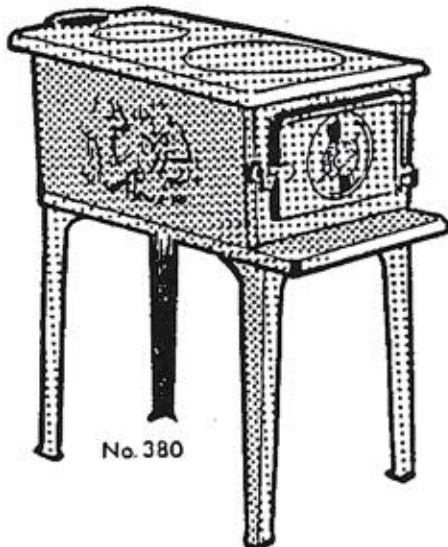
Greatest width: 16.1"

Log length: 18"

Heating capacity: 2,500 - 5,000 ft.³



ASSEMBLY

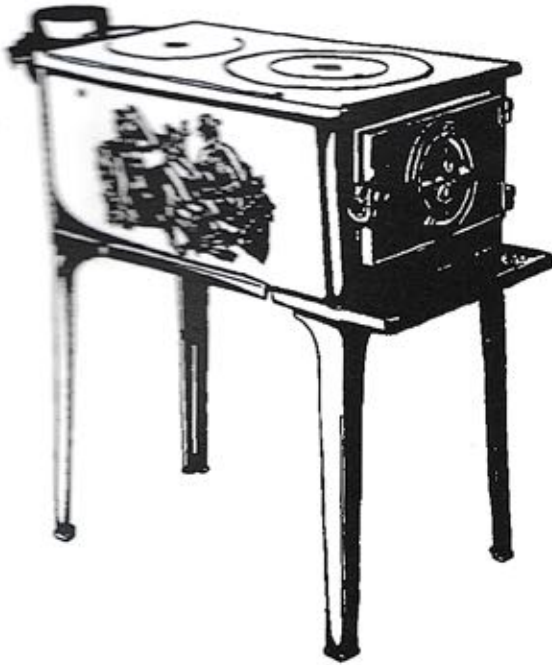


NUMBER 380

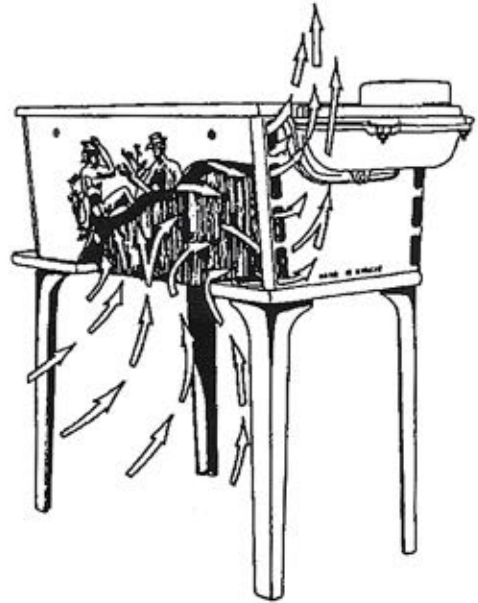
- 1 Remove the door and cooking plates from inside the stove.
- 2 Turn the stove upside down.
- 3 Fasten legs using the screws and washers provided. (Do not tighten excessively).
- 4 Set the stove upright on its legs, being careful not to put all the weight on a single leg.
- 5 Replace the cooking plates.
- 6 Fasten the knob to the door latch, using the screw provided.
- 7 Re-hang the door on the stove.
- 8 Check operation of the draught controls.

Copy courtesy of
Kingdom Wood Stoves
[Facebook. com/kingdomwoodstoves](https://www.facebook.com/kingdomwoodstoves)

Jøtul No.380 "Lumberjack" Wood Stove



This stove was put back into production by Jøtul because of American demand for a rugged wood stove capable of both heating and cooking. The No.380 is well-suited for the rustic setting of a camp, where a single unit is needed to perform both functions.



Copy courtesy of
Kingdom Wood Stoves
[Facebook. com/kingdomwoodstoves](https://www.facebook.com/kingdomwoodstoves)

Features:

- Traditional Norwegian design.
- This stove was designed by Jøtul's technical department in 1955.
- Bas-relief by Norwegian artist Ørnulf Bast.
- Heavy cast-iron construction.
- Double side wall construction and absence of top baffle plate insures that most of the heat is transferred to the cook plates.
- The No.380 features Jøtul's front draft control, which allows accurate adjustment of burn rate and cookplate temperature.
- The No. 380 is available in matte black, high-temperature paint only.



INSTALLING YOUR JØTUL STOVE

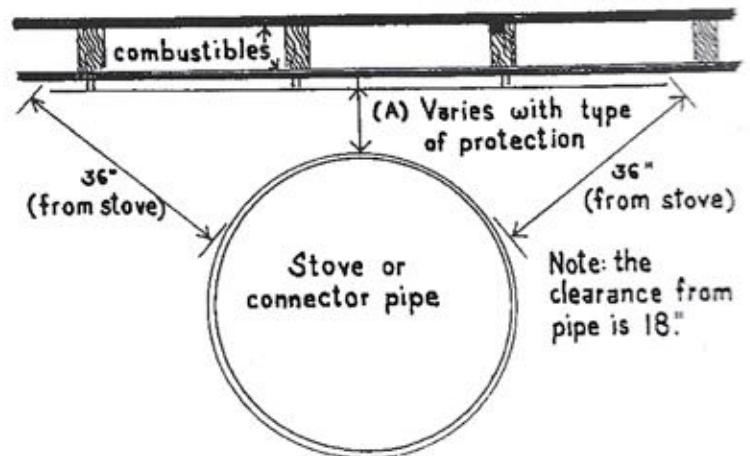
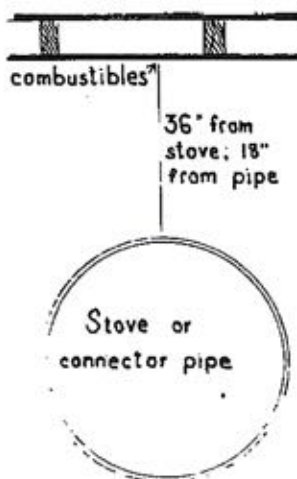
The installation of your Jøtul stove should be done with a constant eye towards keeping high safety standards. Extra care taken in planning and carrying out the installation will reward you with good performance and peace of mind. When installing your stove, consider the following guidelines:

1. Sizing the stove
2. Protection of combustibles
3. Chimney connector (stovepipe and thimble)
4. Chimney

Sizing Your Stove

Sizing your stove to the space you intend to heat and the climate in which you live is extremely important. Too large a stove will encourage creosote formation because the unit might be operated at low draft settings. If your stove is too small, you might damage it by overfiring. Ask your Jøtul dealer for his advice when selecting your stove.

Protection of Combustibles



Unless otherwise stated in installation instructions accompanying the stove, the unit should be installed according to either your local building code or to National Fire Protection Association (NFPA) standards. According to the law, local codes take precedence over national statutes. Some local codes are less strict than NFPA code, while others lift sections pertaining to wood heat directly from the NFPA code. It is wise to contact your local fire marshal to determine which code is in effect before you begin planning your installation. Do not delay until your stove is installed may cost you time, money, and frustration if your building inspector finds the finished product is not up to snuff.

According to NFPA Standard 211, woodstoves must not be installed closer than 36 inches from walls or combustibles. This figure may be reduced by using one of several methods of wall protection. One of the best ways is to protect the wall with a 28-gauge metal panel so that no part of the stove is within 36 inches of the wall(s). This metal must be installed with at least a one-inch air space between the shield and the wall. The shields must be spaced out from the wall with non-combustible spacers. Such a panel carries off heat that would normally build up in the wall. The hotter the panel becomes, the faster the air currents carry away the heat. If the gap between the shield edge and the wall is filled or covered, the dead air behind the shield can heat up to dangerous levels. Using this type of shield, distances from the stove to the wall may be reduced to 12 inches. Do not improve appearances, brick or tile facing may be applied, providing that any adhesives used are non-combustible and rated at 400°F or higher.

The hearth, or floor protection, should be no less than 3/8-inch asbestos millboard (not cement board). Due to widespread lack of availability of 3/8-inch asbestos millboard, you can substitute 1/4-inch asbestos millboard covered with 24-gauge sheet metal. Again, brick or stone may be used to improve appearance,

but brick, stone, and asbestos cement board alone do not protect combustibles. Hearth dimensions should extend a minimum of 12 inches from the sides of the stove and 18 inches from the loading door.

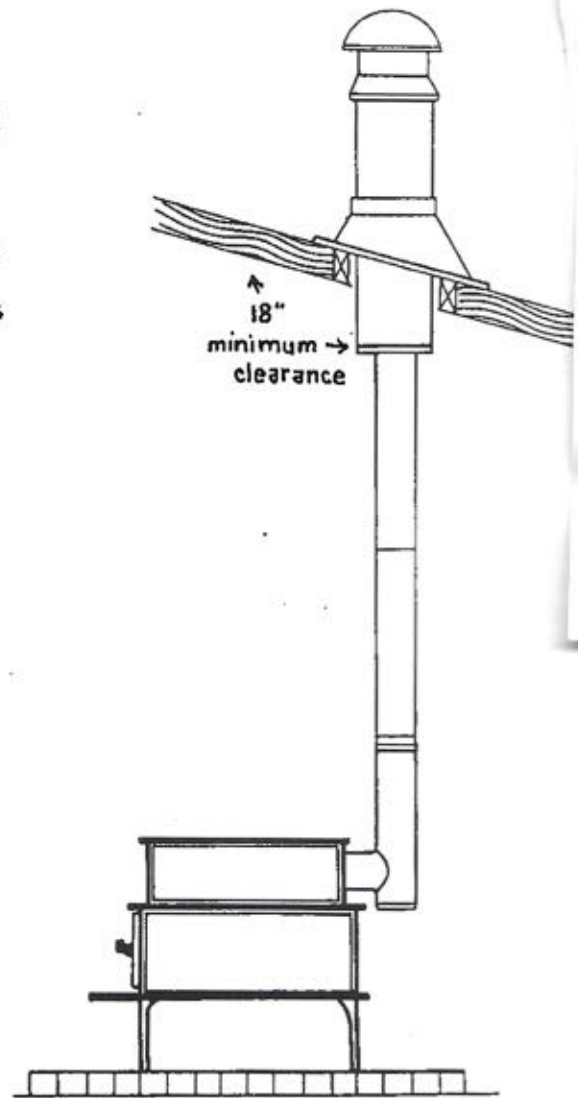
Chimney Connector (Stovepipe)

Single-wall connector pipe should be of the heaviest gauge (thickness) available (at least 26-gauge for pipe less than 6-inches in diameter and a minimum of 24-gauge for pipe 6 inches to 10 inches in diameter.)

The connector pipe should be sealed with furnace cement or mortar and fastened to the stove with at least one sheet metal screw. Individual pipe sections should be fastened together with at least three sheet metal screws at each joint. The pipe should also be sealed with furnace cement or mortar at the point where it enters the chimney thimble.

Stovepipe sections should be arranged so that the male end of the pipe points toward the stove. This will prevent liquid creosote from leaking through the joints.

Stovepipe clearances should be a minimum of 18 inches from combustibles unless a specific form of protection is employed to reduce the distance. Do not run stovepipe through a window or ceiling. Stovepipe should not be run through a wall or partition unless a wall thimble is used and a clearance through the wall



of three times the diameter of the stovepipe is maintained to combustibles.

The chimney thimble is an iron, steel, or terra cotta (tile) tube. It is an integral part of a masonry chimney into which the stovepipe is inserted. The thimble provides a good seal between the connector pipe and the chimney, while allowing the connector pipe to be removed for cleaning.

Chimney

Any chimney should provide the following characteristics:

- It should provide a good draft.
- It should be of good construction.
- It should discourage downdraft and puffback.
- It should discourage the formation of creosote.
- It should be easy to clean.

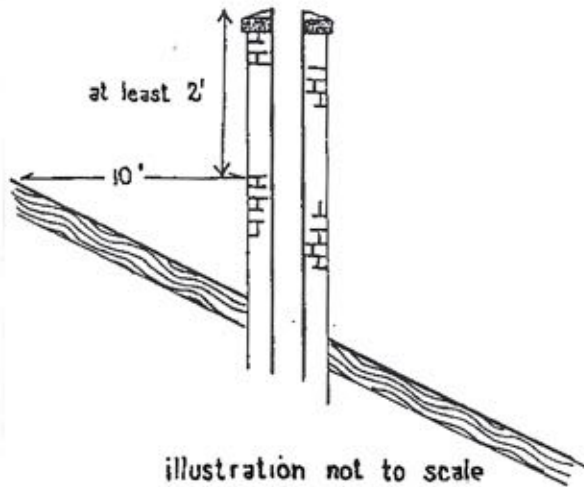
It is advantageous to locate a brick chimney in the center of the house rather than on an outside wall. The chimney will be heated by the house until the point where it leaves the structure. As an added bonus, it will radiate heat back into the house once it reaches operating temperature. Benjamin Franklin suggested placing the chimney on the south side of the roof where it will be warmed by the winter sun and protected from cold winter winds.

A brick chimney should be structurally sound and lined. If you are installing your Jøtul stove in an older home, ask the fire department to inspect your chimney to insure that it will safely serve a woodstove. Older chimneys are often unlined. Although it is possible to reline a chimney, it is difficult and expensive. Your fire department can give advice as to possible solutions.

Chimneys most compatible with high-efficiency stoves are lined masonry chimneys or UL-approved prefabricated metal chimneys which do not utilize outside air to cool the inner liner. Lined masonry chimneys are superior to unlined

masonry chimneys in areas of safety, creosote formation, and ease of maintenance. Prefabricated metal chimneys which function to keep flue temperatures high are superior to those utilizing a thermosiphoning effect because of the latter's excessive cooling effect on flue gases.

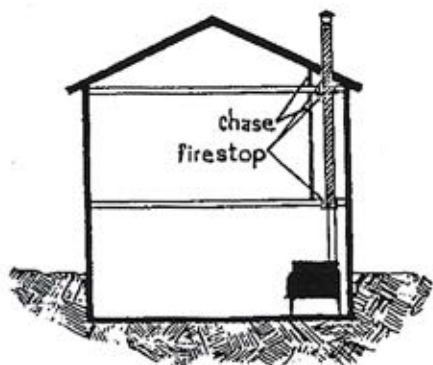
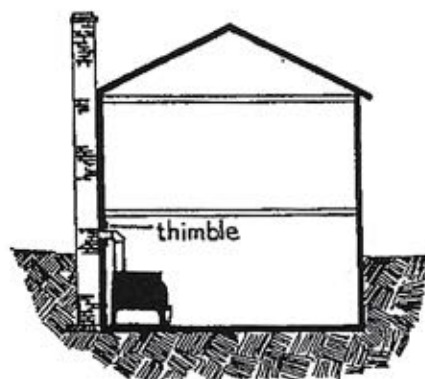
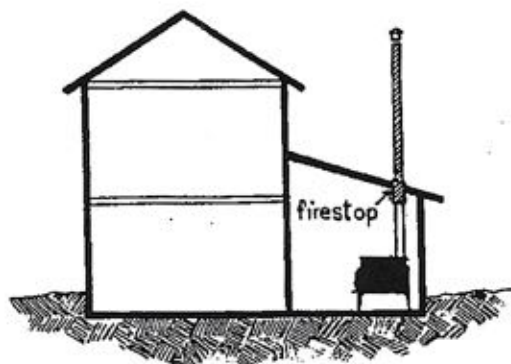
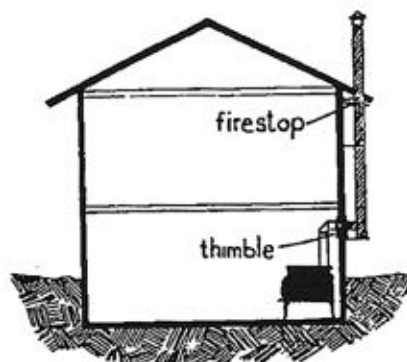
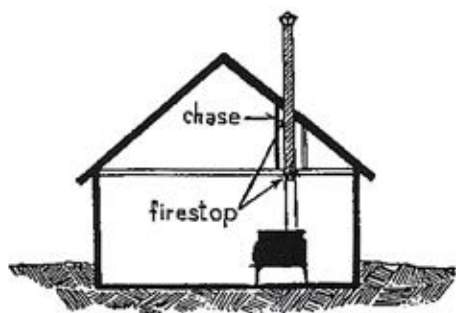
In addition to excessive cooling of flue gas, excessive turbulence in the smoke leaving the stove can promote creosote formation. Turbulence is caused by stovepipe elbows, rough chimney lining, or projections and obstructions over which the smoke must pass. Elimination of these causes in the planning stages will reduce creosote formation and make your chimney easier to clean.



The chimney should terminate at least three feet higher than the roof and two feet higher than any portion of the roof within 10 feet of the chimney. In some cases, even though this guideline is followed, downdraft and puffback may occur. Those problems can be cured by the installation of a chimney cap. If poor draft is the problem, the use of a turbine-type chimney cap can improve draft at the same time it helps prevent downdraft problems.

The diameter of the stovepipe and that of the chimney should be as close as possible to the stove outlet pipe. If you anticipate changing stoves periodically, or if you are unsure if the stove is correctly sized to the room it will heat, it is wise to size the chimney to the largest stove you might install. However, neither the stovepipe nor the chimney should ever be smaller than the smoke outlet of the stove.

Installation of more than one woodburning device per flue is undesirable, unsafe, and contrary to many fire codes. If you are contemplating such an installation, contact your local fire marshall or building inspector for guidance on how this can be accomplished.



The installations shown are not to scale. For actual clearances and materials required, consult NFPA Bulletin 89-M or your local building code.

Copy courtesy of
Kingdom Wood Stoves
Facebook. com/kingdomwoodstoves

Read This Before Making The First Fire In Your Tøtul Woodstove or Combi-Fire

- Place a layer of clean sand or ashes on the bottom of the stove. This is necessary to prevent heat loss and protect the bottom plate.
- Make a small fire with kindling near the door in the front of the stove. After lighting, close the door and open the front damper completely. * For combi-fires also open the back vent fully--perpendicular to the stove.

● After the fire has caught and the chimney is warmed, regulate the rate of burning and heat by adjusting the front damper. On combi-fires close the back vent to the half-open position. * The stove can produce great heat with the damper fully open, or it can hold a fire all night with a small opening.

Note: This first fire should warm the stove gradually.

● If there is any condensation, there may be moisture appearing near the joints. Wipe off any condensation with a cloth to prevent staining.

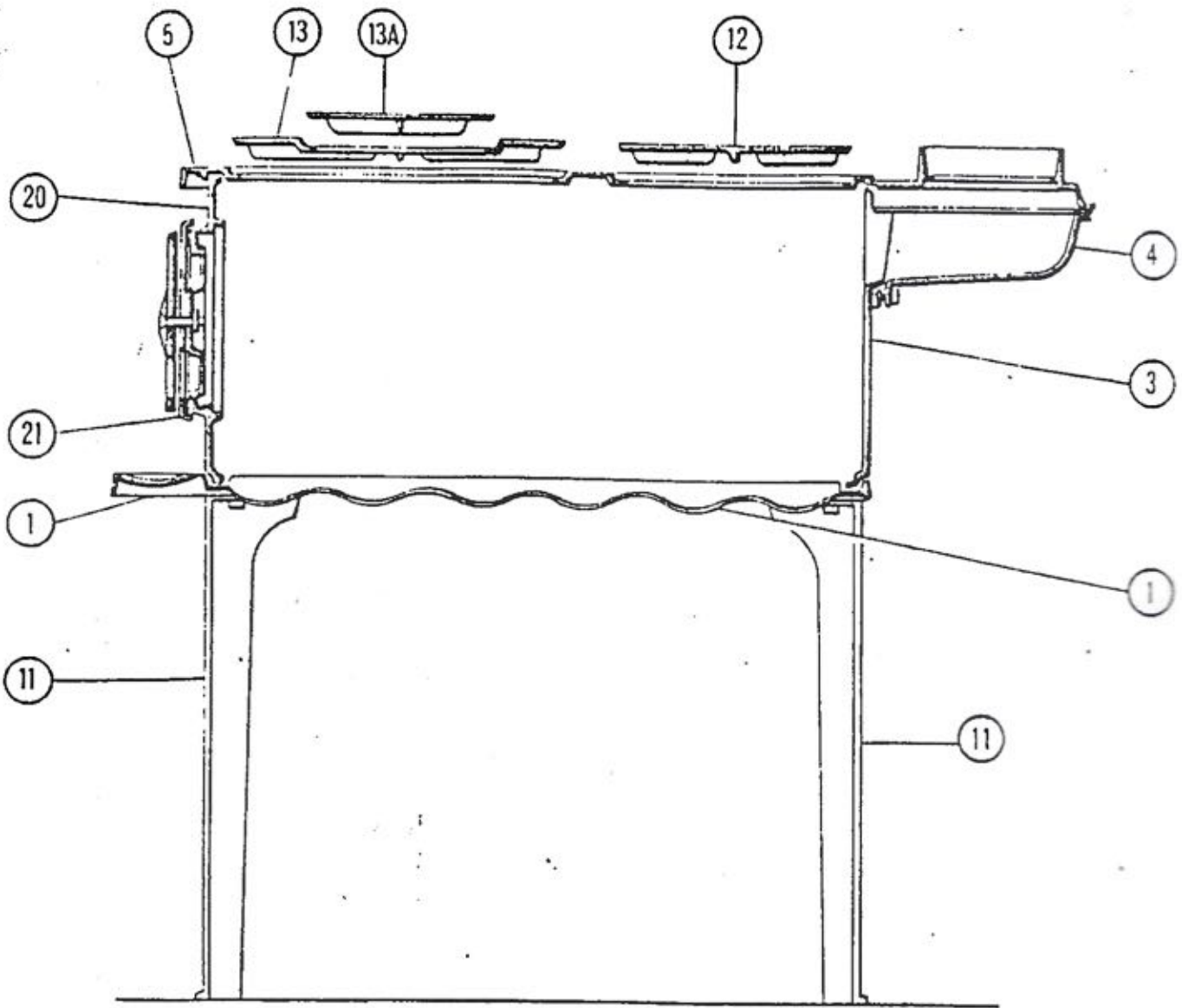
● When loading more wood, open the front draft control wide (on combi-fires open the back vent as well) to prevent smoke from entering the room.

* IMPORTANT: Your Tøtul is a radiant room heater--not an incinerator. A constant raging blaze will abuse the stove.



WOOD STOVE No.. 380

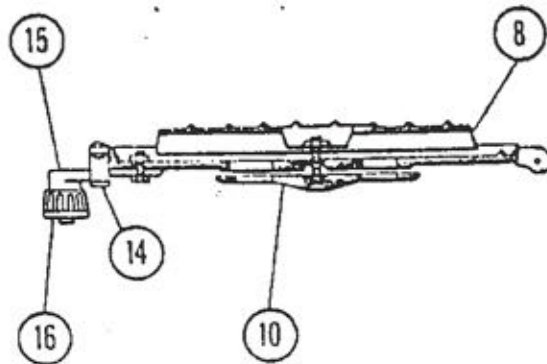
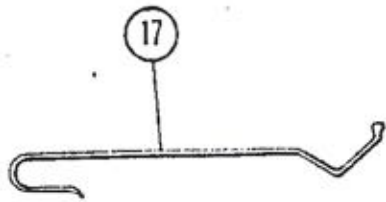
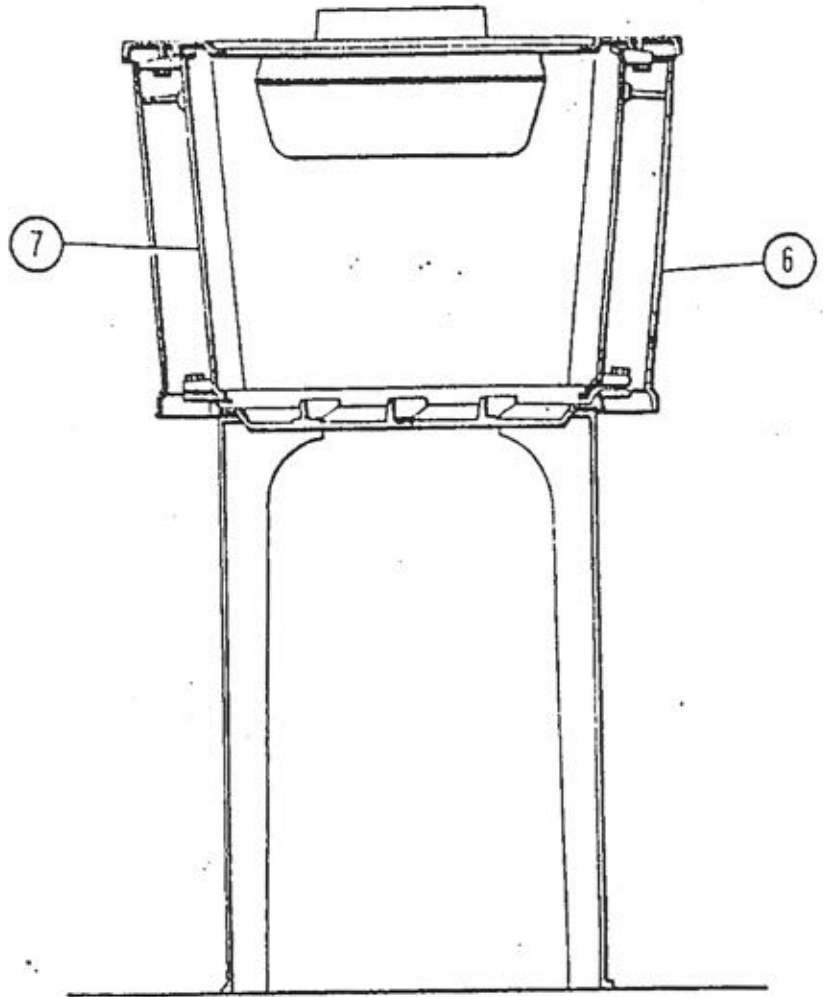
ORDER No.	PART No.		PRICE N.KR.
100654	1	Bottom plate	
100665	2	Front piece	
100666	3	Back piece	
100667	4	Base for smoke outlet	
100668	5	Top plate	
100669	6	Side piece, outer	
100675	7	Side piece, inner	
100676	8	Baffle plate	
100670	9	Door 3-0-4	
100608	10	Sector valve	
100647	11	Leg (1) 20-1-425	
100674	12	Turbo hot plates 200 mm	
100672	13	Turbo hot plates 280 mm	
100673	14	Cover for turbo plate	
120013	15	Latch 8-3-78B	
120014	16	Doorhandle 8-3-77B	
120015	17	Doorknob 8-5-2	
110104	18	Screw 5/16" x 35 mm sunk head	
110089	19	Nut 5/16" hexagon	
110023	20	Screw 5/16" x 19 mm round head	
110025	21	" 1/4" x 25 mm " "	
110024	22	Spike 8 mm x 16 mm " "	
110048	23	Screw 1/4" x 22 mm " "	
120004	24	Disc 1/4" square	
110156	25	Screw 1/4" x 30 mm sunk head	
110019	26	Nut 1/4" hexagon	
110083	27	Disc 1/4" round	
110144	28	Screw 1/4" x 40 mm sunk head	
110172	29	Screw 1/4" x 40 mm round head	
110003	30	Screw 1/4" x 19 mm hexagon	
120002	31	Pin 1/4" x 34 mm	



- 1 Base plate
- 3 Back panel
- 4 Flue outlet base
- 5 Top plate
- 11 Leg
- 12 Hotplate 200mm
- 13 Hotplate 280mm
- 13a Hotplate 60mm
- 20 Front frame
- 21 Door

Copy courtesy of
 Kingdom Wood Stoves
[Facebook. com/kingdomwoodstoves](https://www.facebook.com/kingdomwoodstoves)

- 6 Side panel, outer
- 7 Side panel, inner
- 17 Handle for hotplate



- 8 Door baffle
- 10 Air control
- 14 Door catch
- 15 Latch
- 16 Knob

Copy courtesy of
Kingdom Wood Stoves
[Facebook.com/kingdomwoodstoves](https://www.facebook.com/kingdomwoodstoves)