

Insulated Wall Thimble

Installation Instructions



*Insulated
Wall Thimble*

A MAJOR CAUSE OF CHIMNEY RELATED FIRES IS FAILURE TO MAINTAIN REQUIRED CLEARANCES (AIR SPACES) TO COMBUSTIBLE MATERIALS. IT IS OF THE UTMOST IMPORTANCE THAT THIS INSULATED WALL THIMBLE BE INSTALLED ONLY IN ACCORDANCE WITH THESE INSTRUCTIONS.

Table of Contents

General Product Information.....	2
Codes.....	2
Product Applications.....	2
Clearances.....	3
Safety Precautions.....	3
Sizing.....	3
Tools/Installation Equipment.....	4
Approved Installations.....	4
Safety Considerations.....	4
Getting Started.....	5
Framing Openings.....	5
Masonry Adapter Section.....	6,7
Adjustment Sizes.....	8
Cutting Inner Pipe To Length.....	8
Cutting & Fasten Connector pipe.....	9
Insulation Rings.....	9
Fasten Finished End.....	9,10
Mounting Finished Trim.....	10,11
Final Step.....	11
Maintenance Instructions.....	12
Cleaning Procedures.....	12

General Product Information

The quality and workmanship of *Olympia's Insulated Wall Thimble* is reflected in the recognition Underwriters Laboratories has given these products. The rigorous UL testing and listing requirements, is your assurance of consistent quality in materials and manufacturing standards used for this Olympia's product.

In addition, the industry leading Warranty on *Olympia's Insulated Wall Thimble* is a further indication of our confidence in the quality of these products. Thank you for choosing Olympia!

Olympia's Insulated Wall Thimble product is UL103HT & ULCS641 listed to 2100 degrees in 6" and 8" diameters.

Olympias Insulated Wall Thimble must be installed, by a qualified chimney or venting professional, according to these installation and maintenance instructions. Read through and become familiar with these installation instructions before installing this product. Failure to follow these instructions may void the manufacturer's warranty, the UL listing status of this product, and may result in a hazardous installation.

Keep these instructions for future reference.

Codes & Permits

The criteria for installation must be in conformance with the specifications contained in the latest version of the N.F.P.A. 211 (Standard for Chimneys, Fireplaces, Vents and Solid Fuel Burning Appliances) and local or state building codes, whichever has jurisdiction. *Olympia's Insulated Wall Thimble* is an engineered and listed through-the-wall insulated thimble assembly that reduces the minimum 18 inch clearance to combustibles required by N.F.P.A. 211 standard. Contact local building or fire officials about restrictions and installation inspection in your area. It may or may not be necessary to obtain permits before installing the *Olympia's Insulated Wall Thimble*. ALWAYS CONTACT YOUR LOCAL BUILDING OFFICIAL OR FIRE OFFICIAL REGARDING PERMITS, RESTRICTIONS AND INSTALLATION INSPECTIONS IN YOUR AREA.

Product Applications

Olympia's Insulated Wall Thimble is intended for use in conjunction with any residential and building heating appliance burning gas, liquid, or solid fuels. *Olympia's Insulated Wall Thimble* is to be used as a thimble/wall pass thru to connect appliances to interior or exterior masonry chimneys while having to pass through a combustible wall in order to connect to the chimney.

General Specifications

Clearances

You must maintain at least a 2 inch air space clearance between interior masonry chimneys (which have any portion of the chimney located within the exterior wall of the building) and combustible materials. Ensure that building insulation, electrical wiring and/or any other combustible materials do not violate the required 2-inch airspace clearance.

The minimum air space clearance between exterior masonry chimneys (which have the chimney completely outside the exterior wall of the building, excluding the soffit or cornice area) and combustible material shall be at least 1 inch. Do not fill any required clearance space with insulation or any other materials. Ensure that building insulation, electrical wiring and/or any other combustible materials do not violate the required 2" clearance required for a proper installation of *Olympia's Insulated Wall Thimble*.

Safety Precautions

The installation instructions provided with *Olympia's Insulated Wall Thimble* are intended as a guide to **only** assist a qualified chimney professional / installer. Be sure to have the chimneys integrity inspected before installing *Olympia's Insulated Wall Thimble*. Inspect the chimney for any loose or eroded mortar, cracks in the masonry, missing bricks, any internal obstructions, unused flue holes, and excessive creosote formation. **Do not install *Olympia's Insulated Wall Thimble* before fixing any obstructions in the chimney.**

If the chimney needs to be cleaned- then all cleaning to the chimney shall **only** be done by a professional certified chimney sweep.

The wall trim of *Olympia's Insulated Wall Thimble* should be installed on approved fire retardant sheetrock, millboard, brick or their like.

Olympia's Insulated Wall Thimble must be installed so there are no obstructions below or above the wall protector. *Olympia's Insulated Wall Thimble* should not be located directly behind a heating appliance (i.e. straight out of wall behind appliance).

Olympia's Insulated Wall Thimble must be properly sized for your heating appliance. The chimney must be sized in accordance with the appliance manufacturer's instructions. In the cases where the chimney system is sized incorrectly, not in compliance with the current local building codes, or in poor physical condition then a new lining system should be installed and inspected before installation of *Olympia's Insulated Wall Thimble*.

Appliance Flue Collar Diameter	Use Olympia's Insulated Wall Thimble Part #
6"	ITH06 or ITH06-T (snout connector)
8"	ITH08 or ITH08-T (snout connector)

Installation Preparation

Equipment, Tools, and Hardware

Tools:	
Reciprocating Saw	Plumb Bob
Keyhole Saw	Level
Drill	Tape Measure
Hammer	Caulk Gun
Metal Snips	Screwdrivers
Masonry Drill Bit (1/4" Diameter)	Angle Grinder (Cut-Off Wheel)

Equipment:
Ladder
Safety Glasses
Protective Gloves

Hardware:
Framing Nails
Roofing Nails
High-Temp Sealant
Wood Screws
Masonry Anchor set or Tapcons
#8 -x- 1-1/4" Screws
Fastening Pipe Clamp

Approved Installations

Use of any parts or materials not specified in this installation manual may not provide a listed system and may void *Olympia's Insulated Wall Thimble* warranty. Do not use damaged or modified parts. There are three types of installations in which an *Olympia Insulated Wall Thimble* may be used;

- Where a thimble hole already exists in a properly lined chimney.
- An installation that requires a new thimble.
- An installation incorporating a new UL listed stainless steel liner system.

The step-by-step installation instructions below will cover all three installations.

Safety Considerations

Caution: The ends or edges of *Olympia's Insulated Wall Thimble* can be sharp! We strongly recommend the use of gloves during installation.

Warning: Be sure that *Olympia's Insulated Wall Thimble* does not come in contact with electrical or any other wires. Be sure to check for any other obstacles that could be harmful to the installer or home owner before beginning the installation. *Olympia's Insulated Wall Thimble* may not pass through an attic, closet, concealed space, floor, ceiling, or roof- no exceptions.

Installation Instructions

Step 1- Position Thimble: Determine the location of the opening where you want the masonry adapter section of *Olympia's Insulated Wall Thimble* to pass through the wall. In general the higher up on the wall you install the adapter the better, this will improve draft and reduce the cost of the chimney liner.

Keep in mind that a single wall stove pipe must be at least 18" from a ceiling.

If the chimney is constructed with a space beyond the exterior wall of the house, check the outside of the house for weather tightness around the periphery of the back plate. Do not place insulation in this area. maintain at least 1" air space between the masonry and any combustible material.

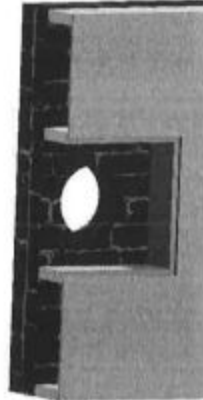


Fig. #1

Step 2 - Cut & Frame Opening: Cut and frame an opening in the combustible wall using table -1 to determine your rough opening dimension size. Make sure your rough opening is centered with your chimney flue opening in masonry. If the installation requires you to make a new flue hole in the chimney then follow table 1 for the hole size, each thimbles flue hole size is listed in parentheses.

CAUTION: Before cutting the opening into the combustible wall make sure there are no electrical wires or plumbing pipe within this section of the wall. If a wall stud or any other combustible material is encountered within the opening, it will need to be removed. Appropriate framing and headers if needed must be installed to insure a safe installation of *Olympia's Insulated Wall Thimble*. (Refer to table #1 and fig.#1 regarding rough framing dimensions for the thimble pipe diameter occupied).

Build Support Header If Necessary

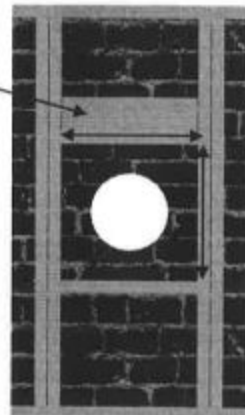
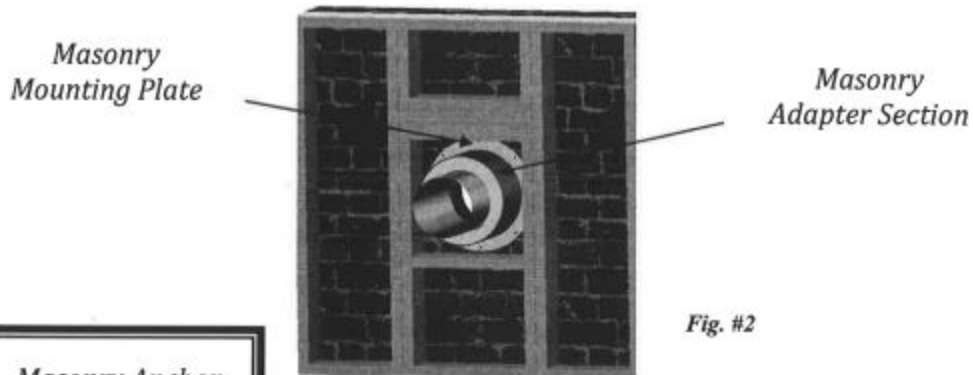


Fig. #1

Table 1 Rough Opening Dimensions for Combustible Wall:		
Table 1 Olympia's Insulated Wall Thimble	6"	8"
Hole for chimney	(6.25")	(8.25")
Square Rough Opening For Combustible Wall	13.75" -x- 13.75"	15.75" -x- 15.75"

Step 3 - Mounting Masonry Adapter Section:

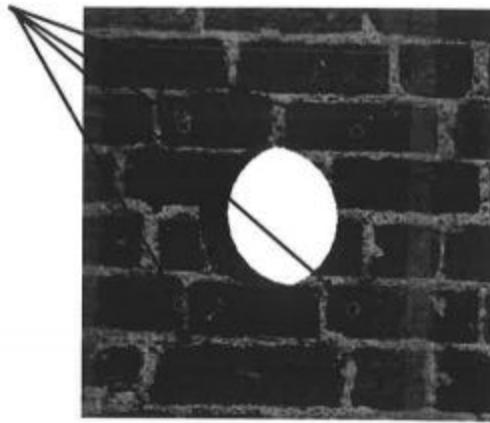
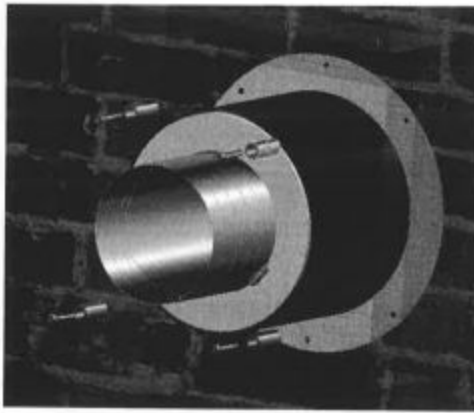
Place the masonry mounting flange flat against the open area on the masonry chimney and center the masonry opening with the pipe opening attached to the masonry adapter section of *Olympia's Insulated Wall Thimble*. (see fig.#2) Once in desired location mark the holes that you will be applying masonry anchors or tapcons to (we recommend you use at least 4x of the 8x masonry holes provided in the masonry mounting plate for a secure hold to the masonry). Remove the masonry adapter section and drill out the markings you made with a masonry bit. After your holes are drilled apply an exterior rated high temp silicone caulking to the back of the mounting plate then insert your anchors and place the masonry adapter section with the masonry mounting plate back over your holes. Make sure the mounting holes line up correctly, and securely fasten using your anchors screws or tapcons. See illustrations below for masonry anchors and tapcon installation of masonry mounting plate. *Note: Be sure to check all clearances required before mounting the masonry adapter section of Olympia's Insulated Wall Thimble.*



Masonry Anchor Installation

Step #1-Mark out your holes for the masonry anchors.

Step #2-Drill holes for the anchors, then insert anchors into masonry

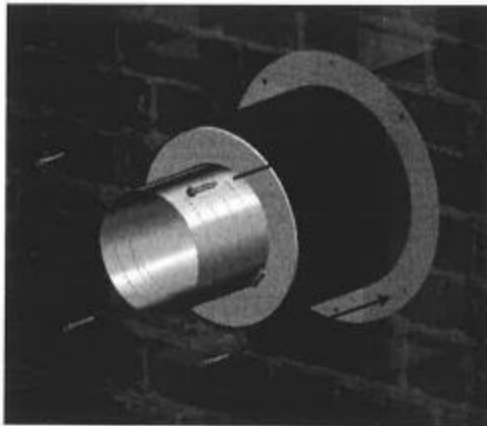


Final Step -Screw your anchor screws into the anchors.

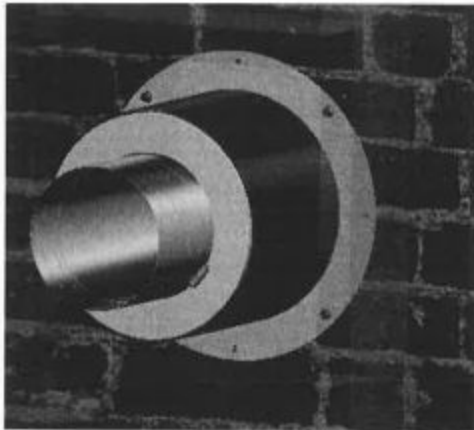


*Tapcon
Installation*

Step #1-Mark out your holes for the Tapcons



Final Step -Screw your Tapcons into holes in the masonry flange.



Step 4 - Cut Inner Pipe To Length:

After the masonry adapter section is mounted securely you may have to cut the inner pipe to length before attaching the second half of *Olympia's Insulated Wall Thimble*. Depending on the width of your combustible wall you will have to cut any extra length off of the insulated inner pipe using a pair of hand shears or for the cleanest cut we recommend an angle grinder with a cut-off wheel attachment, the pipe has 1" cut-outs in it to follow for precision cutting (see fig.#3 and #4). *Olympia's Insulated Wall Thimble* is designed to adjust from 5" thru 14" wall structures. The fastening clamp located in the insulated inner pipe can be moved to any of the 1" spaced clamp cut-out locations. (see fig.#3)

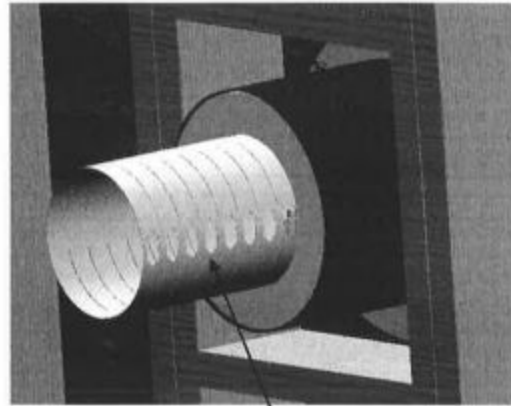


Fig. #3

1" spaced clamp cut-outs

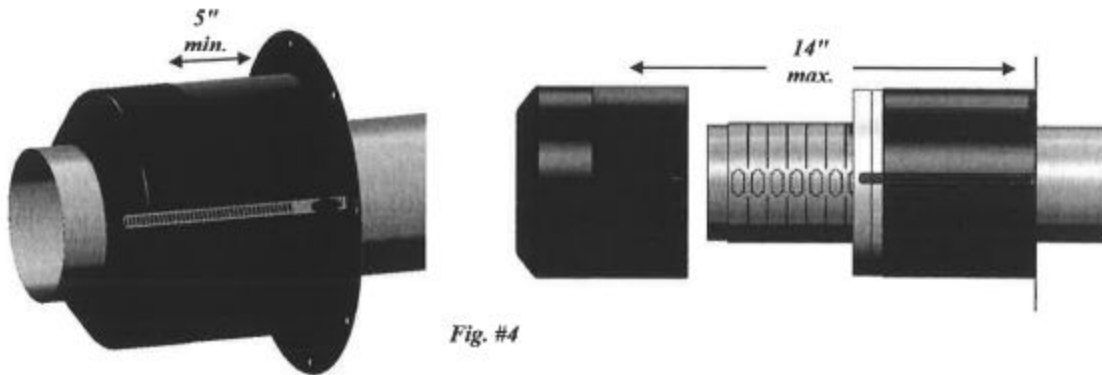
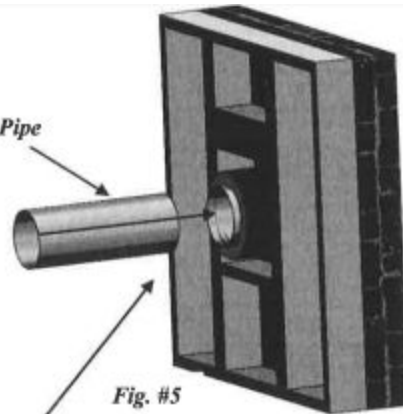


Fig. #4

Step 5 - Cut & Fasten Connector Pipe:

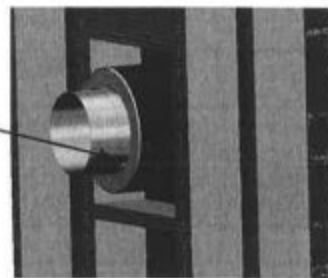
If need be you can cut your connector pipe down to the desired length per installation by determining your distance from the combustible wall to the stove pipe and the thickness of the two walls the connector pipe is spanning through for the chimney connection. After your connector pipe is sized correctly you should make the connection into the chimney using our snout or rigid connection pipe, then push the connector pipe through the masonry adapter section pipe and tighten the clamp onto the connector pipe to fasten securely. (see fig.#5)

Connector Pipe



Slide Connector Pipe Through Masonry Section Pipe

Tighten Clamp To Secure Pipe In-Place



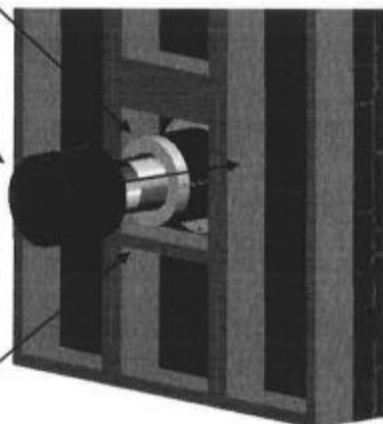
Step 6 - Finished End:

Once the connector pipe is fastened you can now add your 1" insulation rings by sliding them over the connector pipe. Make sure you push the insulation rings on snug to fit as many as possible. Before you slide the finished end outer pipe over the masonry adapter section outer pipe, make sure there is insulation rings inside the finished end to compress for a tight fit. After sliding the finished end outer pipe into place tighten the "linear clamp" for fastening. (see fig. #6)

Slide 1" Insulation Rings Over The Connector Pipe

Fasten Pipe Sections Together Using Attached "Linear - Clamp" Provided On Each Side

Finished End Section



Slide Finished End Section Over Masonry Adapter Section

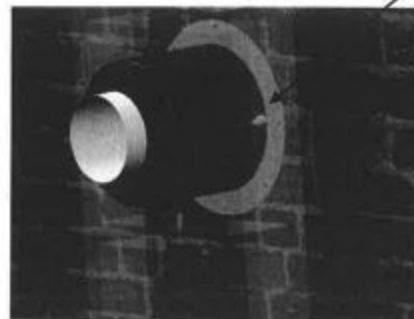


Fig. #6

Step 7 - Linear Clamp:

Before replacing the finishing wall surface for the cut-out of *Olympia's Insulated Wall Thimble*, check for any excess clamp band material that may hang past the combustible wall. You can either fold back any excess clamp band material back into the combustible wall cut-out space or cut it off at this time. (see fig.#7)

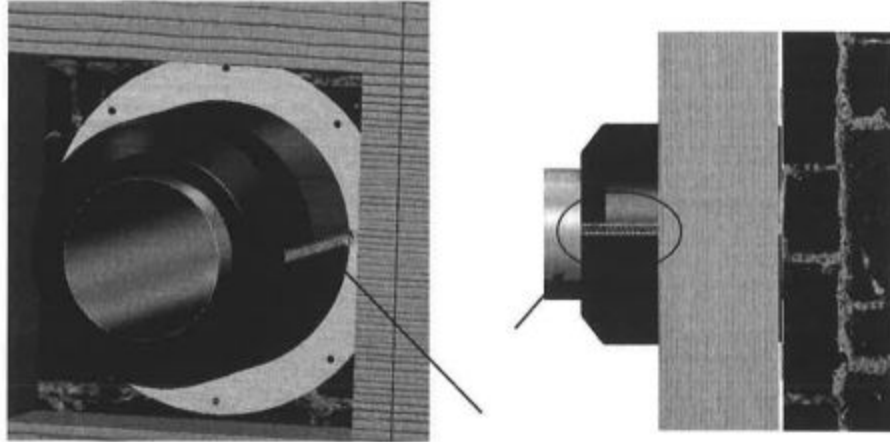


Fig. #7

Step 8 - Finishing Trim:

After replacing the finishing wall surface for the cut-out of *Olympia's Insulated Wall Thimble*(see fig.#8), you can place the finishing trim over the finished end of *Olympia's Insulated Wall Thimble* and use the two screw holes to fasten the finishing trim using the black finish screws provided. (see fig.#9)

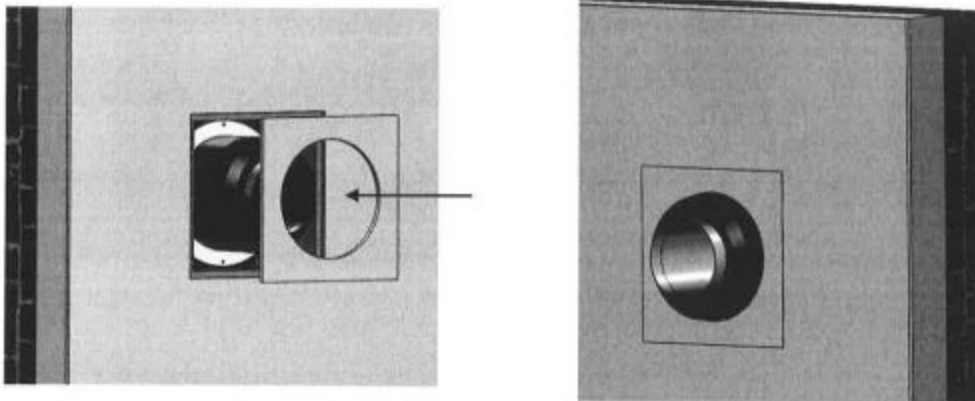


Fig. #8

Step 7 - Linear Clamp:

Before replacing the finishing wall surface for the cut-out of *Olympia's Insulated Wall Thimble*, check for any excess clamp band material that may hang past the combustible wall. You can either fold back any excess clamp band material back into the combustible wall cut-out space or cut it off at this time. (see fig.#7)

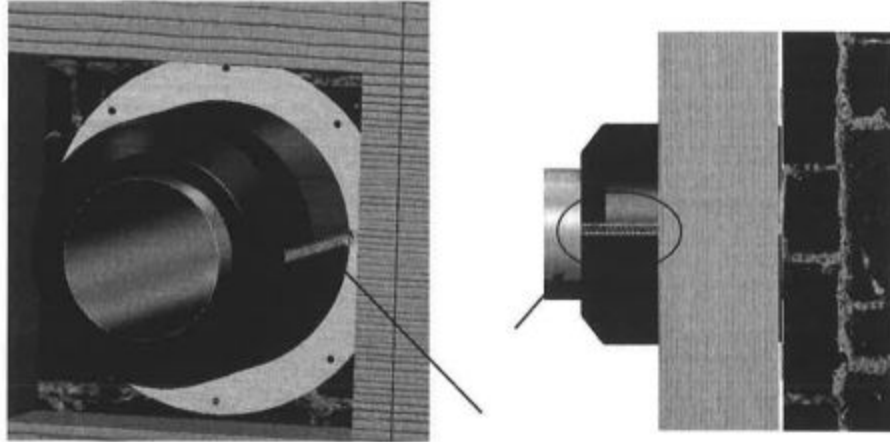


Fig. #7

Step 8 - Finishing Trim:

After replacing the finishing wall surface for the cut-out of *Olympia's Insulated Wall Thimble*(see fig.#8), you can place the finishing trim over the finished end of *Olympia's Insulated Wall Thimble* and use the two screw holes to fasten the finishing trim using the black finish screws provided. (see fig.#9)

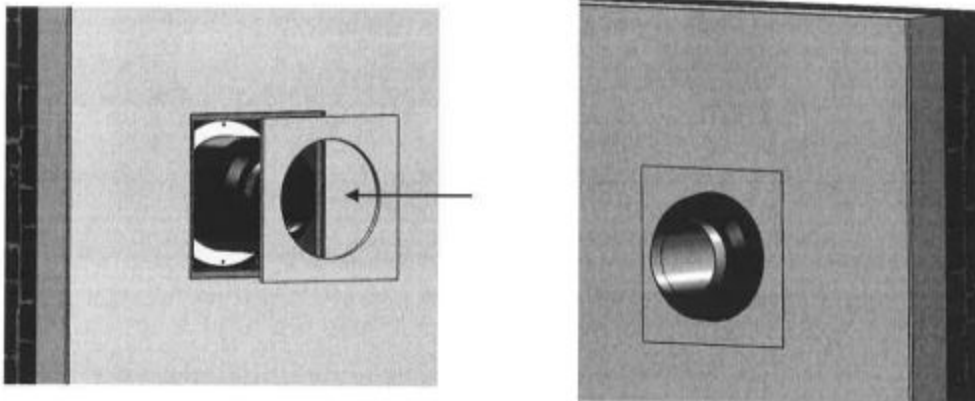


Fig. #8

Maintenance Instructions

Maintenance Procedures

It is important that *Olympia's Insulated Wall Thimble* and chimney system be checked and cleaned frequently during the heating season. This is for the safety of the homeowner and necessary to meet the warranty requirements of *Olympia's Insulated Wall Thimble*. As noted above, in the case of solid fuel burning appliances, more frequent maintenance may be required, depending on use and the appliance manufacturer's instructions. The entire system, from the connection at the appliance to the top of the chimney must be completely inspected and cleaned by a professional certified chimney sweep, if necessary.

Formation of Creosote and Soot - Formation and Need for Removal

Note: Chimney fires are dangerous and preventable, we strongly encourage you to have your chimney liner cleaned regularly.

When wood is burning slowly, it produces tar and other organic vapors, which combine with expelled moisture to form creosote. The creosote vapors condense in the relatively cool flue of a slow burning fire. As a result creosote makes an extremely hot fire.

The chimney should be inspected at least once every two months during the heating season to determine if a creosote or soot buildup has occurred. If creosote or soot has accumulated it should be removed to reduce the risk of a chimney fire.

To clean the chimney lining system it is recommended to perform the following:

- 1) Remove cap by either removing the 4 bolts on the cap lid or by loosening the clamp band.
- 2) Select the proper sized chimney brush to clean the chimney. Be sure the brush head passes throughout the complete length of the liner, including the connectors, terminals and tees.
- 3) In some instances, proper cleaning will require removing the appliance and disassembling the connector assembly to thoroughly inspect and clean parts that cannot be reached otherwise.
- 4) Inspect and clean the chimney cap. Spark arrestors and other screens may be necessary or required in some areas, but may be susceptible to blockage from creosote or through freezing moisture in areas of low ambient temperature.
- 5) Reinstall chimney cap
- 6) Before the initial firing of the appliance, check the appliance's operating instructions for initial firing precautions.

Additional Information

After cleaning or inspecting the chimney or connector system, check *Olympia's Insulated Wall Thimble* for secureness of all parts. Make sure the chimney connector is routed to the chimney at the required upward pitch toward the chimney.