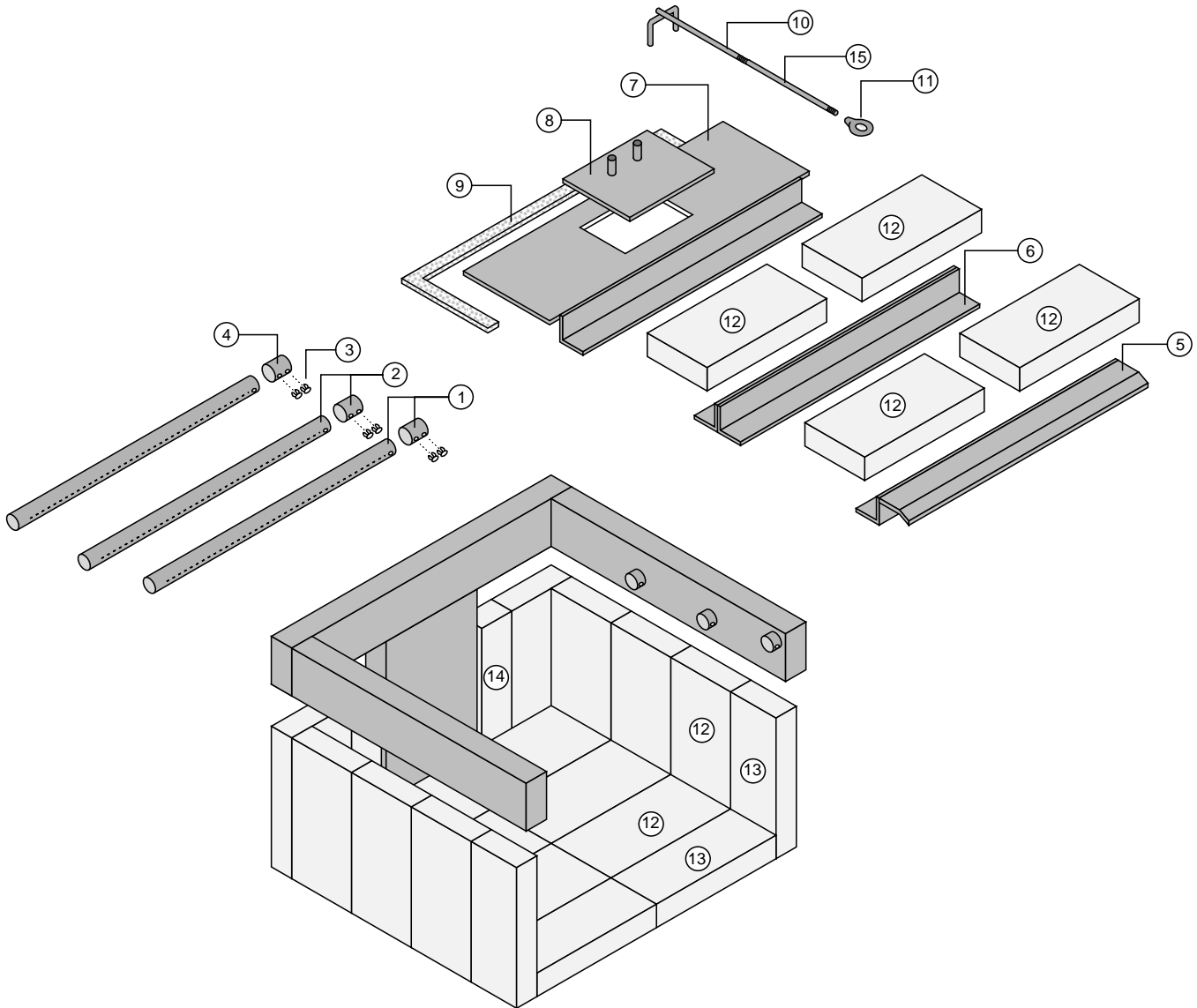


Firebox Parts



ID #	Description	Qty	Part #	ID #	Description	Qty	Part #
1	Front Air Tube & Sleeve	1	98900233	2	Mid or Rear Air Tube & Sleeve	2	98900233
3	Air Tube Push Pins	6	98900353	4	Air Tube Retainer Sleeve	3	98900356
5	Front Baffle Support	1	99900251	6	Center Baffle Support	1	99900250
7	Bypass Support	1	98900322	8	Bypass Damper	1	98900343
9	Bypass Support Gasket	1	91001701	10	Bypass Yoke	1	98900325
11	Bypass Pull Ring	1	98900336	12	Brick - 9" x 4.5" un-cut	18	98900102 (qty of 9)
13	Brick - 9"x 3-5/8" (cut)	4	99900126 (notate size)	14	Brick - 9" x 2-1/8" (cut)	2	99900126 (notate size)
15	Bypass Extender	1	98900334				

Floor and Side Firebrick Removal & Replacement

Do not pry firebrick - they chip and crack easily. Remove the floor firebricks first. The side firebrick are removed later because they are pinned in place by the floor firebrick. Clean the firebox prior to replacing the firebrick.