

YOU TUBE

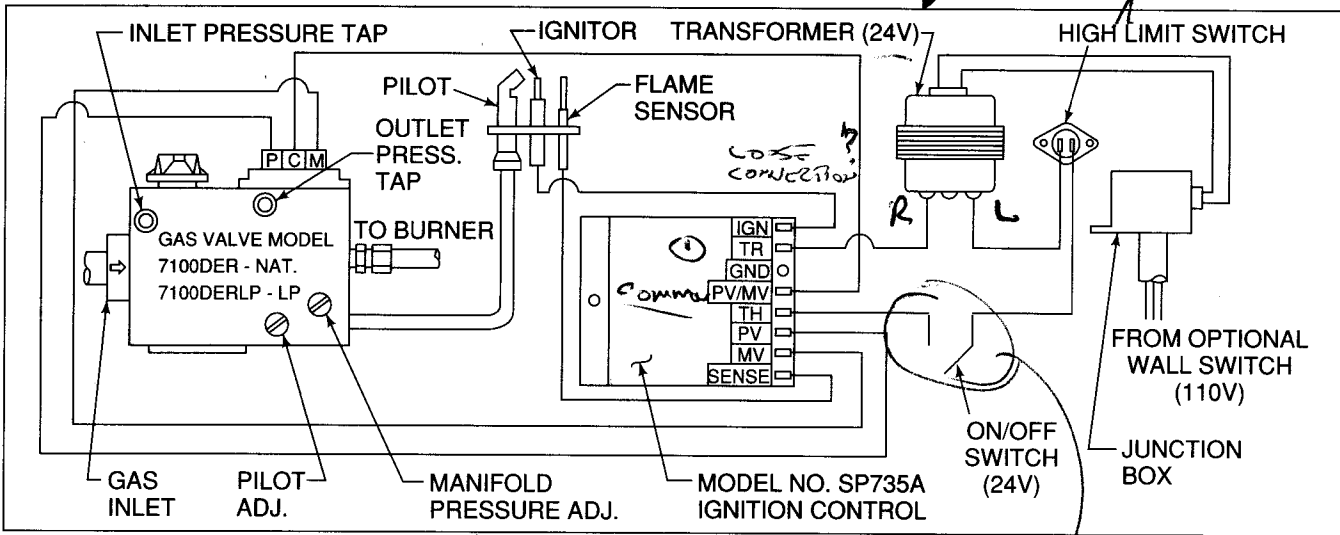


Figure 5

MAINTENANCE INSTRUCTIONS

Keep the burner and control compartment clean by brushing at least once a year. Always turn off the gas before cleaning.

Periodically visually check the flame of the pilot and burner, making sure the flames are steady; not lifting or floating. The flame color should be blue with yellow tips. The top 3/8" of the pilot sensor should be covered with flame. See Figures 6 and 7.

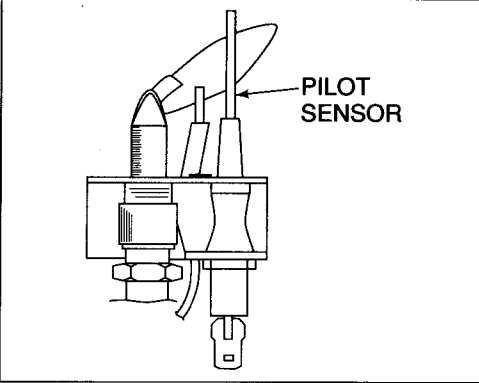


Figure 6

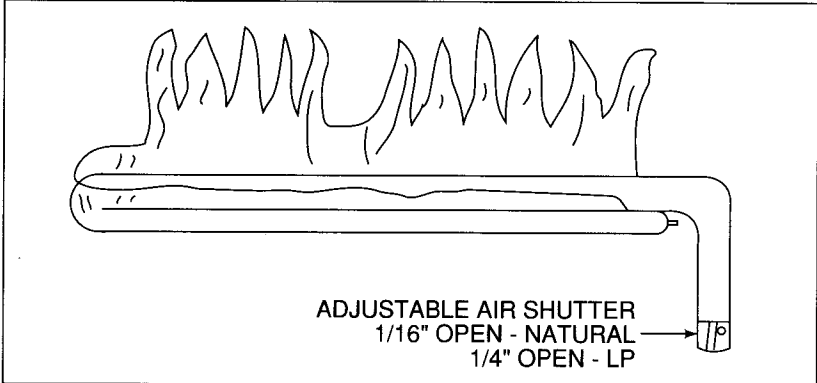


Figure 7

The appliance and venting system should be inspected before use, or at least annually, by a qualified field service person, to ensure that the flow of combustion and ventilation air is not obstructed.

Keep the area near the appliance clear and free from combustible materials, gasoline and other flammable vapors and liquids.

NOTE: When first operated, the unit will release an odor for about an hour. This is caused by the curing of the paint and the burning off of any oils remaining from manufacturing.

WARNING

CHILDREN AND ADULTS SHOULD BE ALERTED TO THE HAZARDS OF HIGH SURFACE TEMPERATURE AND SHOULD STAY AWAY TO AVOID BURNS OR CLOTHING IGNITION. YOUNG CHILDREN SHOULD BE CAREFULLY SUPERVISED WHEN THEY ARE IN THE SAME ROOM AS THE APPLIANCE.

WARNING

ANY SAFETY SCREEN OR GUARD REMOVED FOR SERVICING AN APPLIANCE MUST BE REPLACED PRIOR TO OPERATING THE APPLIANCE.

CLOTHING OR OTHER FLAMMABLE MATERIAL SHOULD NOT BE PLACED ON OR NEAR THE APPLIANCE.