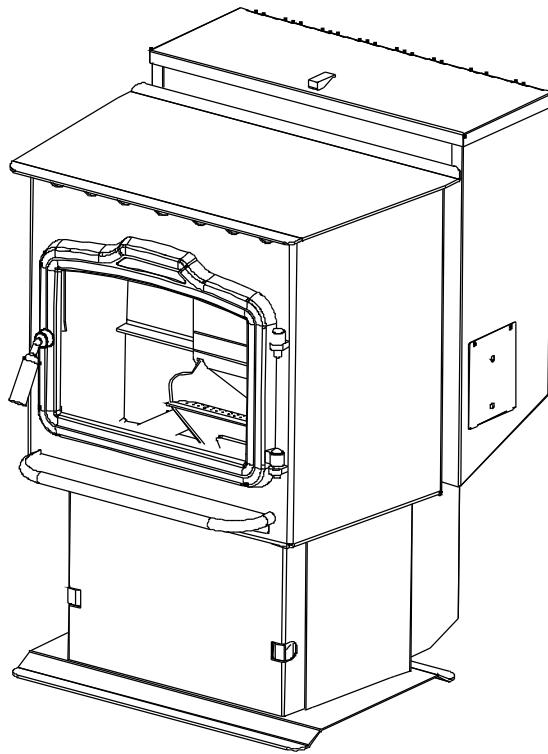


Installation & Operating Manual

The Harman PP38+ Pellet Stove



Tested by Intertek Testing Service
Tested to: UL 1482, ASTM E 1509-95,
Oregon 814-23-900 THRU 814-23-909,
ULC-S627-M90, WH-PN 025

“Ce manuel est disponible en Français sur demande”

R8

SAFETY NOTICE

PLEASE READ THIS ENTIRE MANUAL BEFORE YOU INSTALL AND USE YOUR NEW ROOM HEATER. FAILURE TO FOLLOW INSTRUCTIONS MAY RESULT IN PROPERTY DAMAGE, BODILY INJURY, OR EVEN DEATH.

FOR USE IN THE U.S. AND CANADA. SUITABLE FOR INSTALLATION IN MOBILE HOMES

IF THIS HARMAN PELLET STOVE IS NOT PROPERLY INSTALLED, A HOUSEFIRE MAY RESULT. FOR YOUR SAFETY, FOLLOW INSTALLATION DIRECTIONS.

CONTACT LOCAL BUILDING OR FIRE OFFICIALS ABOUT RESTRICTIONS AND INSTALLATION INSPECTION REQUIREMENTS IN YOUR AREA.

CONTACT YOUR LOCAL AUTHORITY (SUCH AS MUNICIPAL BUILDING DEPARTMENT, FIRE DEPARTMENT, FIRE PREVENTION BUREAU, ETC.) TO DETERMINE THE NEED FOR A PERMIT.

CETTE GUIDE D'UTILISATION EST DISPONIBLE EN FRANCAIS. CHEZ VOTRE CONCESSIONNAIRE DE HARMAN STOVE COMPANY.

SAVE THESE INSTRUCTIONS.

Assembly & Installation	4
Venting	8
Turbo Control	12
Operation	13
Maintenance	14
Trouble Shooting	16
Feeder Parts	17
Specifications	17
Wiring Diagram	18
Options	19
Warranty	22

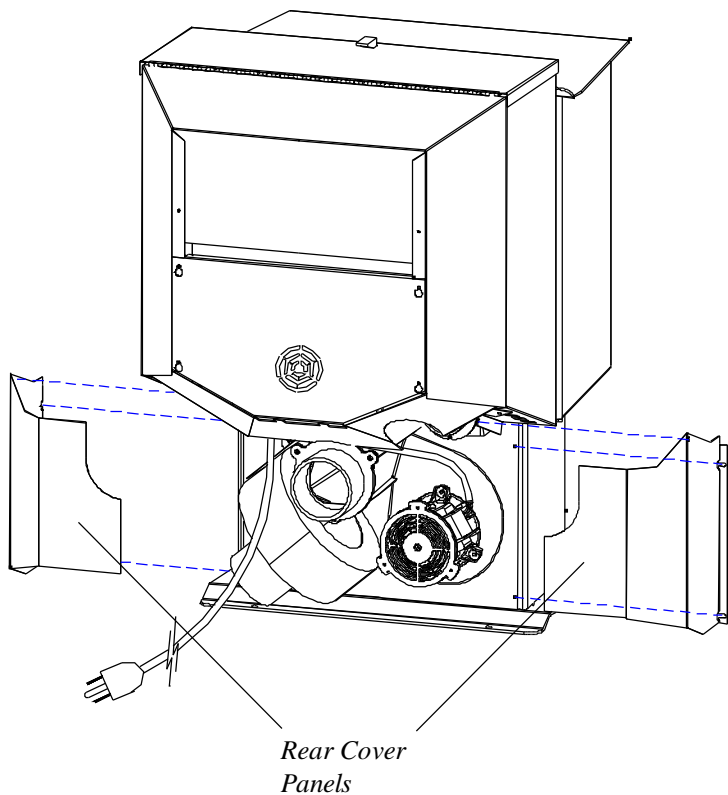
Please read this entire manual before you install and use your new room heater. Failure to follow instructions may result in property damage, bodily injury, or even death.

SUITABLE FOR MOBILE HOME INSTALLATIONS.

SAVE THESE INSTRUCTIONS

Harman Stove Company

352 Mountain House Road
Halifax, PA 17032



Unpacking

Cut straps holding box together and remove box from skid.

The 38+ is bolted to the skid to prevent movement during shipping.

To free the stove from the skid you must remove the hold-down bolts in the rear of the pedestal base.

Installing Rear Cover Panels

The rear cover panels are removed from the stove to make it easier to get at the hold-down bolts.

The rear cover panels are packed inside the hopper and should be installed on the stove as shown. This should be done after the stove is in place and flue is connected.

Firebrick

Install the firebrick horizontally on the angle above the burnpot.

Flame Guide

Install the cast iron flame guide on top of the burnpot and make sure it is fully seated against the auger opening. The bottom of the flame guide is marked 38+.

Assembling the door

Referring to the diagram, note how the various components of the door system fit together. Lay the door face down on a soft surface.

Clean the glass and gold door using a nonabrasive cleaner. Install the glass gasket around the outer edge of the front face of the door glass carefully to insure proper sealing. Set the glass pane gently onto the door. Install the hold-down clips and tighten with bolts as shown.

Install door on stove with hinge pins.

Install door handle as shown on the diagram. **NOTE:** With the flat surface of the paw bolt to the inside of the door.

Turn the paw bolt "in" for approx. (17) turns.

Turn the brass elbow onto the paw bolt approx. (5) turns.

Align the set screw with the flat spot on the paw and tighten.

After attaching the door handle, close and latch the door by turning the handle to the six o'clock position. Does the door rope compress? If not, loosen the set screw, turn the paw bolt one more turn into the door. Repeat as required to achieve a tight door fit.

NOTE: Remember to thoroughly clean the glass and the gold door frame before lighting the stove for the first time.

Door Glass

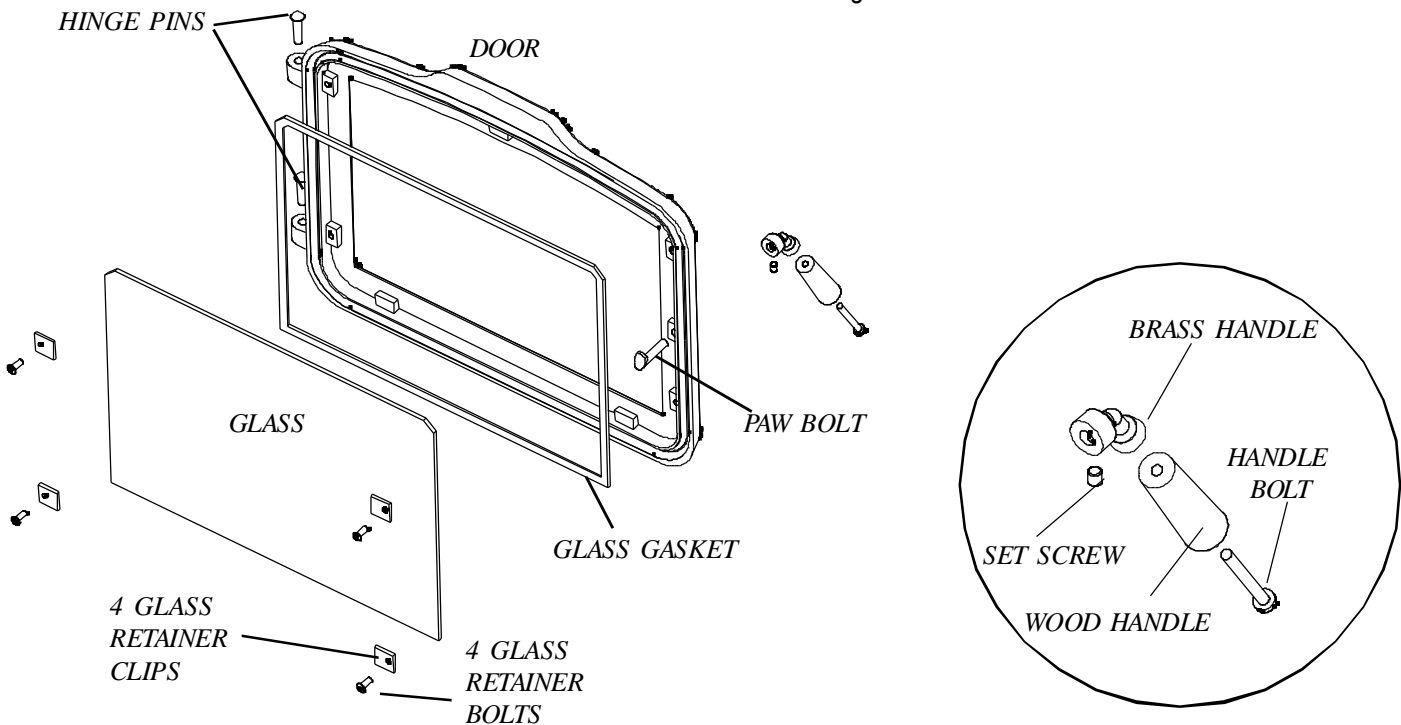
- * Rope the glass carefully to insure proper sealing.
- * Apply the rope exactly along the edge of the external face of the glass, not overhanging or pressed too far in from the edge.
- * Make sharp 90° turns at the corners.
- * Overlap the ends of the rope at the upper left or right corners.

Glass Retainer Clips

- * Use the glass retainer clips and screws supplied in the door kit.
- * Use a 1/8" Allen wrench to tighten the glass clips to cast door with 10-24 x 3/8" screws supplied.

Paw Bolt

- * The paw bolt should be turned into the door from the inside approximately 17 turns.
- * With the set screw removed, turn the brass elbow onto the paw bolt approximately 5 turns, or until a 1/16" clearance is achieved between the elbow and the door face (make sure to stop on the flat spot of the paw bolt).
- * The set screw on the brass elbow must be aligned to contact the flat spot on the paw bolt, then tighten using a 5/32" Allen wrench.
- * After attaching the door handle, close and latch the door by turning the handle to the six o'clock position. During this process observe to see that the door rope is being compressed properly.
- * If it does not compress, loosen the set screw and turn the paw bolt one additional turn into the door. Repeat as required to insure a tight seal.



Place the stove on a noncombustible floor protector that extends 6 inches to the front, 6 inches to the sides and 1 inch to the rear of the stove. The minimum floor protector material is 24 gauge sheet metal.

Place the stove away from combustible walls at least as far as shown in figures 3,4 and 5. Please note the difference in side wall clearance with and without side shields.

Note that the clearances shown are minimum for safety but do not leave much room for access when cleaning or servicing. Please take this into account when placing the stove.

Connect the power cord to a 120 V.A.C. 60Hz grounded receptacle. (A surge protector is recommended to protect the circuit board).

Prior to installing flue pipe, connect a draft meter to the stove as shown in fig. 6 . (The draft meter must have a minimum range of 0-.5). Set control board to "1" on the feed rate dial. Record draft reading here _____ (should read at least .15" cold. Allow combustion blower to operate for approximately 1 minute before recording or adjusting low draft.). See page 19 for low draft adjustment procedures.

After connecting the flue system, follow the above procedure. However, prior to taking the draft reading be sure all doors and windows in the home are closed. Record the draft reading _____. If this reading is more than .05" lower than the unconnected reading, check for possible restrictions or the need for outside air (see page 7).

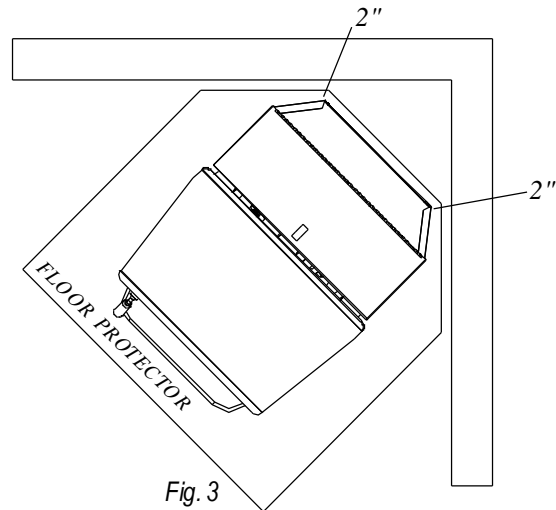


Fig. 3

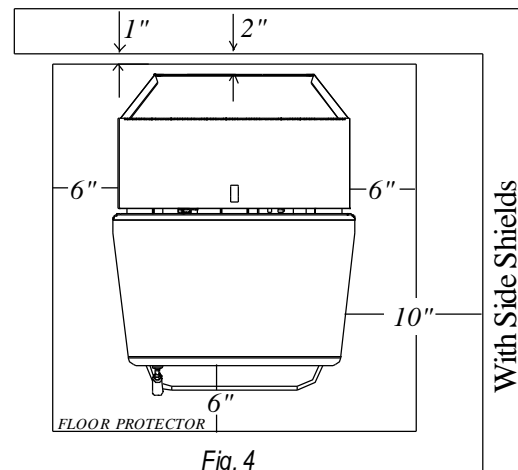


Fig. 4

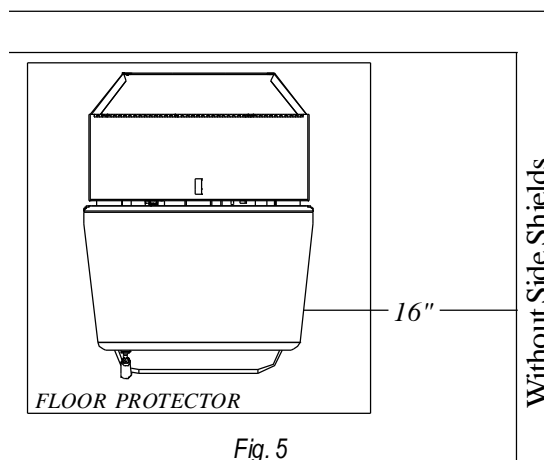


Fig. 5

Mobile Home Installation

When installing this unit in a mobile home several requirements must be followed:

1. The unit must be bolted to the floor. This can be done with 1/4" lag screws through the 2 holes in the base plate.
2. The unit must also be connected for the outside air. See page 8.
3. Floor protection and clearances must be followed as shown.
4. Unit must be grounded to the metal frame of the mobile home.

CAUTION: This appliance must be vented to the outside.

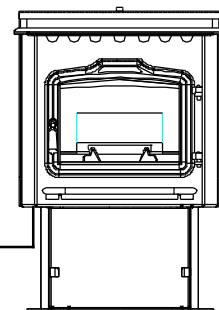
Mobile home installation should be done in accordance with the Manufactured Home and Safety Standard (HUD), CFR 3280, Part 24.

CAUTION

The stove is hot while in operation. Keep children, clothing and furniture away. Contact may cause skin burns.



Fig. 6



Requirements for Terminating the Venting

WARNING: Venting terminals must not be recessed into a wall or siding.

NOTE: Only PL vent pipe wall pass-throughs and fire stops should be used when venting through combustible materials.

NOTE: Always take into consideration the effect the prevailing wind direction or other wind currents will cause with flyash and /or smoke when placing the termination.

In addition, the following must be observed:

A. The clearance above grade must be a minimum of 18".¹

B. The clearance to a window or door that may be opened must be a minimum of 48" to the side and 48" below the window/door, and 18" above the window/door.¹

(above window/door with outside air installed, 9")

C. A 12" clearance to a permanently closed window is recommended to prevent condensation on the window.

D. The vertical clearance to a ventilated soffit located above the terminal within a horizontal distance of 2 feet (60 cm) from the center-line of the terminal must be a minimum of 18".

E. The clearance to an unventilated soffit must be a minimum of 12".

F. The clearance to an outside corner is 11" from center of pipe.

G. The clearance to an inside corner is 12".

H. A vent must not be installed within 3 feet (90 cm) above a meter/regulator assembly when measured from the horizontal center-line of the regulator.¹

I. The clearance to service regulator vent outlet must be a minimum of 6 feet.¹

J. The clearance to a non-mechanical air supply inlet to the building or the combustion air inlet to any other appliance must be a minimum of 48".¹

K. The clearance to a mechanical air supply inlet must be a minimum of 10 feet.¹

(with outside air installed, 6 feet)

L. The clearance above a paved sidewalk or a paved driveway located on public property must be a minimum of 7 feet.^{1,2}

M. The clearance under a veranda, porch, deck or balcony must be a minimum of 12 inches.^{1,3}

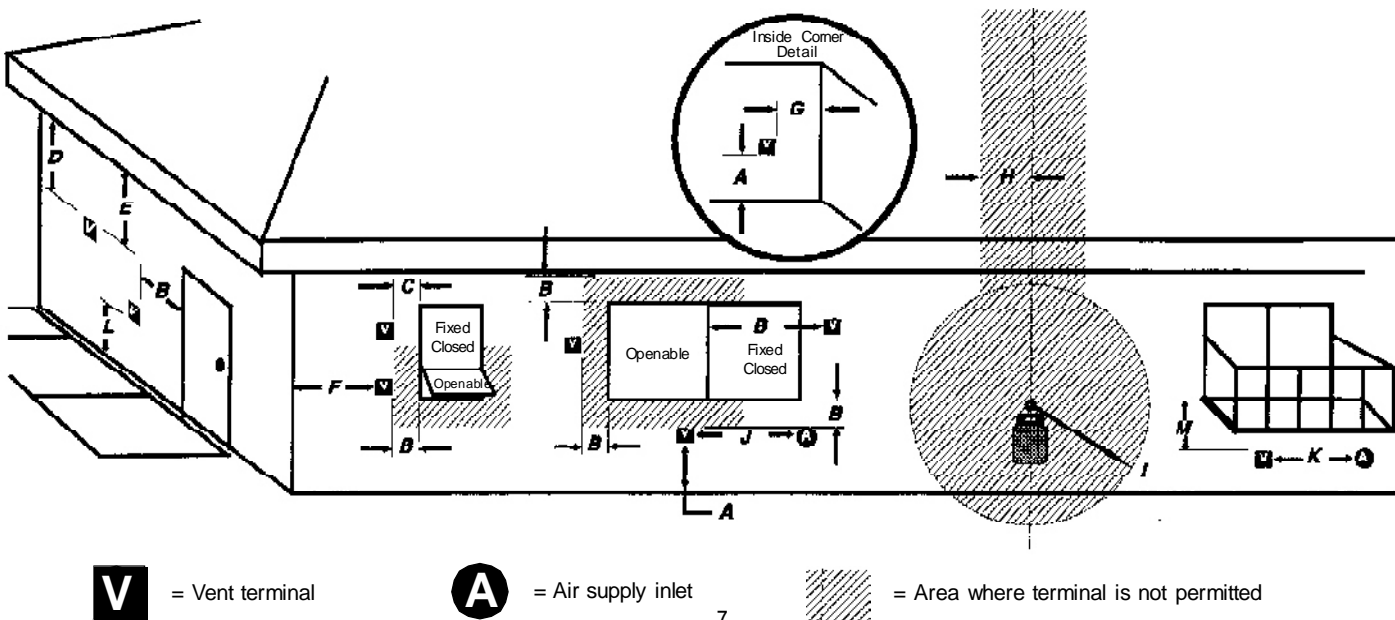
NOTE: The clearance to vegetation and other exterior combustibles such as mulch is 36" as measured from the center of the outlet or cap. This 36" radius continues to grade or a minimum of 7 feet below the outlet.

¹Certain Canadian and or Local codes or regulations may require different clearances.

²A vent shall not terminate directly above a sidewalk or paved driveway which is located between two single family dwellings and serves both dwellings.

³Only permitted if veranda, porch, deck, or balcony is fully open on a minimum of 2 sides beneath the floor.

NOTE: Where passage through a wall, or partition of combustible construction is desired, the installation shall conform to CAN/CSA-B365. (if in Canada)



IMPORTANT NOTICE

Pellet Vent Pipe or PL Vent Pipe Must be used.

A combustion blower is used to extract the combustion gases from the firebox. This causes a negative pressure in the firebox and a positive pressure in the venting system as shown in fig. 7. The longer the vent pipe and more elbows used in the system, the greater the flow resistance. Because of these facts we recommend using as few elbows as possible and 15 feet or less of vent pipe. The maximum horizontal run should not exceed 48". If more than 15 feet of pipe is needed, the diameter should be increased from 3" to 4" because a larger pipe causes less flow resistance. Be sure to use approved pellet vent pipe and wall pass through fittings.

Vent Pipe

Pellet venting pipe (also known as PL vent) is constructed of two layers with air space between the layers. This air space acts as an insulator and reduces the outside surface temperature to allow a clearance to combustibles of only 3 inches. The sections of pipe lock together to form an air tight seal in most cases; however, in some cases a perfect seal is not achieved. For this reason and the fact that the 38+ operates with a positive vent pressure **we specify that the joints also be sealed with clear silicone.**

Outside Air

Outside air is optional except in mobile homes and where building codes require. The benefit of outside air is increased efficiency and should be used in small, or very well insulated homes.

To install outside air use 2 3/8" I.D. flex pipe part number 2-00-08543. There is a break-away hole on the rear panel which must be removed before connecting the flex pipe. The pipe should be run outside and terminate to the side or below the vent pipe outlet so the flue outlet is more than 12" from the inlet cover. The maximum length run of this pipe is 15 feet. If a longer run is needed the size must be increased to 3". Inlet cover part number 1-10-08542 should be used to keep bird, rodents etc. out of the pipe.

HRV

When installing in a house with a Heat Reclaiming Ventilation System (HRV) be sure the system is balanced and is not creating a negative pressure in the house.

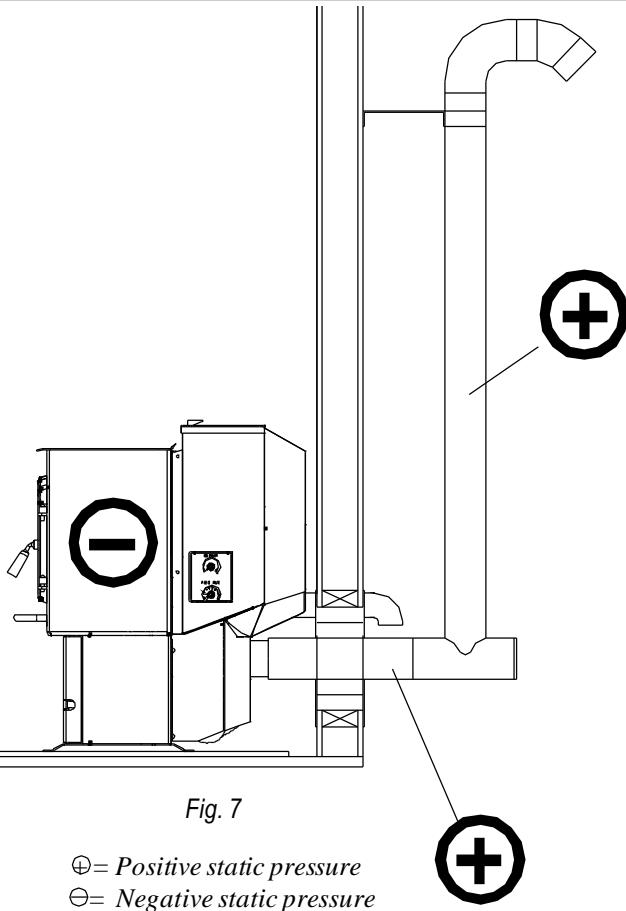
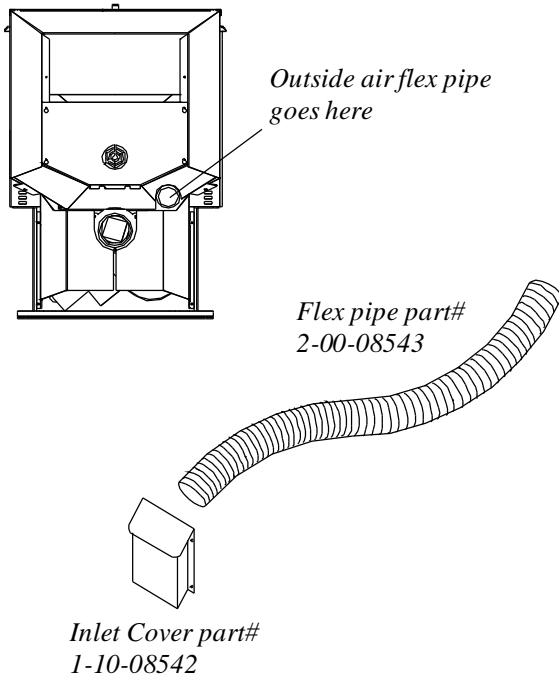


Fig. 7

⊕ = Positive static pressure
⊖ = Negative static pressure



#1 Preferred method

This method provides excellent venting for normal operation and allows the stove to be installed closest to the wall. Two inches from the wall is safe; however, four inches allows better access to remove the rear panel. The vertical portion of the vent should be three to five feet high. This vertical section will provide natural draft in the event of a power failure.

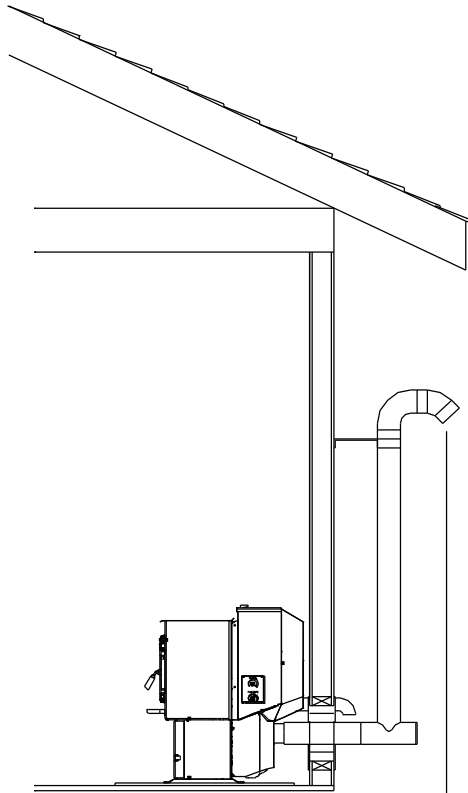


Fig. 8

3 ft.
to combustibles

#2 Preferred method

This method also provides excellent venting for normal operation but requires the stove to be installed farther from the wall. The vertical portion of the vent should be three to five feet high and at least three inches from a combustible wall. This vertical section will provide natural draft in the event of a power failure.

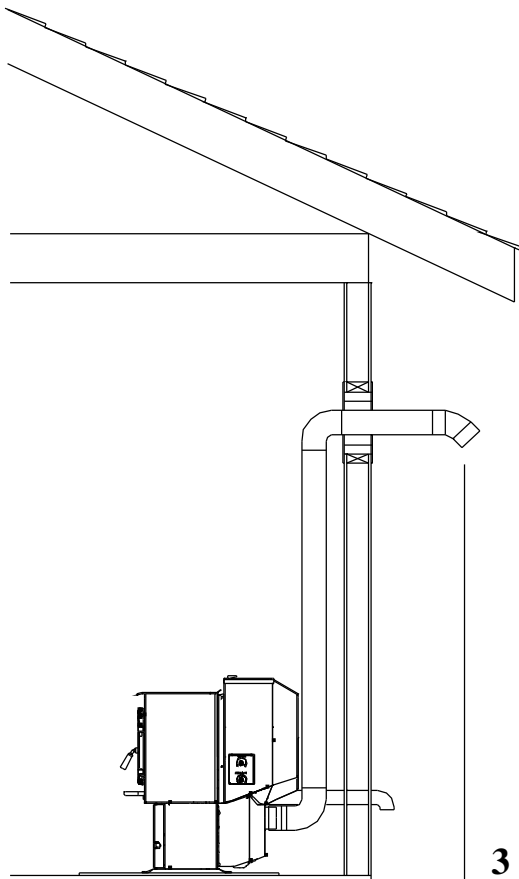


Fig. 9

3 ft.
to combustibles

CAUTION

KEEP COMBUSTIBLES (SUCH AS GRASS, LEAVES, ETC.) AT LEAST 3 FEET AWAY FROM THE FLUE OUTLET ON THE OUTSIDE OF THE BUILDING.

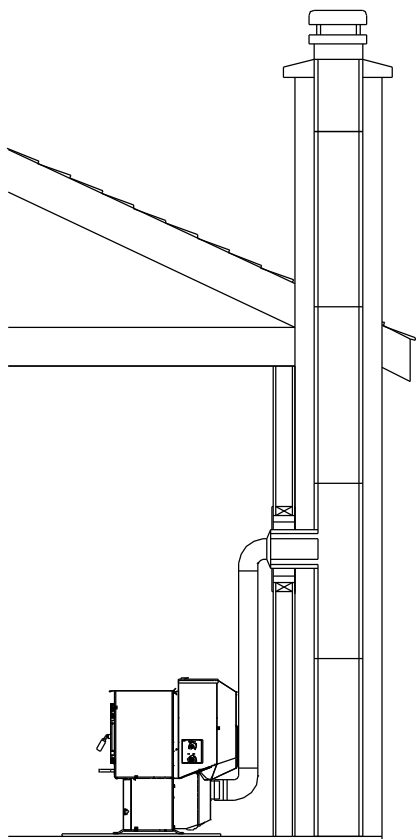


Fig. 10

#4 Installing into an existing chimney (US only)

This method provides excellent venting for normal operation. This method also provides natural draft in the event of a power failure. If the chimney condition is questionable you may want to install a liner as in method #7.

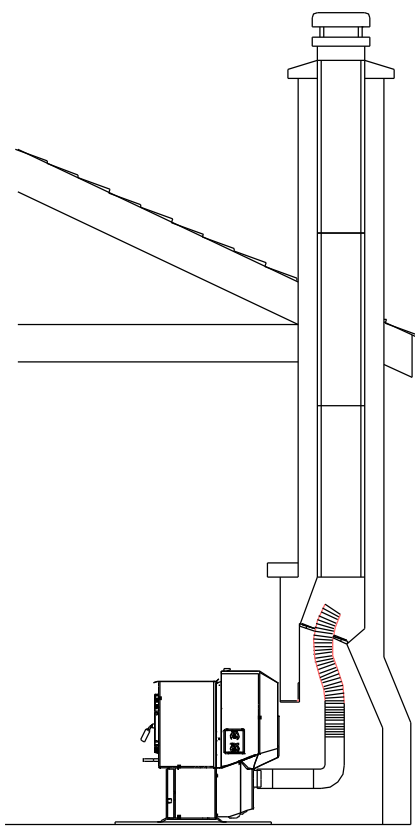


Fig. 11

#5 Installing into an existing fireplace chimney (US only)

This method provides excellent venting for normal operation. This method also provides natural draft in the event of a power failure.

The damper area must be sealed with a steel plate or fiberglass. A cap should be installed on the chimney to keep out rain. If the chimney condition is questionable you may want to install a liner all the way to the top as in method #6.

#6 Installing into an existing fireplace chimney (US and Canada)

This method provides excellent venting for normal operation. This method also provides natural draft in the event of a power failure.

In Canada and some places in the US it is required that the vent pipe extend all the way to the top of the chimney.

In this method a cap should also be installed on the chimney to keep out rain. Be sure to use approved pellet vent pipe fittings. Seal pipe joints with silicone in addition to the sealing system used by the manufacturer. Pipe size should be increased to 4" using this method.

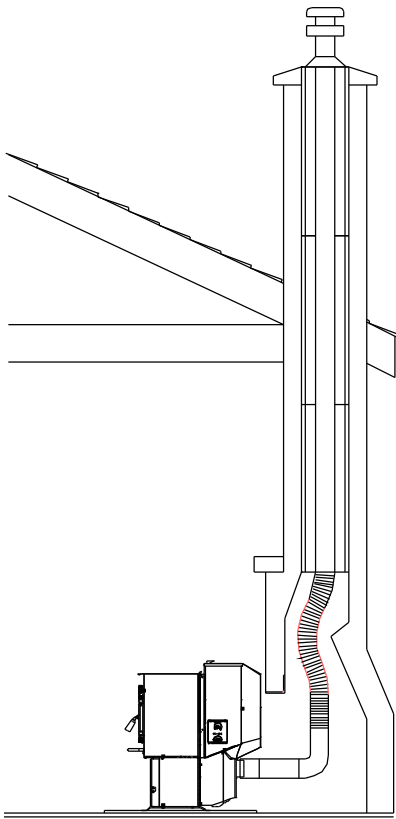


Fig. 12

#7 Installing into an existing chimney (US and Canada)

This method provides excellent venting for normal operation. This method also provides natural draft in the event of a power failure.

In Canada and some places in the US it is required that the vent pipe extend all the way to the top of the chimney. The pipe or liner inside the chimney should be 4" diameter.

In this method a cap should also be installed on the chimney to keep out rain. One disadvantage of this method is that it is harder to clean the vent pipe, therefore, there is a tendency not to do it as often as needed.

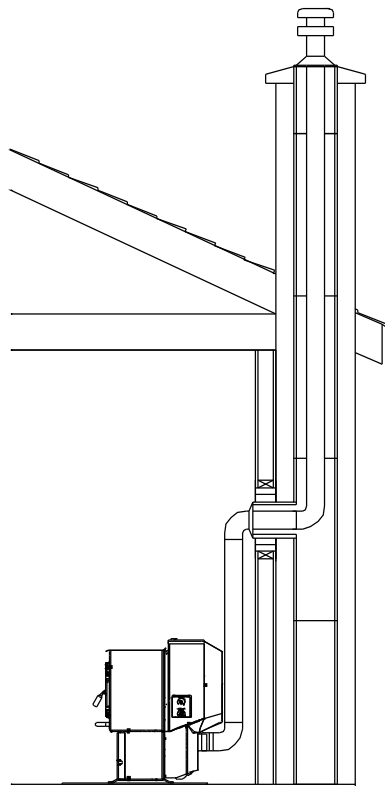
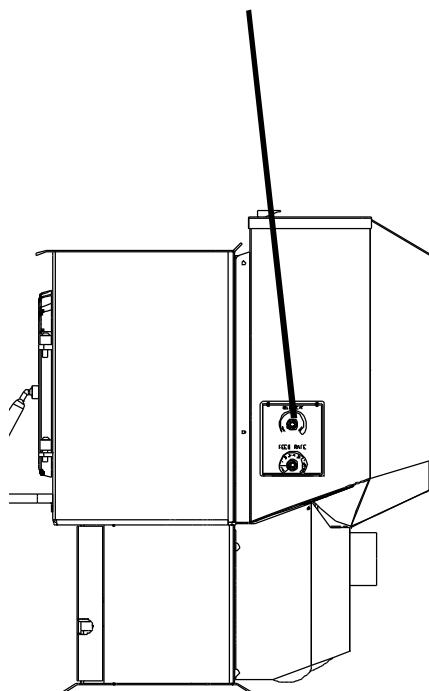
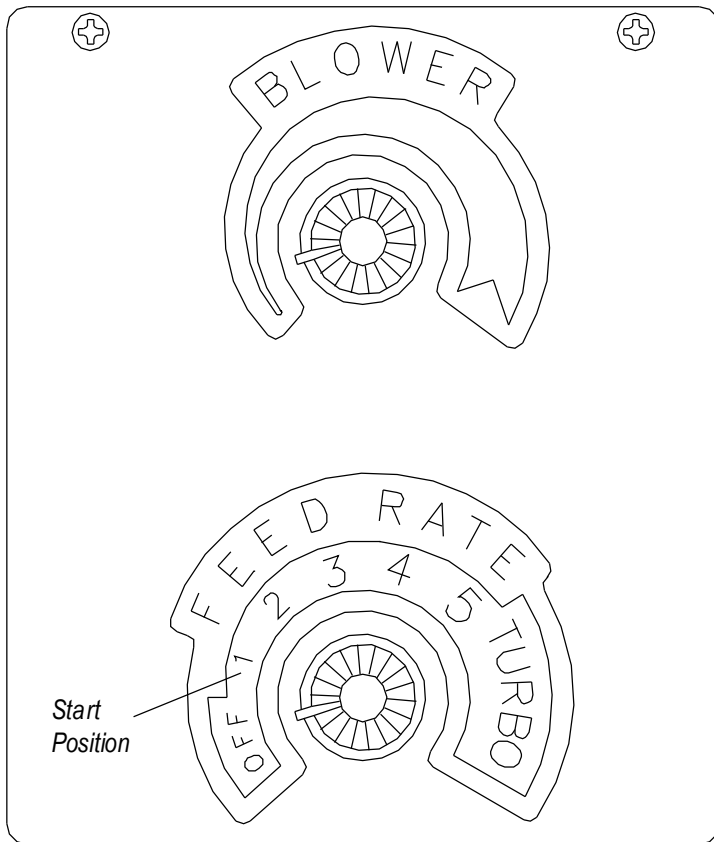


Fig. 13

When the Feed Rate is set to "1" and the Blower is set to the lowest setting, only 75 watts of electricity are used.

Fig. 14



Feed Rate

Turning the knob passed the "OFF" position starts the combustion blower and makes the stove ready to light as shown in fig 14. The distribution blower and feed motor will also run for one minute or less just to let you know they are operational.

After lighting the fire, the ESP probe in the exhaust senses when the temperature is high enough to start the feed motor and distribution blower.

The feed motor will start and stop as needed to maintain a fire relative to the dial setting of the feed rate.

Turbo Range

Turning the feed rate knob into the Turbo Range causes the feed rate to increase, providing extra heat not available in the normal range. It also causes the distribution blower to go to full speed. This is because you are asking for extra heat output, therefore, full blower speed is required.

Blower Speed Adjustment

This knob adjusts the blower speed from "Low" to "Hi" as desired. When the feed rate is turned into the Turbo Range, the blower automatically goes to high to force maximum heat into the room. The blower speed cannot be varied when in Turbo Range.

When a thermostat is connected, the blower is controlled by heating demands.

Thermostat (optional)

When a thermostat is connected to the stove it controls the heat output. When the thermostat calls for heat, the feed rate and blower go to "max" just like in Turbo Range. When the thermostat is satisfied, the feed rate and blower speed drop to the level set on the dials.

OFF

When the Feed Rate dial is turned to the OFF position the fire will slowly die and go out. When the stove cools down enough, all motors will stop.

If the stove runs out of pellets and cools down, the control will shut down all but the combustion blower. The control must be turned to OFF to stop the combustion blower. Whenever the stove runs out of pellets, the control must be turned to OFF and then back to the desired setting to reset the control for start-up.

Test Mode

To use test mode, turn the feed rate to OFF and then to Turbo. This will cause all the motors to run for one minute or less in order to verify operation. If the test does not last long enough, simply recycle test mode.

Placing too many pellets in the burn pot may cause the fire to be pushed off the end.

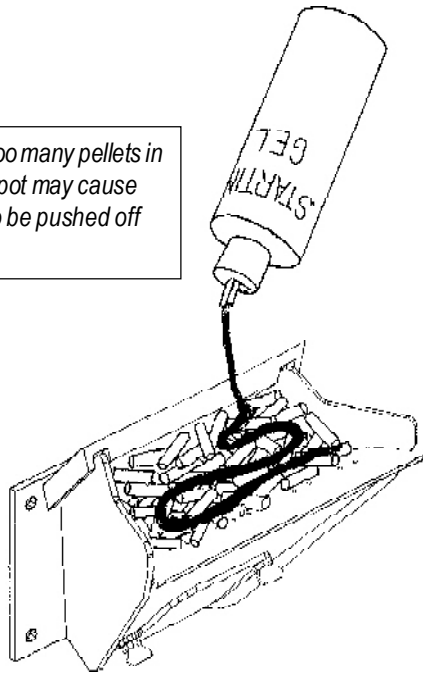


Fig. 15

Never use gasoline, gasoline-type lantern fuel, kerosene, charcoal lighter fluid, or similar liquids to start or "freshen up" a fire in this heater. Keep all such liquids well away from the heater while it is in use.

When filling hopper be sure to remove any pellets from ledge and around hinges before closing lid.

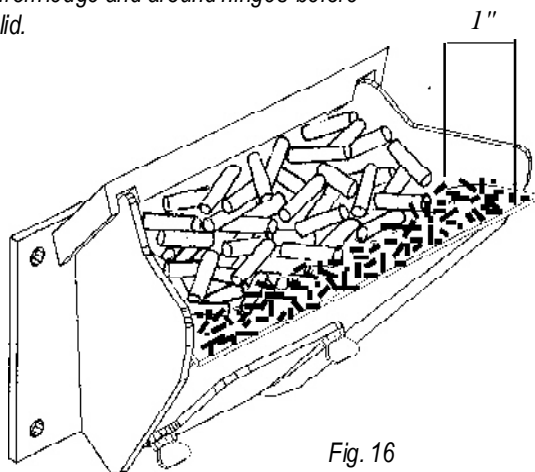


Fig. 16

Starting First Fire

Be sure the power cord is plugged into a 120 volt grounded receptacle.

Fill the hopper with pellets.

Fill the burn pot with pellets to a level **no more than** shown in Fig. 14.

Turn Feed Rate Dial to "1". NOTE: Every time the control is turned from "OFF" to any other position on the dial the stove goes through a self test for a minute or less during which all motors will run. After this period, only the combustion motor run. See Test Mode.

Apply starting gel to pellets in burn pot and **light** the gel as shown in fig. 15. Close the door after lighting (**A low draft pressure switch will not allow the feed motor to operate with the door open**). As the temperature of the fire increases, the feed motor will start and pellets will feed into the burn pot. As the stove temperature increases the distribution blower will start and run at the speed set on the Blower Speed dial.

Normal Operation: After the fire is established turn the feed rate to the desired setting from "1" to "5". The ESP probe in the exhaust will sense the flue gas temperatures and adjust the feed rate in order to maintain a stove temperature relative to the setting on the dial. The blower Speed may be adjusted by turning the blower to the desired setting.

Turbo Operation: Turning the feed rate into the Turbo range will provide approximately 5000 btu's more than in Normal range.

Shut-Down Procedure

To kill the fire or stop burning the stove, turn the Mode Selector to "OFF". This will cause the fire to diminish and burn out. When the fire burns out and the stove cools down, everything will stop.

If you pull the plug to shut down the stove, all motors will stop. This may cause incomplete combustion and smoke in the firebox. If the load door is opened the smoke may escape.

The best way to shut down the stove is simply let it run out of pellets, then turn the control to "OFF".

Removing Ashes

When approximately 1 ton of pellets has been burned it will be necessary to empty the ash pan.

Ashes should be placed in a metal container with a tight fitting lid. The closed container of ashes should be placed on a noncombustible floor or on the ground, well away from all combustible materials, pending final disposal. If ashes are disposed of by burial in soil or otherwise locally dispersed, they should be retained in the closed container until all cinders have thoroughly cooled.

It is recommended that the stove is cold and shut down when removing ash pan.

1. Pull on latch handles and remove ash pan as shown at left. Use ash pan handle to carry and dispose of ashes.
2. Slide the ash pan back into the stove and latch by pushing in on both latches simultaneously.

Cleaning

The stove will need to be cleaned for approximately every 2 to 5 tons of pellets burned. The amount of pellets burned before cleaning will vary depending on the brand of pellets.

1. Shut down stove and **disconnect power cord** to insure that all motors are stopped.
2. Open burn pot clean-out. Clean fly ash from burn pot and replace cover.
3. Clean heat exchanger with scraper as shown in fig 27.
4. Brush or scrape the inside of the stove to remove fly ash.
5. Scrape burnpot with flat end of scraper provided with the stove. Fig. 33.
6. Remove ash pan.
7. Remove combustion blower cover by turning the blower cover latch vertical, see Fig.26. Sliding the cover out of the slot on the left. This will expose the combustion blower wheel and flue outlet, Fig.27.

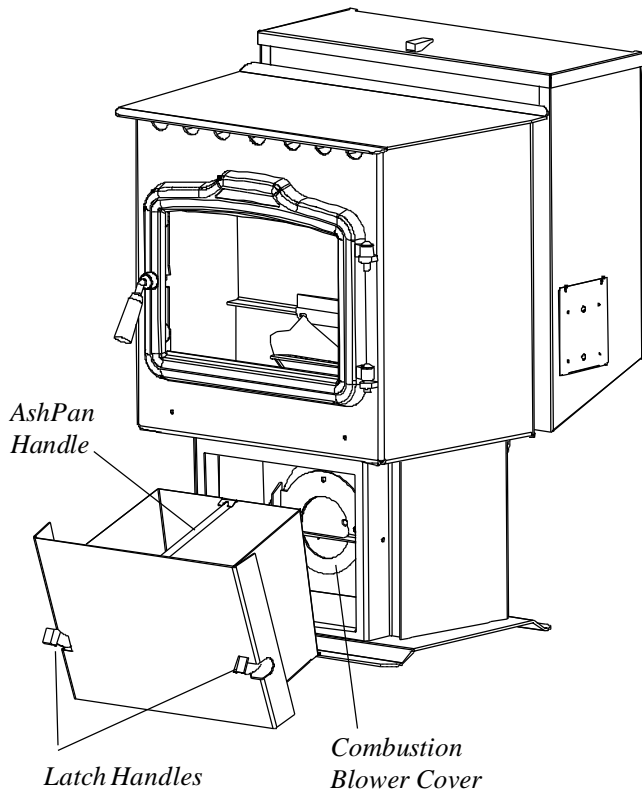


Fig. 17

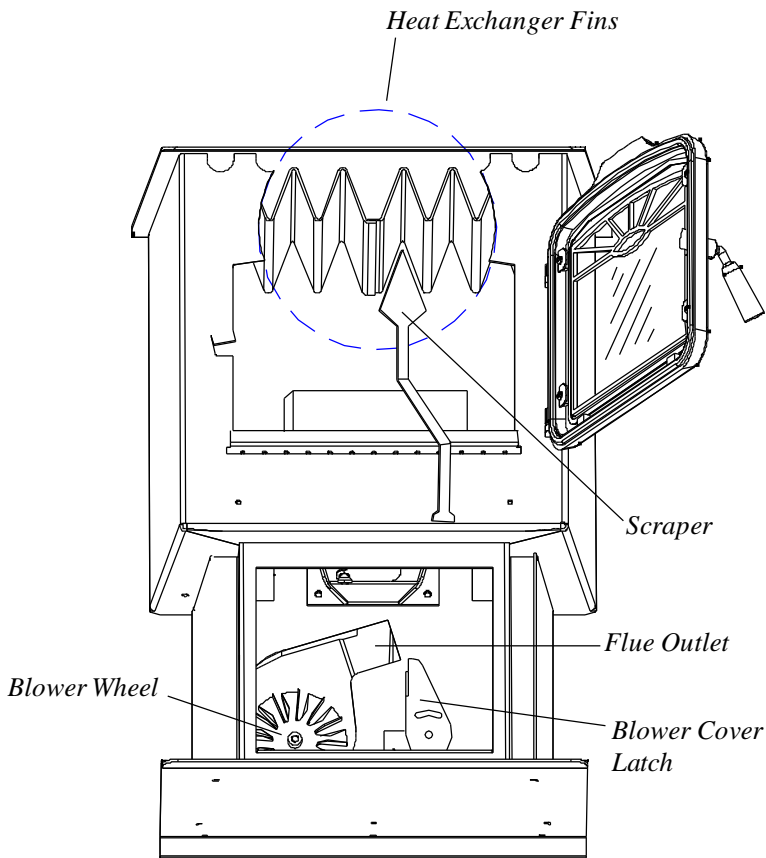


Fig. 18

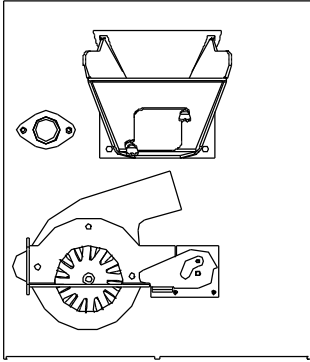


Fig. 19

Latch "closed" with blower cover in place. Burn pot clean-out is closed.

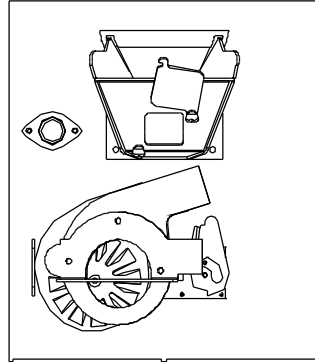


Fig. 20

Latch "open" with blower cover partly removed. Burn pot clean-out is open.

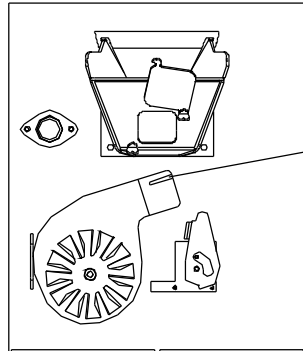
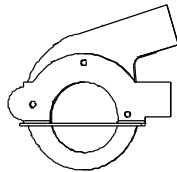


Fig. 21

Exposed blower wheel and flue opening, NOTE: ESP probe is visible.

ESP probe



Blower cover removed.

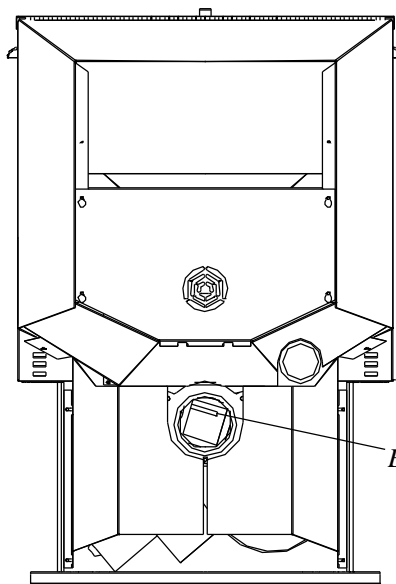
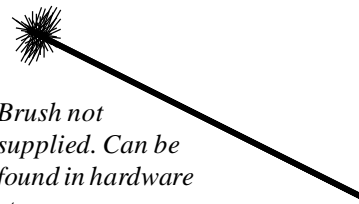


Fig. 22

ESP Probe

Be careful not to damage ESP probe when cleaning with brush.

8. Clean the blower wheel with a brush and a vacuum cleaner.
9. Use a brush to clean the flue, being careful not to damage the ESP probe, see Fig. 30. The flue goes straight through into the vent pipe (Fig.27) therefore, the vent pipe can also be cleaned to some extent through the flue outlet.
10. Reinstall blower cover and relatch.
11. Slide ash pan into stove and latch into place.



Brush not supplied. Can be found in hardware stores.

Fig. 23

Soot and Fly Ash

The products of combustion will contain small particles of fly ash. The fly ash will collect in the exhaust venting system and restrict the flow of the flue gases. Incomplete combustion, such as occurs during startup, shutdown, or incorrect operation of the room heater, will lead to some soot formation which will collect in the exhaust venting system. The exhaust venting system should be inspected at least once every year to determine if cleaning is necessary.

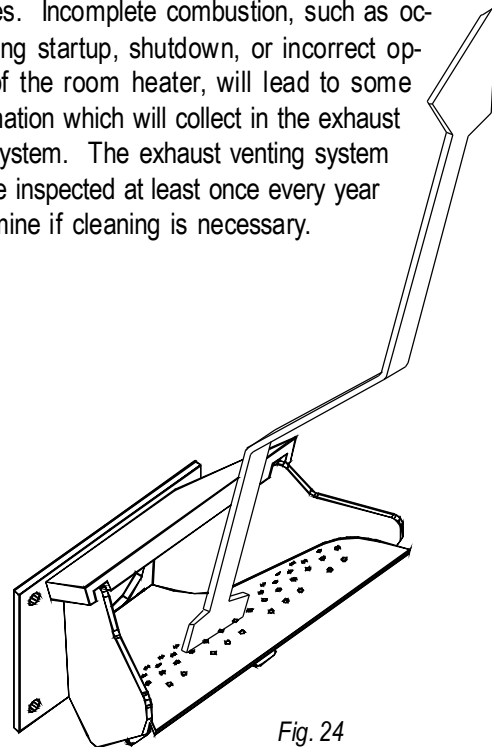


Fig. 24

FEEDER DOES NOT FEED

1. No pellets in hopper.
2. Feed motor will not run until ESP senses 165 deg. F. Maybe you did not put enough pellets in the burn pot before lighting the fire.
3. Feed motor has failed.
4. Something is restricting flow in the hopper or causing the slide plate to stick.
5. Firebox draft may be too low for low draft pressure switch in feeder circuit to operate. Check for closed doors, loose or missing gasket on doors or hopper lid, faulty pressure switch.

PARTIALLY BURNED PELLETS

1. Feed rate too high.
2. Draft too low. (Check burn pot clean- out slide and door gasket).
3. Burn pot or heat exchanger tubes may need to be cleaned.
4. Combination of all the above.

SMOKE SMELL

Seal the vent pipe joints and connection to stove with silicone.

FIRE HAS GONE OUT

1. No pellets in hopper.
2. Feed rate too low.
3. Something is restricting fuel flow.
4. Feed motor or draft motor has failed.
5. Power failure or blown fuse.

SMOKE IS VISIBLE COMING OUT OF VENT

1. Air-fuel ratio is too rich.
 - A. Feed rate too high.
 - B. Draft too low caused by a gasket leak.

LOW HEAT OUTPUT

1. Feed rate too low
2. Draft too low because of gasket leak.
3. Poor quality or damp pellets
4. Combination of 1. and 2.

Helpful Hints

Cleaning Burn Pot

Whenever your stove is not burning, take the opportunity to scrape the burn pot to remove carbon buildup. A vacuum cleaner is handy to remove the residue. Be sure the stove is cold if you use a vacuum.

Carbon buildup can be scraped loose with the fire burning using the special tool provided with your stove. Scrape the floor and sides of the burn pot. The carbon will be pushed out by the incoming fuel. Always wear gloves to do this.

Removing Ashes

Turn the Feed Rate Dial to number 1 approximately 30 minutes before removing ashes. This will result in a cooler stove and ash pan.

Maximum Turbo settings are not needed in most cases. Operating in the normal range is recommended when maximum heat output is not required. The ESP probe prevents the stove from being over-fired.

Keep the stove free of dust and dirt.

Fuel

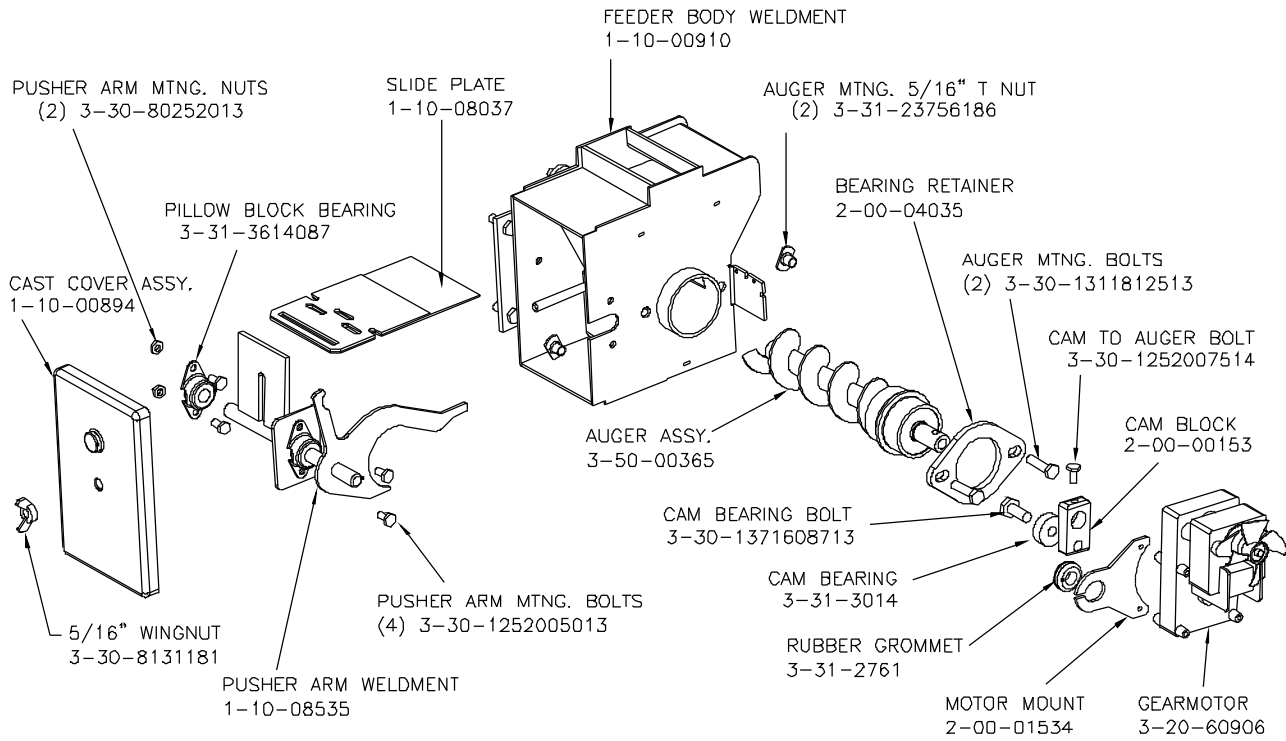
Pellet fuels are put into 3 categories in terms of ash content. Premium at 1% or less, Standard at 3% or less and all others at 3% or more.

The 38+ is capable of burning all 3 categories of pellets due to a patented feeder and burn pot system.

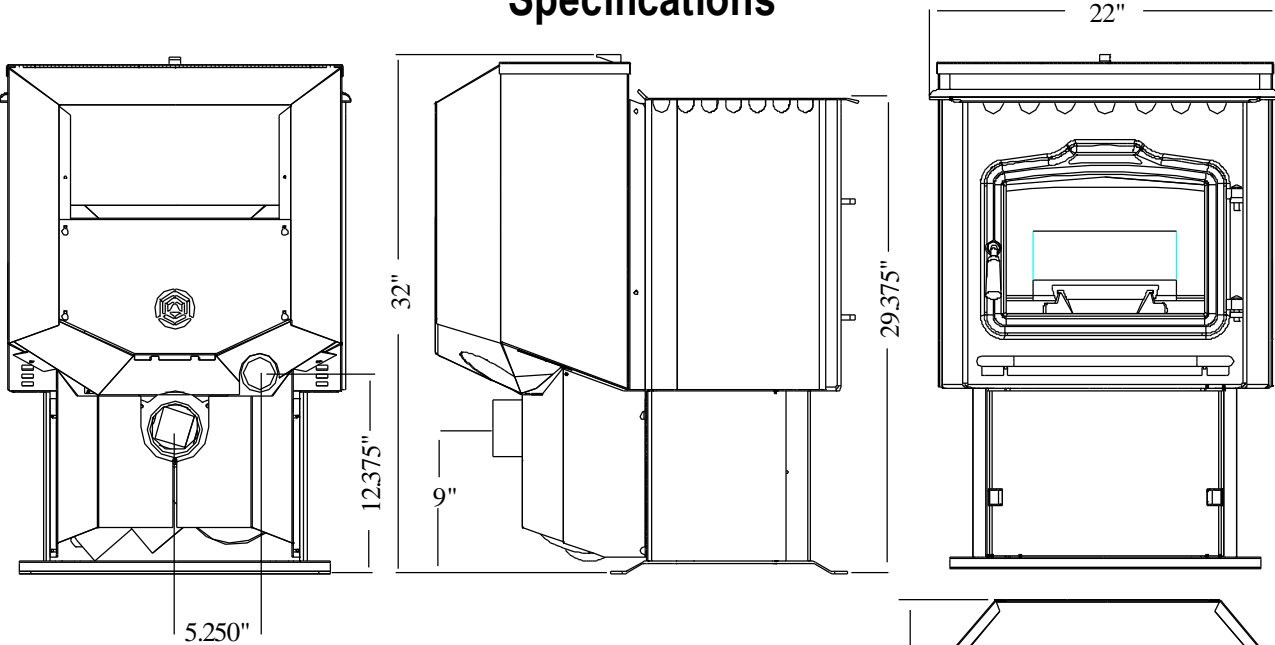
It should be noted, however, that higher ash con-

tent will require more frequent ash removal and may provide less BTU's per lb. Normally, standard and high ash pellets cost less than premium pellets and can be cost effective when burned in the 38+.

The moisture content must not exceed 8%. Higher moisture will rob BTU's and may not burn properly.



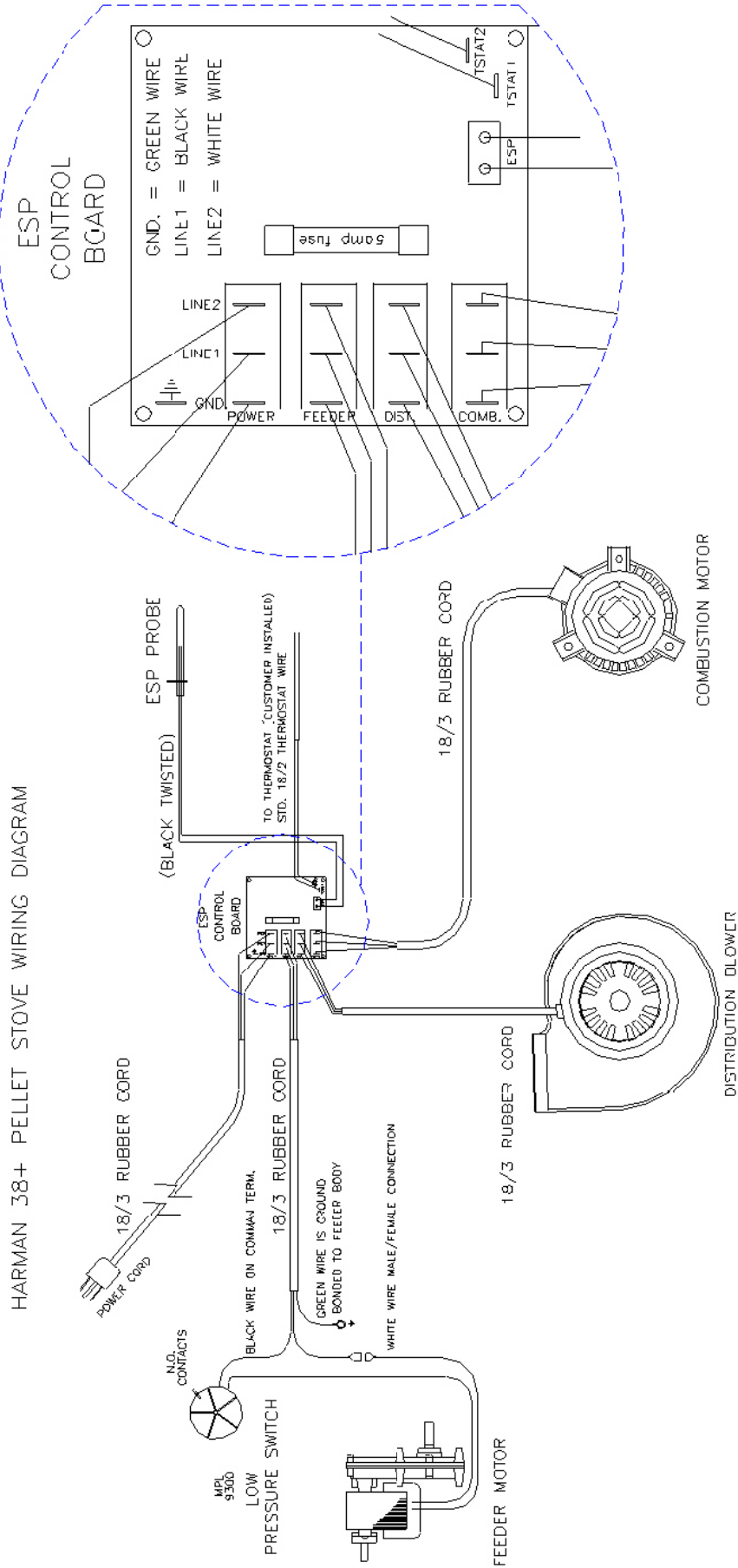
Specifications



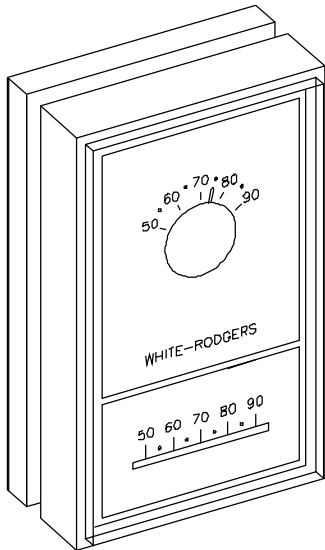
Weight	212 lbs.
Blower	135 cfm
Feed Rate	.75 to 5.5 lbs. per hr.
Hopper Capacity	50 lbs.
Fuel	Wood Pellets
Flue Size	3 inch
Outside Air Size	2 3/8 I.D. inch
Fuse Rating	3 amp

Wiring Diagram

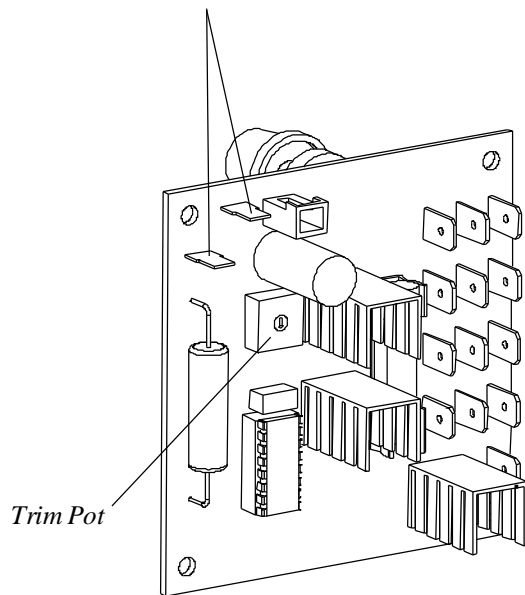
P38+ Pellet Stove



300 WATTS --- 2.5 A. --- 120 VOLTS A.C. 60 HZ.



Thermostat Terminals



What is a thermostat?

A thermostat is a switch that opens or closes at a set room temperature. For example: When you set the thermostat to 70 degrees, the switch will be closed causing the stove to burn on "Turbo" until the room temperature reaches 70 degrees. Then the switch will open, causing the stove to go to "low" which is where the feed rate is set.

Installing Thermostat

The thermostat should be mounted in a central location. Avoid isolated rooms with poor air circulation.

Run thermostat wire (available at most hardware stores) from the thermostat to the rear of the unit and up to the thermostat terminals on the control board. **disconnect power before accessing control board.** The control board can be tilted out at the top to allow access to the thermostat terminals on the control board. Use the two female spade terminals (supplied) to make the connection.

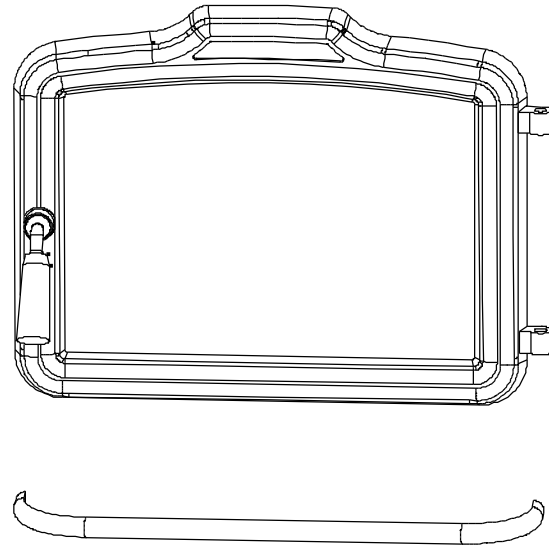
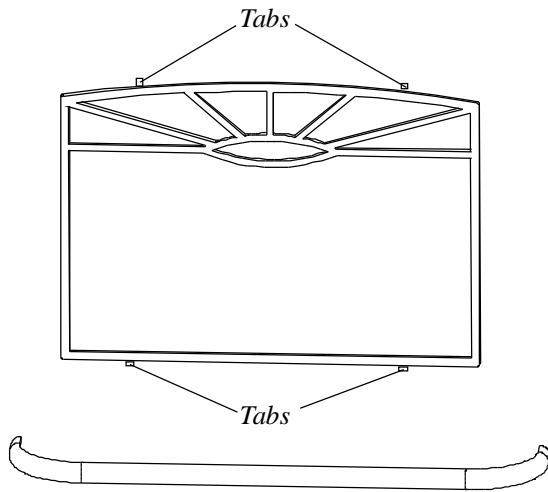
Low Draft Adjustment (cold stove only)

This adjustment should only be made by an authorized Harman dealer using a draft meter to check results. The Low Draft Adjustment is set at the factory in the minimum position. This setting should give the proper draft with 118 V.A.C. 60 Hz or higher.

To check the low draft, turn the feed rate dial to "1" and allow one minute before taking a draft reading. If the draft is too low (below .15), **Disconnect the power** and turn the trim pot on back of the control board clockwise slightly to increase draft. Reconnect power and wait one minute before rechecking draft. Repeat until .15 to .18 draft reading is reached.

Warning

**Always disconnect power
before touching control board**



"Sunrise" Gold Trim

This kit includes a gold trim piece for the ash lip and a gold Sunrise piece for the door.

Referring to the diagram, page 4, note how the various components of the door system fit together. Lay the load door face down on a soft surface.

Clean the glass thoroughly using a nonabrasive glass cleaner. Install the glass gasket around the outer edge of the front face of the door glass carefully to insure proper sealing.

Note: There are 4 tabs on the Sunrise. These tabs have a step on the front side and are flush on the back side. Place the "Sunrise" in the door so the step side is to the front.

Set the glass pane gently onto the door. Install the hold-down clips and tighten with bolts as shown on page 5.

To install ash lip trim, simply slide the trim over the ash lip and into the groove on the trim.

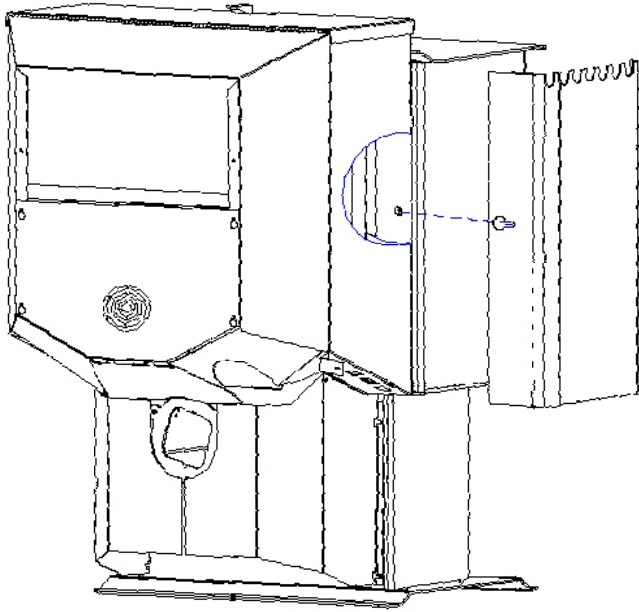
Gold Door

The gold door is assembled and installed the same as the standard door. Refer to page 4. Be careful not to scratch the glass and be sure to clean the gold before starting a fire in the stove.

To install ash lip trim, simply slide the trim over the ash lip and into the groove on the trim.

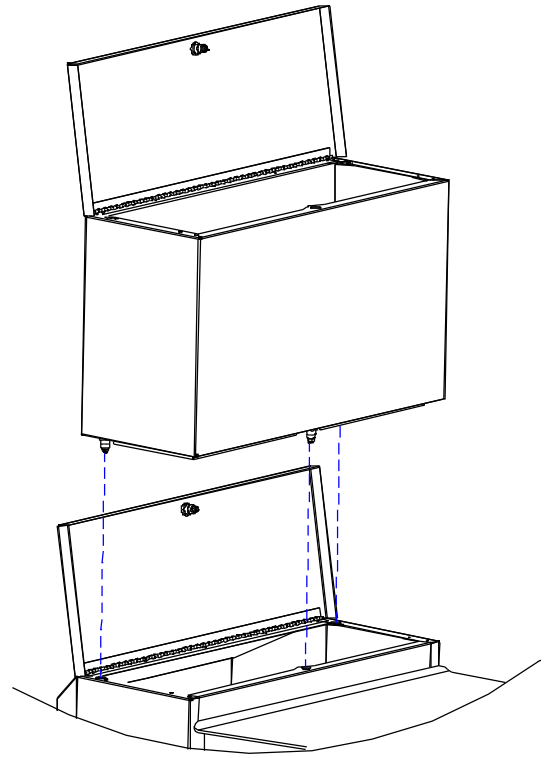
Cleaning Gold

The gold plated door and gold Sunrise should never be buffed or polished. Abrasive cleansers and metal polishes will remove the plating and therefore should never be used. If the gold needs to be cleaned, wait until the stove is completely cool, then use a sponge, soap and water to gently remove dirt and stains. Before relighting the stove, remove all soap residue and wipe dry.



Side Heat Shields

Side heat shields are available to reduce the clearance to combustible materials.



Hopper Extension

The hopper extension allows you to put more pellet fuel in the hopper and extends burn time on one load of pellets. The hopper extension adds 50 pounds to the existing 50 pound hopper capacity, allowing you to load 100 pounds of pellets at one time.

HARMAN GOLD WARRANTY
6 YEAR TRANSFERABLE LIMITED
WARRANTY (Residential)
1 YEAR LIMITED WARRANTY (Commercial)



Harman Stove Company warrants its products to be free from defects in material or workmanship, in normal use and service, for a period of 6 years from the date of sales invoice and for mechanical and electrical failures, in normal use and service, for a period of 3 years from the date of sales invoice.

If defective in material or workmanship, during the warranty period, Harman Stove Company will, at its option, repair or replace the product as described below.

The warranty above constitutes the entire warranty with respect to Harman Stove Company products. HARMAN STOVE COMPANY MAKES NO OTHER WARRANTY, EXPRESSED OR IMPLIED, INCLUDING "ANY" WARRANTY OF MERCHANTABILITY OR WARRANTY OF FITNESS FOR A PARTICULAR PURPOSE. No employee, agent, dealer, or other person is authorized to give any warranty on behalf of Harman Stove Company. The warranty does not apply if the product has been altered in anyway after leaving the factory. Harman Stove Company and its agents assume no liability for "resultant damages of any kind" arising from the use of its products. In addition, the manufacturer and its warranty administrator shall be held free and harmless from liability from damage to property related to the operation, proper or improper, of the equipment.

THESE WARRANTIES WHICH EXTEND BEYOND THE DESCRIPTION ON THE FACE HEREOF.

THESE WARRANTIES APPLY ONLY IF THE DEVICE IS INSTALLED AND OPERATED AS RECOMMENDED IN THE USER'S MANUAL.

THESE WARRANTIES WILL NOT APPLY IF ABUSE, ACCIDENT, IMPROPER INSTALLATION, NEGLIGENCE, OR USE BEYOND RATED CAPACITY CAUSES DAMAGE.

HOW TO MAKE A CLAIM - Any claim under this warranty should be made to the dealer from whom this appliance was purchased. Then contact is made with manufacturer, giving the model and serial numbers, the date of purchase, your dealer's name and address, plus a simple explanation of the nature of the defect. Extra costs such as mileage and overtime are not covered. Nuisance calls are not covered by these warranties.

THIS WARRANTY IS LIMITED TO DEFECTIVE PARTS, REPAIR AND/OR REPLACEMENT AT HARMAN STOVE COMPANY'S OPTION AND EXCLUDES ANY INCIDENTAL AND CONSEQUENTIAL DAMAGES CONNECTED THEREWITH.

WARRANTY EXCLUSIONS Failure due, but not limited to, fire, lightning, acts of God, power failures and/or surges, rust, corrosion and venting problems are not covered. Damage and/or repairs including but not limited to; remote controls, filters, fuses, knobs, glass, ceramic brick panels, ceramic fiber afterburners, door packing, tile, ceramic log sets, paint, batteries or battery back-up and related duct work are not covered. Also excluded from this warranty are consumable or normal wear items including but not limited to; flame guides, grates, coalbars, afterburner hoods, fire brick, gaskets. Additional exclusions for corn stoves are bumpout housing weldment, bumpout grate weldment (pellet or corn), bumpout front plate (pellet or corn), bumpout front plate lock, corn auger extension, ceramic insert, and ceramic insert plate. Additional or unusual utility bills incurred due to any malfunction or defect in equipment and the labor cost of gaining access to or removal of a unit that requires special tools or equipment are not covered. Maintenance needed to keep the stove in "good operating condition" is not covered. This includes, but is not limited to, cleaning, adjustment of customer controls and customer education. Labor, materials, expenses and/or equipment needed to comply with law and/or regulations set forth by any governmental agencies are not covered.

This Warranty provides specific legal rights and the consumer may have other rights that vary from state to state.

In the event of change in ownership, the remaining portion of this warranty may be transferred to the new owner by sending the new owner information and a transfer fee of \$25.00 US to the Harman Stove Company.

PLEASE READ THE LITERATURE BY THE MANUFACTURER FOR THE VARIOUS ACCESSORY DEVICES. THE MANUFACTURER WARRANTS THESE ACCESSORY DEVICES, NOT HARMAN STOVE COMPANY OR THEIR WARRANTY ADMINISTRATOR. FURTHERMORE, THESE ACCESSORY DEVICES MUST BE INSTALLED AND USED ACCORDING TO THE RECOMMENDATIONS OF THE MANUFACTURER.

REMEDIES - The remedies set forth herein are exclusive and the liability of seller with respect to any contract or sale or anything done in connection therewith, whether in Contract, in tort, under any warranty, or otherwise, shall not, except as herein expressly provided, exceed the price of the equipment or part of which such liability is based.

CLARIFY - The above represents the complete warranty, which is given in connection with stoves, manufactured by Harman Stove Company. No other comments, verbal or otherwise, shall apply except by a written addendum to this warranty.