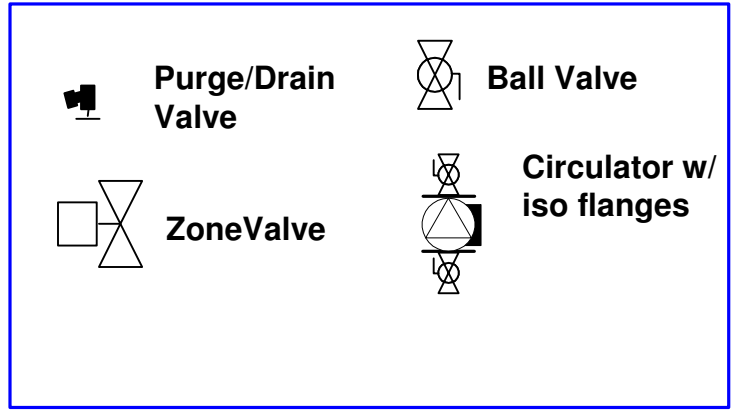
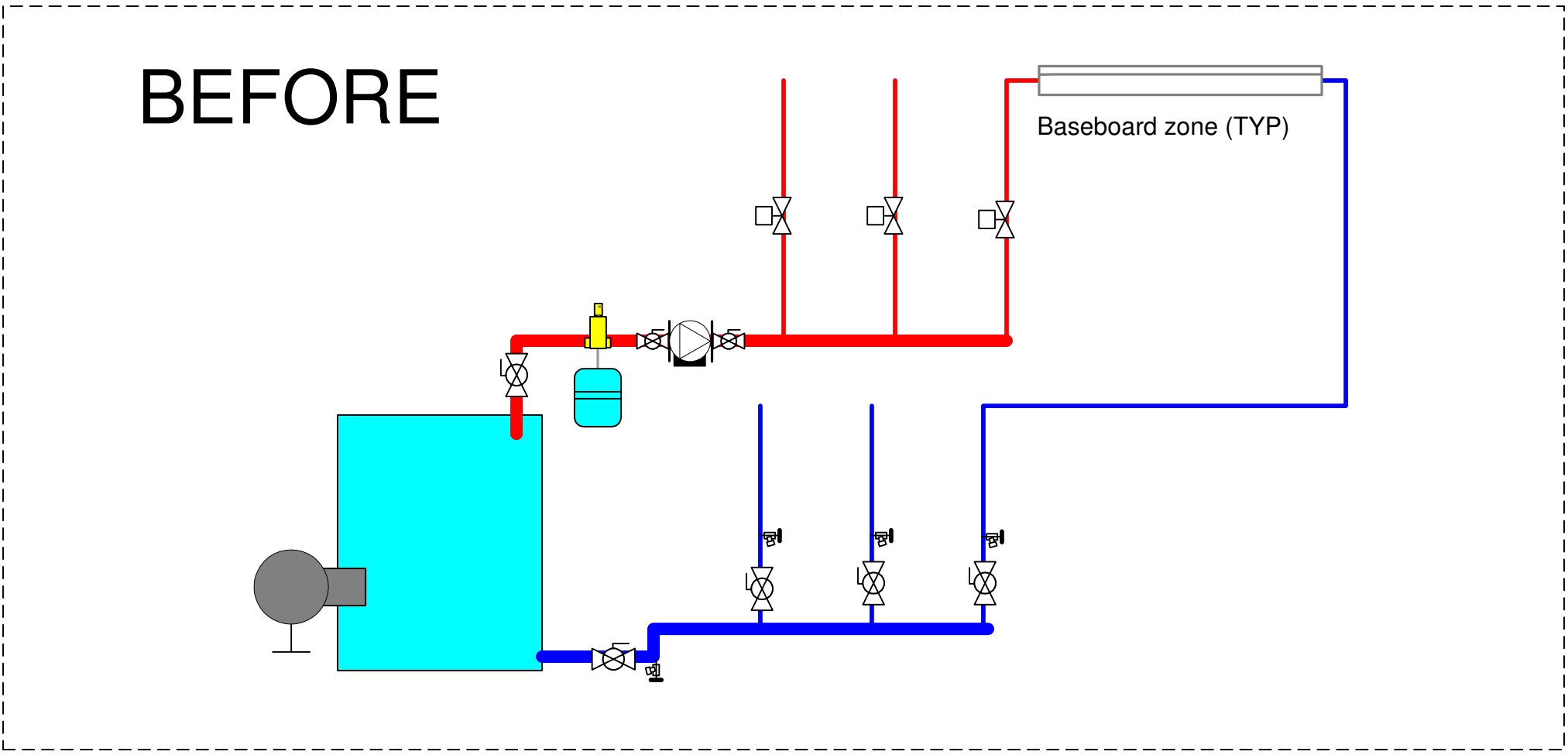
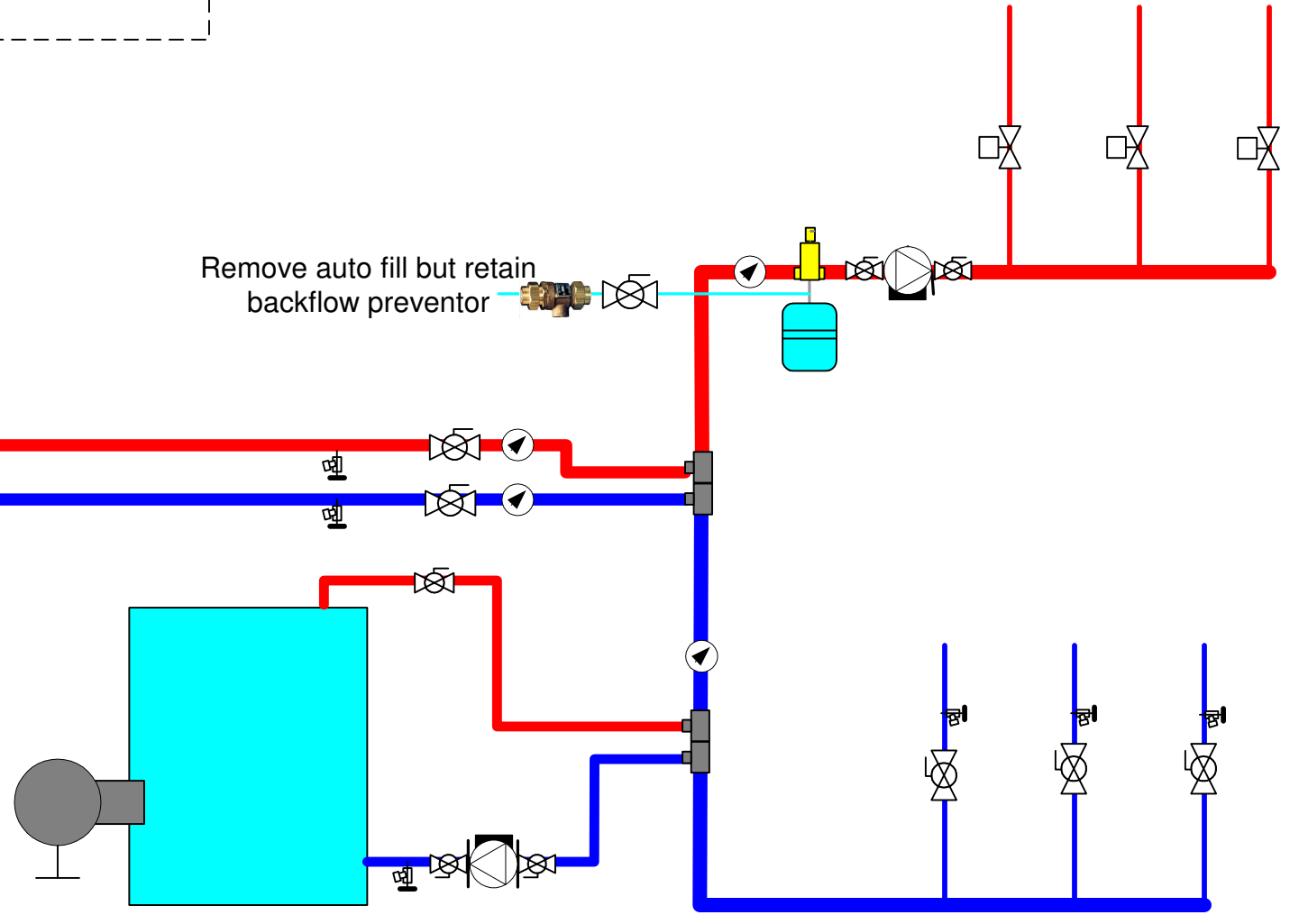
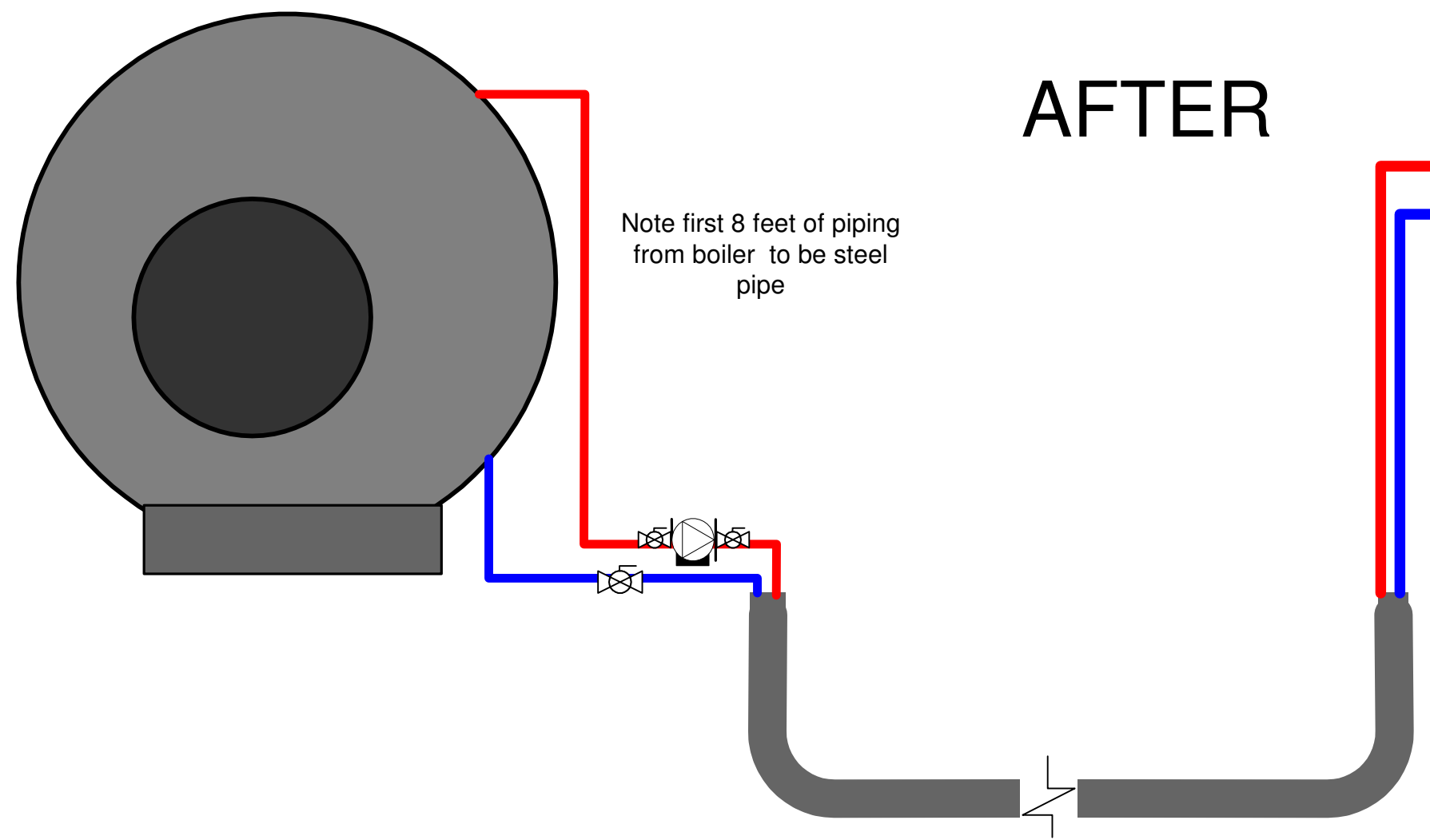


# BEFORE



# AFTER



**Typical GARN piping to zone valve based system without heat exchanger**