

# INSTALLATION

## OUTSIDE FRESH-AIR CONNECTION:

**This Heater must have adequate air for proper combustion in the room that it is installed.**

**A Fresh-air intake is strongly recommended for all installations.** Failure to install intake air may result in improper combustion as well as the unit smoking during power failures.

The inlet to the intake must be below and a minimum of 12" (30cm) away from the unit exhaust outlet.

**Outside fresh air is mandatory when installing this unit in airtight homes and mobile homes.**

When connecting to an outside fresh air source, do not use plastic or combustible pipe. A 3" minimum (76 mm) ID (inside diameter) steel, aluminum or copper pipe or ducting should be used. The inlet must have a screen installed. It is recommended, when you are installing a fresh air system, to keep the number of bends in the pipe to a minimum.

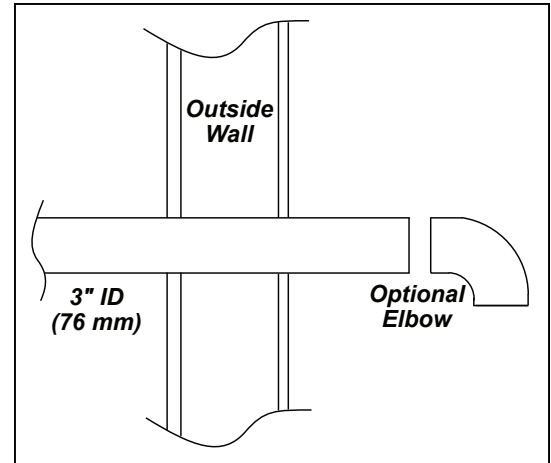


Figure 7: Outside Air Connection.

## EXHAUST AND FRESH AIR INTAKE LOCATIONS:

**This unit uses a 4" exhaust vent.**

### EXHAUST:

Base of unit to center of flue  
15½" (392 mm)  
Center of unit to center of flue  
6¾" (162 mm)

### FRESH AIR INTAKE.

Base of unit to center of intake  
12" (305 mm)  
Center of unit to center of intake  
4⅞" (126 mm)

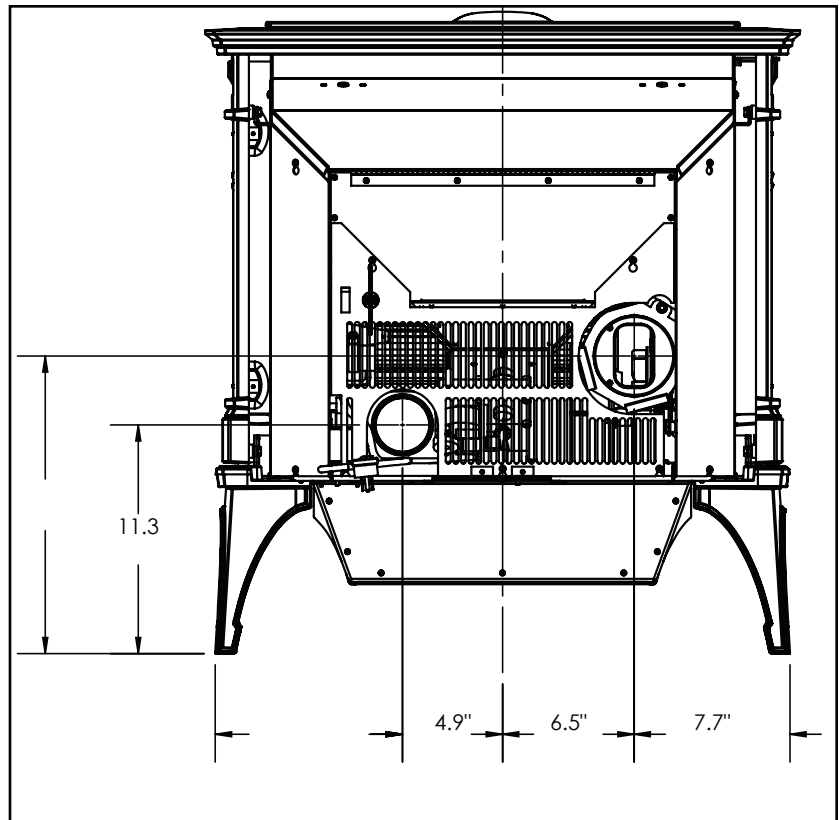


Figure 8: GC60 Inlet and Outlet Location.