

# GARN® JR

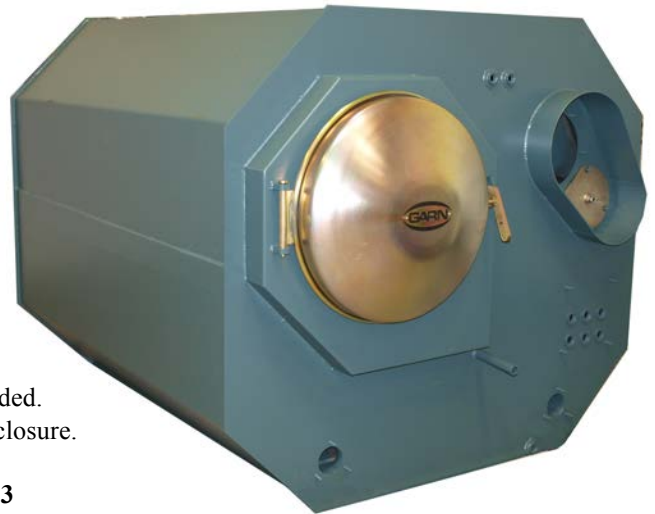
The **GARN JR** (GARN Junior) is the latest unit in the very successful GARN WHS wood heating product line. It was developed specifically for the average rural residential customer. As is the case with all prior GARN WHS units, the GARN JR units may be easily connected to forced air, hot water baseboard, European flat panel radiator and hydronic radiant floor heating systems. A 36 KW off peak electric back up is available as an option. It may be used as the thermal storage for drain back active solar thermal systems.

## EACH GARN JR UNIT INCLUDES:

- New smaller size and angular shape: L = 88", W = 67" and H = 65"
- Nominal 1000 gallons of integral energy storage.
- A firebox with firebrick that can accommodate 24" long cordwood.
- Induced draft combustion with horizontal cylindrical ceramic reaction chamber.
- Single tube 5 pass heat exchanger.
- A new bolt down manway cover.
- The GARN digital controller with LWCO and temp sensors.
- Optional 33 KW off peak electric back up.

## PERFORMANCE

- Efficiency with 20% MC oak = 80%
- Burn rate = 225,000 BTUH with 20% MC oak (vs 350,000 BTUH for the WHS 1500)
- Storage based on 65 deg F delta = 540,000 BTUs which can supply about 65,000 BTUH for 8 hours.



## INSTALLATION

- Installation by qualified professionals is recommended.
- Unit to be insulated on site within weatherproof enclosure.
- Uses DurTech 6" class A SS flue
- **GARN JR** will be available beginning **August 2013**

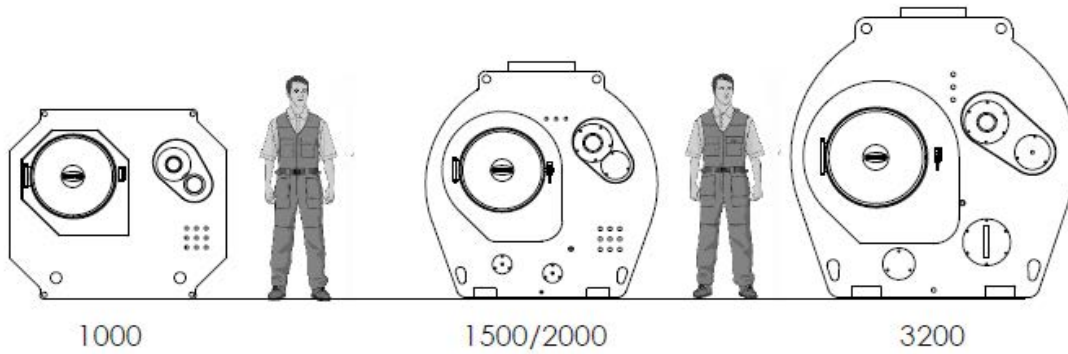
## PLEASE NOTE:

1. All capacities listed above are rounded to the nearest whole number. The performance listed *will* vary based upon wood species, wood moisture content and minimum supply water temperature required by the heat distribution system, pipe losses, etc.
2. **GARN JR** is non-pressurized for safety and carry a 5 year limited **GARNtee** from date of manufacture.
3. Price does **not** include: water treatment chemical, flue, installation, system pump, system piping, system design, etc.
4. Prices are FOB factory in Minneapolis, MN. Shipping and accessories are not included in the price listed.
5. Terms are cash; refer to Purchase Contract and Agreement for specifics. Due to continued product improvement prices, specifications and performance are subject to change without notice.

**SUGGESTED LIST PRICE:**

**\$10,995.00 US**

Below is a graphic indicating the relative size of GARN WHS units:



Below are the dimensions of the GARN WHS 1000 (GARN JR) unit

