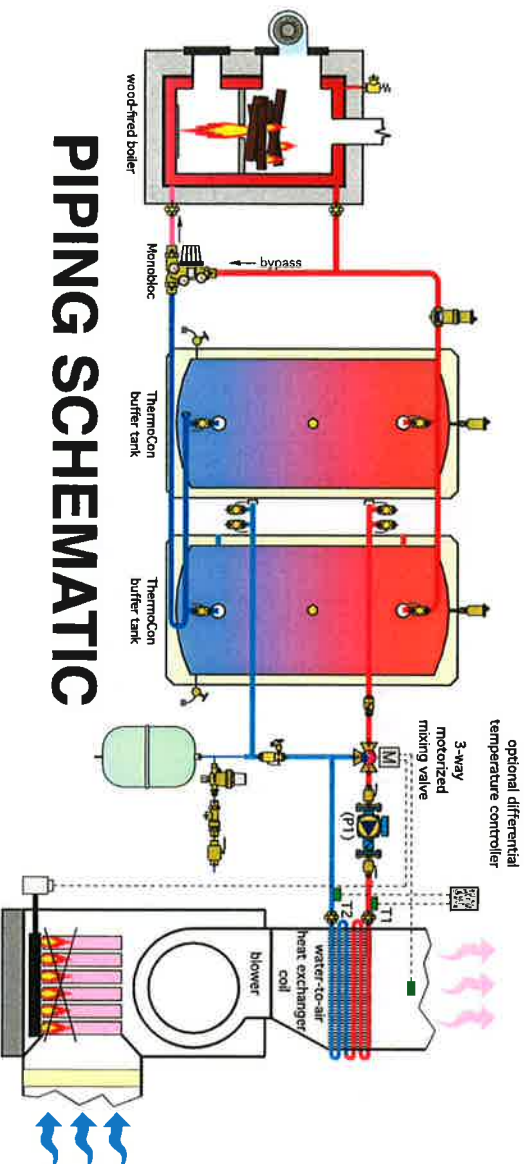
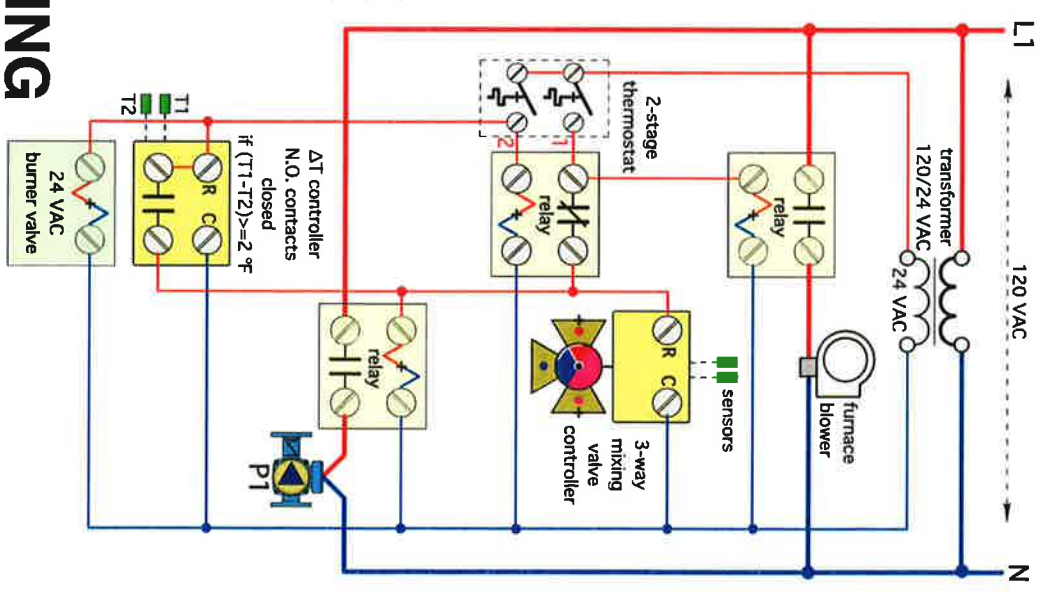


# System using forced air furnace

- space heating only
- $\Delta T$  logic to operate storage to lowest temperature
- dual parallel-piped thermal storage tanks
- Could add instantaneous DHW assembly
- 2-stage thermostat



## PIPING SCHEMATIC



## WIRING SCHEMATIC

Please, refer back to the PDF file for this session, and “walk” your way through this control schematic

# System using forced air furnace

- space heating only
- $\Delta T$  logic to operate storage to lowest temperature
- dual parallel-piped thermal storage tanks
- Could add instantaneous DHW assembly

