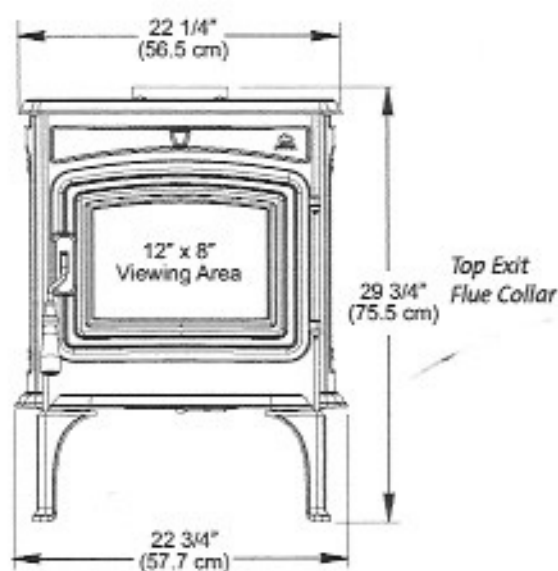
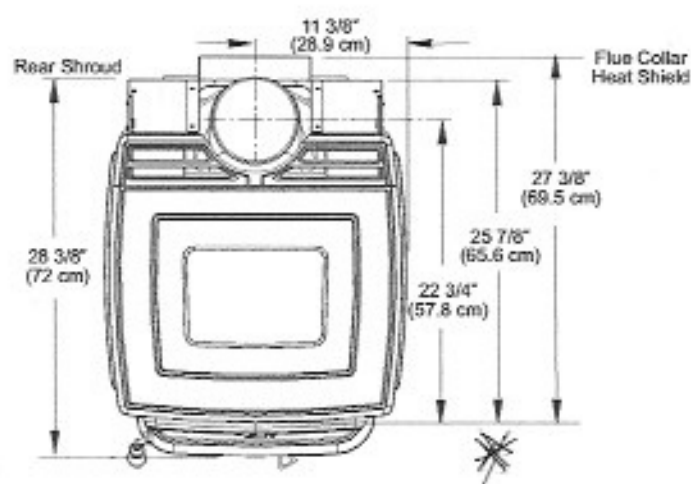


1.0 Installation

If this solid fuel room heater is not properly installed, a house fire may result. For your safety, follow the installation directions. Contact the local building or fire officials about restrictions and installation inspection requirements in your area.

Your local officials have final authority in determining if a proposed installation is acceptable. Any requirement by the local authority having jurisdiction that is not specifically addressed in this manual, defaults to NFPA 211, and local codes in the U.S. or in Canada, CAN/CSA-B365-M and local codes.

41



1.1 Unpack the Stove

Inspect the stove for damage. Contact your dealer immediately if any damage is found. Do not install the stove if any damage is evident.

Contents:

- Flue Collar Heat Shield
- Miscellaneous Hardware

NOTE: The integral Rear Shroud acts as a heat shield. There is no accessory rear heat shield.

1.2 Bottom Heat Shield

The installed bottom heat shield is an integral part of the stove and must be used to protect any floor that is not composed of poured concrete on earth. Remove it only to install the optional Outside Air manifold and then reinstall it according to the instructions in Sect. 7.2, page 23.

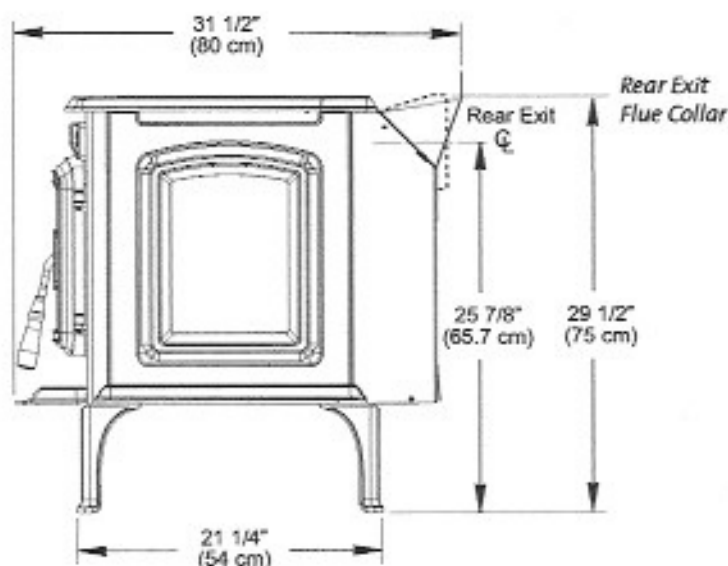
1.3 Short Leg Installation

NOTE! Install the optional Outside Air Kit and Blower Kit BEFORE the short legs. Follow the instructions provided with those kits. See fig. 26, page 23.

1.4 Leg Levellers

Two M8 x 40 mm leg leveller screws are included in the hardware bag. Install the Leg Leveller Screws into the appropriate legs BEFORE locating the stove in the final position. See fig. 27, page 24.

Use Short Leg Kit #157636 to reduce stove height by 3 1/4". Hearthmount installation only.



4.0 Clearance to Combustibles

4.1 Floor Protection

The Bottom Heat Shield must remain on the stove unless the stove is installed on concrete poured on earth.

The Jøtul F 45 V2 also requires one of the following forms of hearth protection if not installed directly on concrete poured on earth:

- 1) Any UL/ULC Type I, Type II, or Warnock Hersey Listed hearth board.
- 2) Any non-combustible material.

IN THE U.S.: Floor protection must extend continuously forward from the door opening at least 16 in. and 8 in. from the sides of the door opening. Protection must also extend 2 in. from the rear and 2" to the sides under any horizontal chimney connector. This will result in a minimum floor protector measuring 27" wide x 44" deep. See fig.9.

IN CANADA: Floor protection must extend continuously 18" from the front of the stove and 8 in. (460mm) from the sides and rear. It must also extend 2 in. (51 mm) under any horizontal chimney connector. This results in a floor protector dimension of 39 in. x 52 in. (99 cm x 52 cm) See fig.10.

4.2 Alternate Floor Protection

All floor protection materials must be non-combustible (i.e., metals, brick, stone, mineral fiber boards, etc.). Any organic materials (i.e., plastics, wood, paper products, etc.) are combustible and must not be used. The floor protector specified may include some form of thermal designation such as R-value (thermal resistance), k-factor (thermal conductivity), or C-factor (thermal conductance).

See 7.5 Appendix on page 24 for the procedure to determine alternate floor protection materials that meet the thermal requirements for this stove.

4.3 Clearances to Walls and Ceilings

The clearances listed and diagramed in this manual have been tested to UL and ULC standards and are the minimum clearances to combustible materials specifically established for the Jøtul F 45 V2.

A combustible surface is anything that can burn (i.e. sheet rock, wall paper, wood, fabrics etc.). These surfaces are not limited to those that are visible and also include materials that are behind non-combustible materials. If you are not sure of the combustible nature of a material, consult your local fire officials.

Remember: "Fire Resistant" materials are considered combustible; they are difficult to ignite, but will burn. Also "Fire-rated" sheet rock is also considered combustible.

Contact your local building officials about restrictions and installation requirements in your area.

See pages 12-13 for clearance requirements and diagrams.

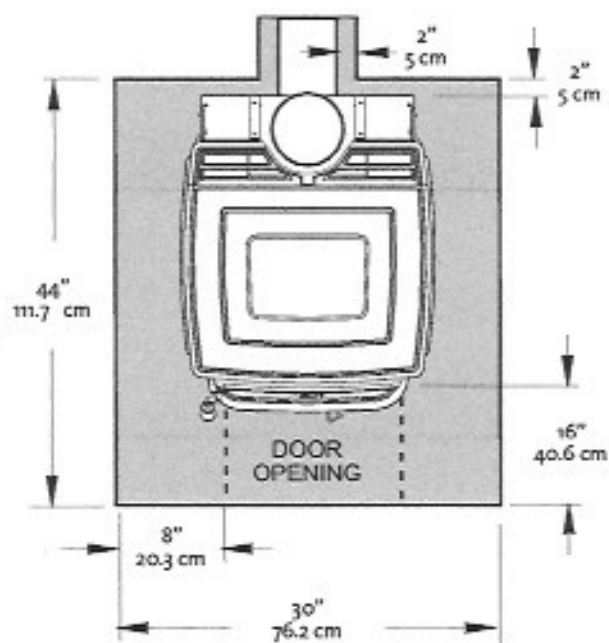


Figure 9. Floor Protection minimum dimensions, U.S.

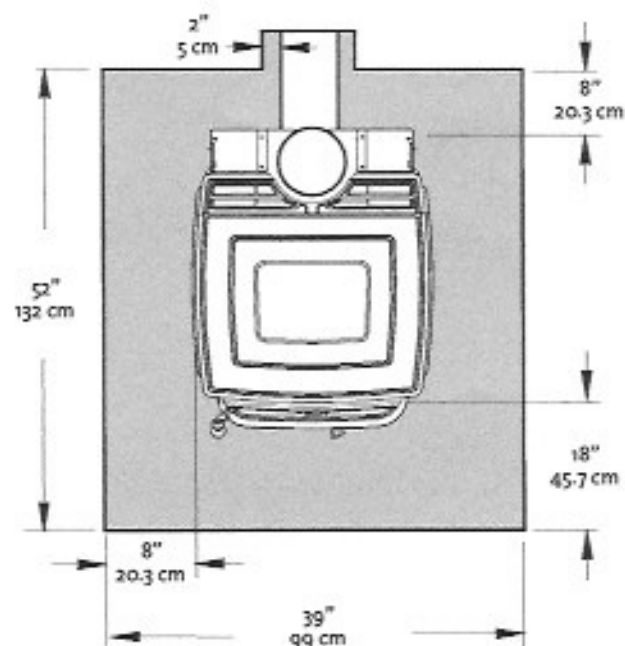


Figure 10. Floor Protection minimum dimensions, Canada.

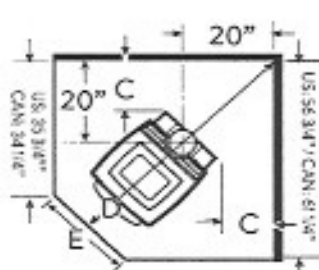
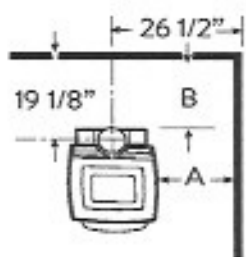
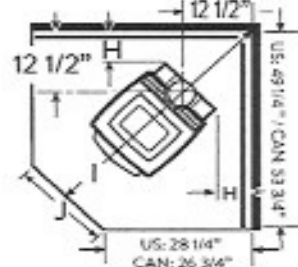
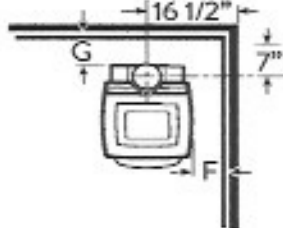
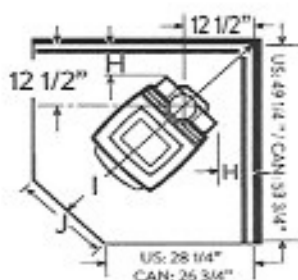
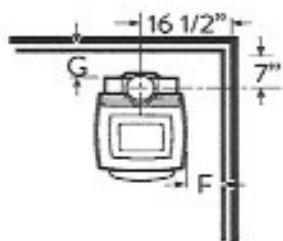
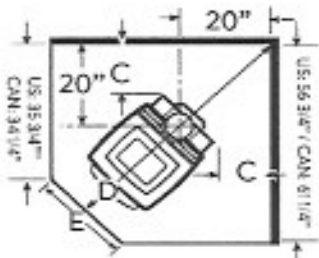
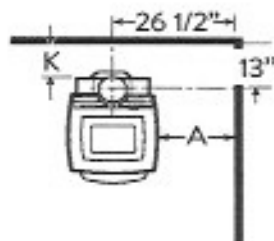
4.7 Jøtul F 45 V2 Greenville Clearance Specifications

	UNPROTECTED WALLS					PROTECTED WALLS PER NFPA211 OR CAN/CSA- B365-M93				
	SIDE	REAR	CORNER	CORNER TO FRONT FLOOR PROTECTION**	FRONT FLOOR PROTECTION WIDTH**	SIDE	REAR	CORNER	CORNER TO FRONT FLOOR PROTECTION**	FRONT FLOOR PROTECTION WIDTH**
Single Wall Connector	A 15"	B 16"	C 13"	D US: 65 1/2" CAN: 67 1/2"	E US: 30 7/8" CAN: 38 1/4"	F 5"	G 4"	H 3.5"	I US: 54 7/8" CAN: 56 7/8"	J US: 30 7/8" CAN: 38 1/4"
Single Wall Connector w/Flue Collar Heat Shield	A 15"	K 10"	C 13"	D US: 65 1/2" CAN: 67 1/2"	E US: 30 7/8" CAN: 38 1/4"	F 5"	G 4"	H 3.5"	I US: 54 7/8" CAN: 56 7/8"	J US: 30 7/8" CAN: 38 1/4"
Double Wall Connector	A 15"	L 6"	C 13"	D US: 65 1/2" CAN: 67 1/2"	E US: 30 7/8" CAN: 38 1/4"	F 5"	G 4"	H 3.5"	I US: 54 7/8" CAN: 56 7/8"	J US: 30 7/8" CAN: 38 1/4"
Double Wall Connector w/Flue Collar Heat Shield	A 15"	L 6"	C 13"	D US: 65 1/2" CAN: 67 1/2"	E US: 30 7/8" CAN: 38 1/4"	F 5"	G 4"	H 3.5"	I US: 54 7/8" CAN: 56 7/8"	J US: 30 7/8" CAN: 38 1/4"

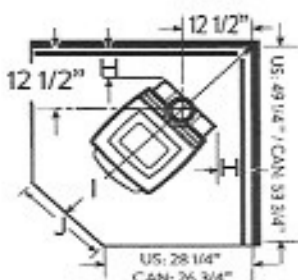
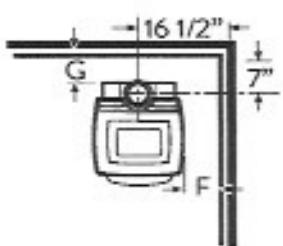
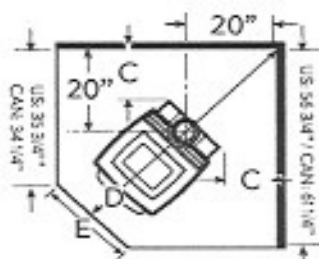
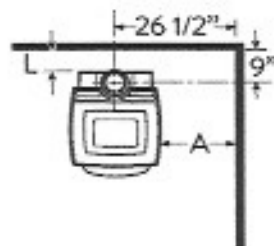
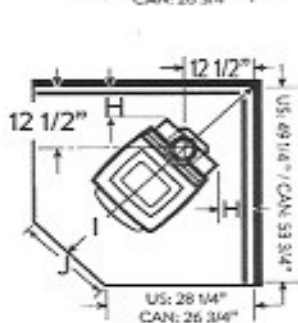
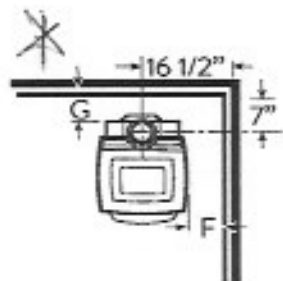
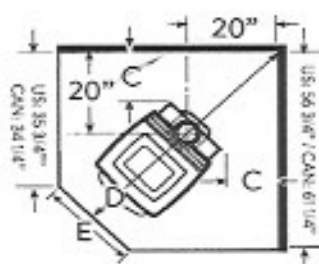
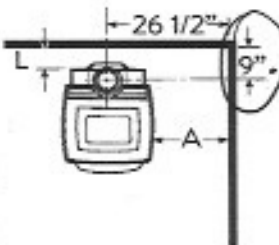
**US and CAN measurements are not the same and are not interchangeable.

UNPROTECTED WALLS

Single Wall Connector

PROTECTED WALLS
PER NFPA 211 OR CAN/CSA-B365-m93Single Wall Connector
with Flue Collar Heat Shield

Double Wall Connector

Double Wall Connector
with Flue Collar Heat Shield

NOTE: Figures are not to scale

Burn Wise

Program of U.S. EPA

This wood-burning appliance meets 2020 U.S. Environmental Protection Agency clean air standards.



Castleton featured in Matte Black.

FINISH OPTIONS:



Matte Black



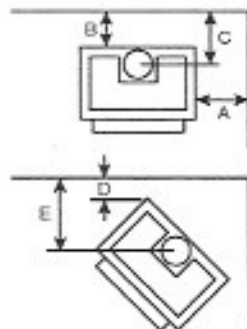
Brown Mayolica Enamel



Seafoam Enamel

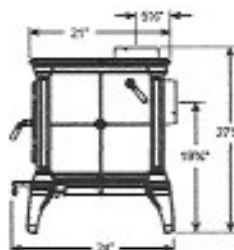
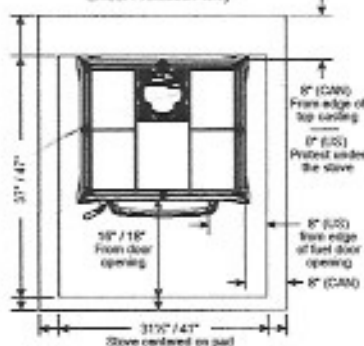


CLEARANCE TO COMBUSTIBLE MATERIALS



	Single-wall connector pipe, no rear heat shield	Double-wall connector pipe*, with rear heat shield
A	17"	17"
B	15"	8"
C	20"	13"
D	8"	8"
E	20.5"	20.5"

Minimum Hearth Protection US/Canada Ember Protection Only



Note: Clearance measurements refer to the top of the stove.

* Connector pipe clearances may vary. Refer to manufacturer's specifications.

Note: Always refer to the HearthStone Owner's Manual and the local Authority Having Jurisdiction in your area for the specific installation requirements for your product.

CASTLETON 8031 TruHybrid™

- **TruHybrid™ Combustion System**
Clean burning, uber-efficient, burn times up to 20 hours.
- **Single Lever Air Control**
Easy operation, consistent performance
- **Easy Catalyst Control Handle**
Open side lever for smokeless startups, close for long, efficient fires
- **Durable Construction**
1 1/4" soapstone with iron protectors ensure a lifetime of trouble free service
- **Top Or Rear Flue Exit**
Flexible installation, free standing or hearth configuration with a cooking plate

SPECIFICATIONS

Burn Time	20+ hrs
EPA Certified	0.69 g/hr
Heats up to	1,500 sq ft
Firebox Capacity	1.9 cu ft
BTU	Up to 45,000
Efficiency	83% LHV, 77% HHV
Maximum Log Length	18"
Flue Exit & Diameter	Top or Rear - 6"
Ash Pan	n/a
Actual Weight	464 lbs.
Above Certified	Yes
Mobile Home Certified	Yes

ACCESSORIES

Rear Heat Shield	90-68300
Convection Blower	90-57210
Outside Air Adapter	90-53300
Spark Screen	90-69300