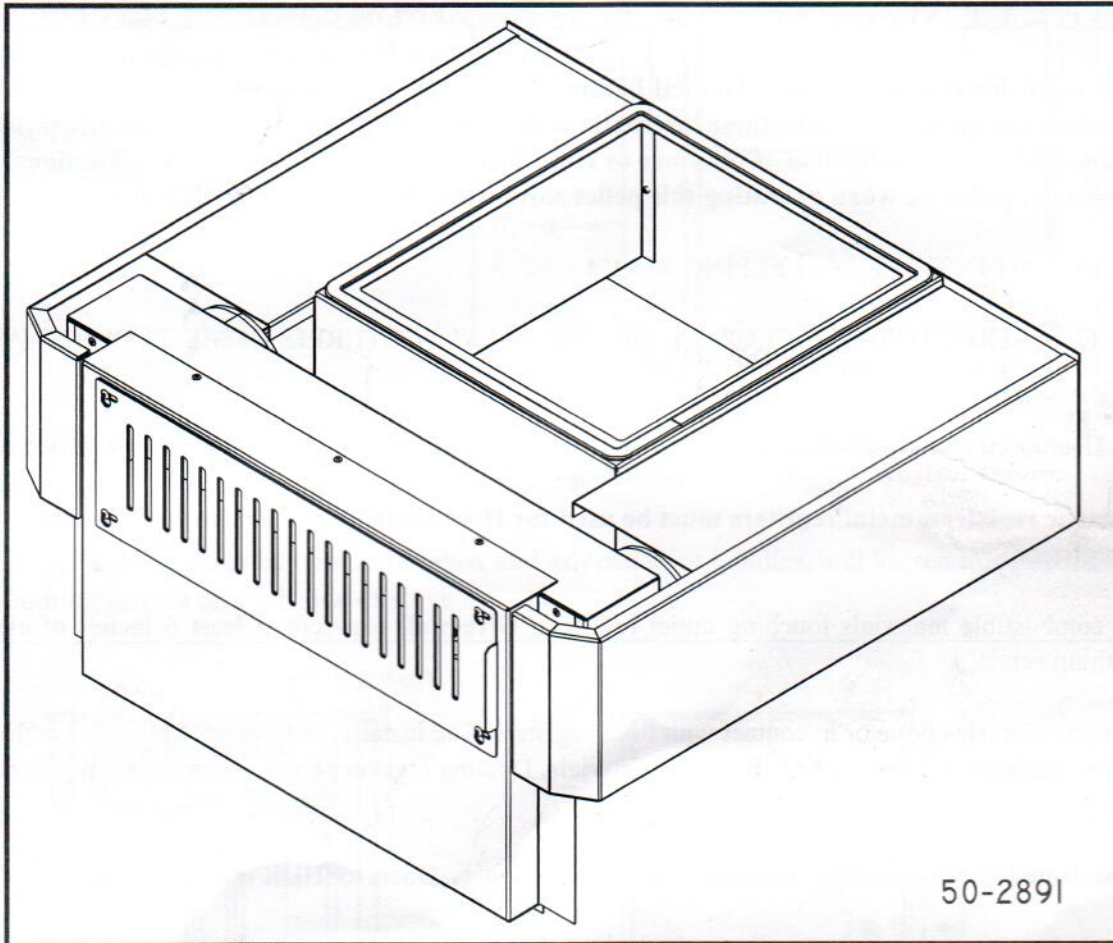


PLEASE SAVE THESE INSTRUCTIONS FOR FUTURE REFERENCE.

# Enviro Maxx-1

## Heat Distribution Kit

### INSTALLATION MANUAL



**Intertek**

PLEASE READ THIS ENTIRE MANUAL BEFORE INSTALLATION AND USE OF THIS PELLET-BURNING ROOM HEATER. FAILURE TO FOLLOW THESE INSTRUCTIONS COULD RESULT IN PROPERTY DAMAGE, BODILY INJURY OR EVEN DEATH.

CONTACT YOUR LOCAL BUILDING OR FIRE OFFICIALS ABOUT RESTRICTIONS AND INSTALLATION INSPECTION REQUIREMENTS IN YOUR AREA.

## TABLE OF CONTENTS

---

|                                        |    |
|----------------------------------------|----|
| Safety Warnings & Recommendations..... | 2  |
| Installation.....                      | 3  |
| Heat Distribution Kit.....             | 3  |
| Ducting Specifications.....            | 8  |
| Wiring .....                           | 9  |
| Wiring Diagram.....                    | 10 |
| Parts List.....                        | 11 |

## SAFETY WARNINGS & RECOMMENDATIONS

---

Please read this entire Technical Manual before installing or operating your Enviro Pellet Stove with Heat Distribution Kit. Failure to follow these instructions may result in property damage, bodily injury or even death. Any unauthorized modification of the stove or Heat Distribution Kit is prohibited. All national and local regulations must be followed when operating this pellet stove with Heat Distribution Kit option.

**WARNING:** DO NOT INSTALL IN SLEEPING ROOM.

**CAUTION:** THE STRUCTURAL INTEGRITY OF THE MANUFACTURED HOME FLOOR, WALL, AND CEILING/ROOF MUST BE MAINTAINED.

**Installation:** Ducting must have 1" clearance to any combustible material when going through a wall or floor.

**Do not use plastic registers, metal registers must be used for Heat Distribution Kit installation.** Do not cover or block outlet registers.

Do not have combustible materials touching outlet registers. Give wall registers at least 6 inches of clearance to furniture, clothing ect.

Do place anything directly above or in contact with floor registers. The installer must use supplied 1/4 inch insulation between register adapters and combustible building materials. Ducting register adapters can not be installed with zero clearance.

Unit can not be ducted into previously existing heating appliance ducts. Ducts for HDK must be installed as per manual.

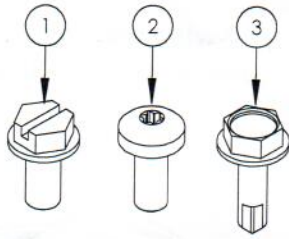
Duct runs should be 20ft or less, output will greatly decline after this length.

**Operation:** Metal registers attached to Heat Distribution Kit ducting must be open during operation.

Do not touch any part of stove or Heat Distribution Kit while stove is running. **Unit is hot during operation. Keep children, clothing and furniture away. Contact may cause skin burns.** After unit is off give at least one hour before touching stove, registers, or refueling.

To access Heat Exchanger cleaning rods remove front grills. Wait until unit is cool to access.

# INSTALLATION INSTRUCTIONS



| 50-2536 Heat Distribution Kit Hardware |                               |      |
|----------------------------------------|-------------------------------|------|
| ITEM NO.                               | DESCRIPTION                   | QTY. |
| 1                                      | #8 X 3/8" Sheet Metal Screw   | 12   |
| 2                                      | #8 X 3/8" T-20 Screw          | 4    |
| 3                                      | #8 X 1/2" Self Drilling Screw | 5    |

1. Remove combustion adjustment slider knob as well as lock collar on left side of unit. Unscrew knob to remove. To remove the lock collar you will need a 3/32 Allen key.

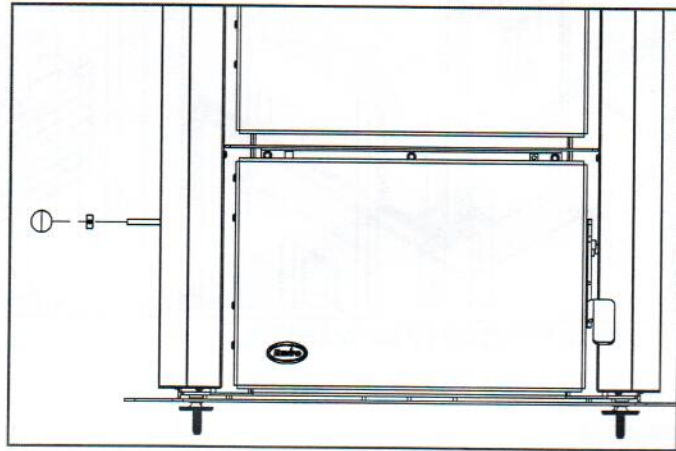


Figure 1: Adjustment knob and lock collar removal.

2. Remove cabinet sides by opening firebox and ash pan door handles, and loosen three #8 T-20 mounting screws on each side of stove.

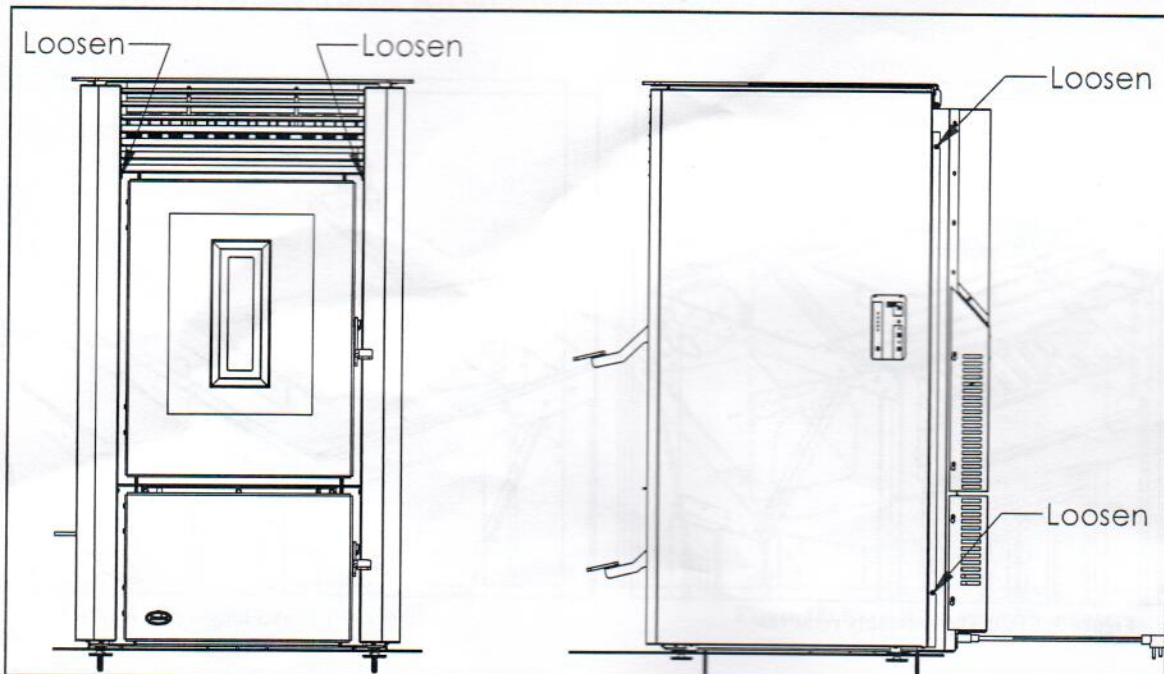


Figure 2: Cabinet side screws.

3. After loosening the screws holding on the cabinet sides, slide sides toward front of stove to remove.
4. Remove Front Grill assembly, four T-20 screws.

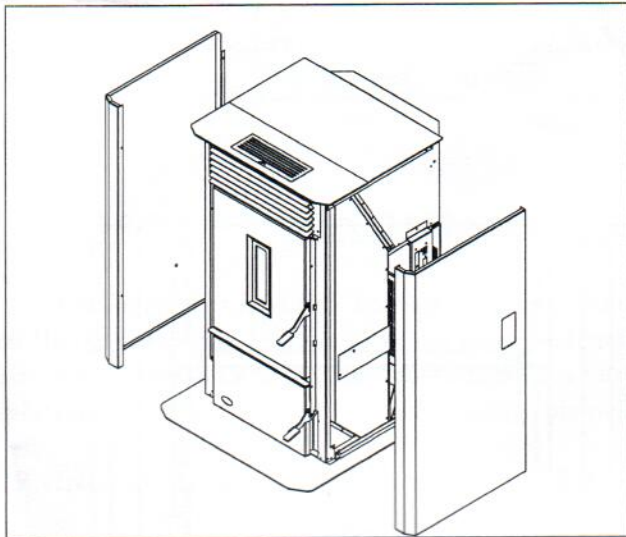


Figure 3: Cabinet sides removal.

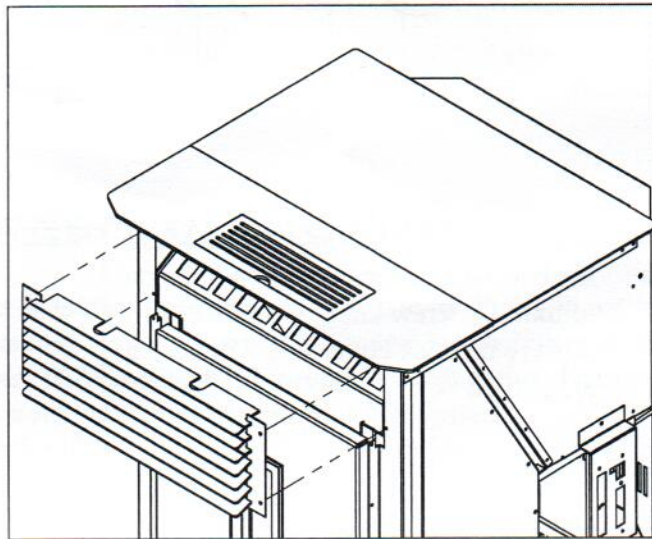


Figure 4: Original front grill removal.

5. Remove Front Top assembly, four screws.
6. Remove four screws that are mounting the lid hinges. This will allow you to remove hinges and lid.

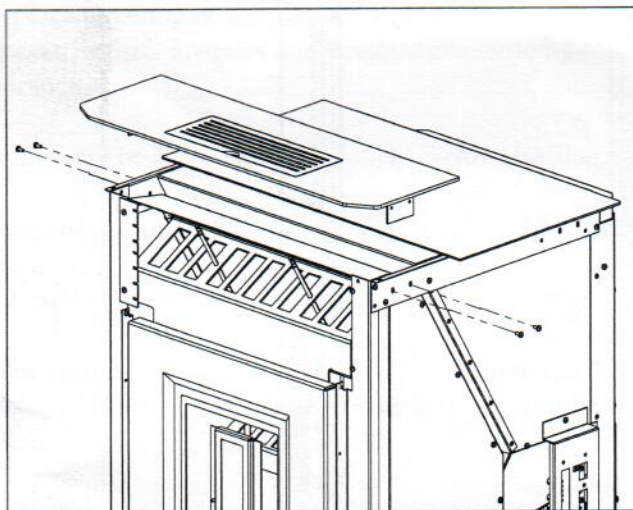


Figure 5: Front Top assembly removal.

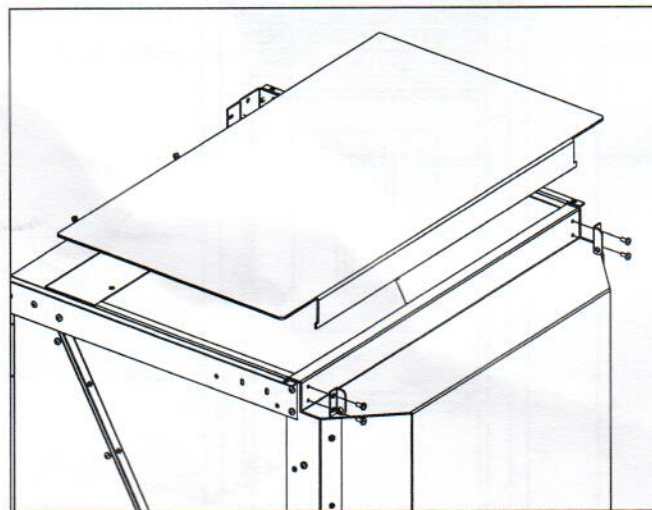


Figure 6: Lid and hinges removal.

7. Remove old lid gasket, a utility knife may be required.
8. Install Front HDK assembly. Assembly should slide downward into place and is secured using two #8 sheet metal screws. Screws thread into top holes where front original grill was mounted.

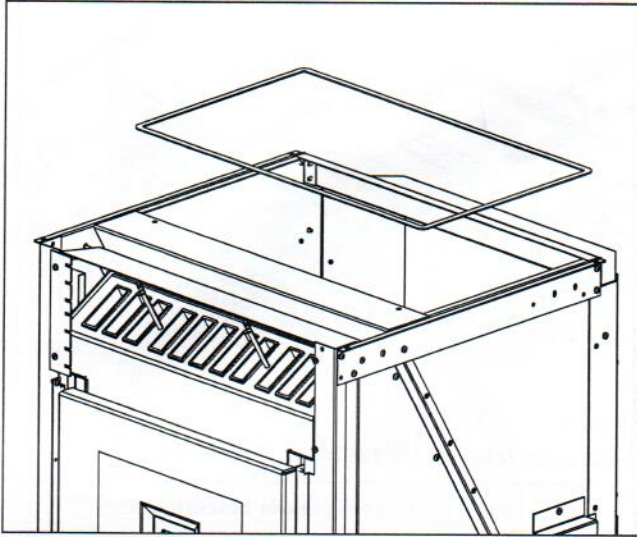


Figure 7: Original lid gasket removal.

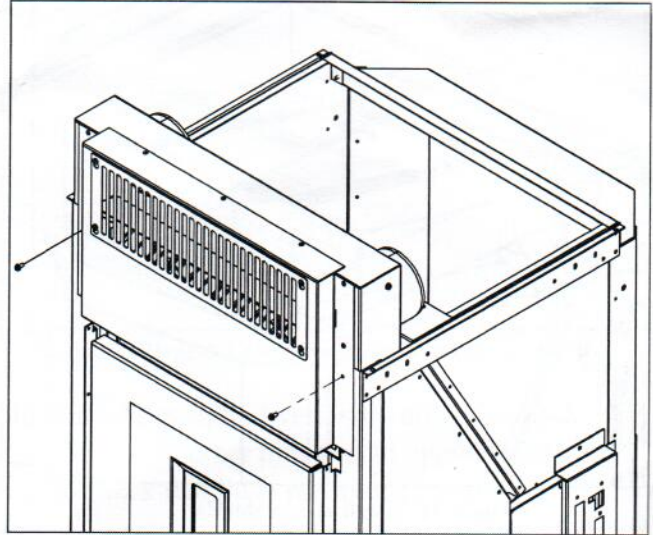


Figure 8: Front HDK assembly install.

9. Install Back HDK assembly, first attach back plate using original hinge screws and existing hinge mount holes.
10. Attach the hopper extension side flanges where the screw clearance holes are cut, line up edge of hopper extension with edge of support rail and use self drilling screws to secure. Attach front flange on hopper extension using self drilling screw.

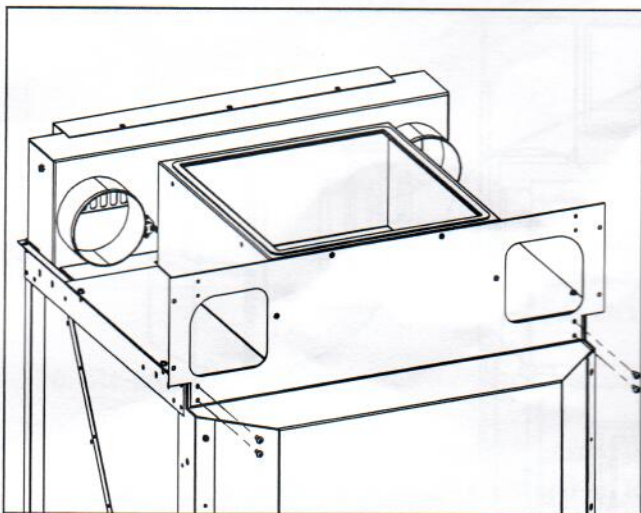


Figure 9: Back HDK assembly install.

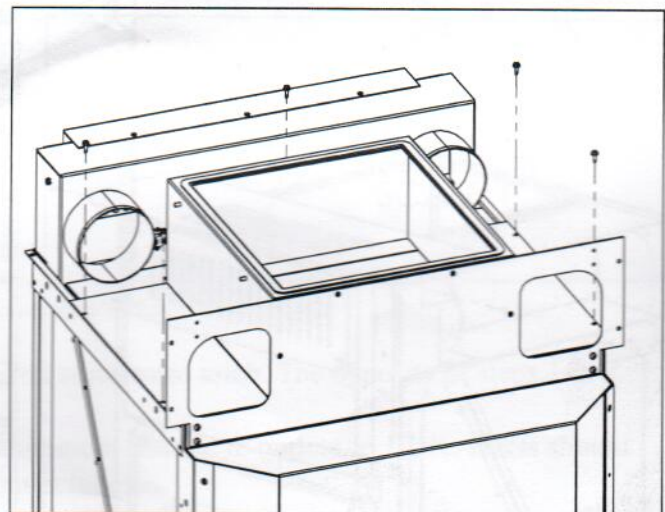


Figure 10: Back HDK assembly secure.

11. Attach the Duct Shields using four provided #8 sheet metal screws.

12. **You should now wire the kit.** Remove Front Grill and Vent to access Sensor bracket and wires, refer to page 10 for wiring instructions.

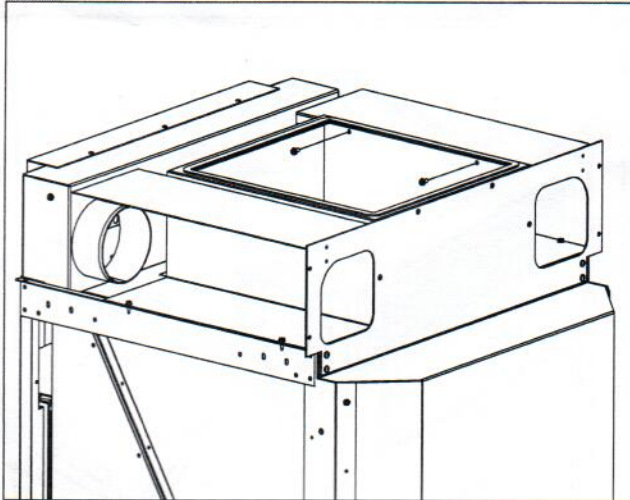


Figure 11: Install of duct shields.

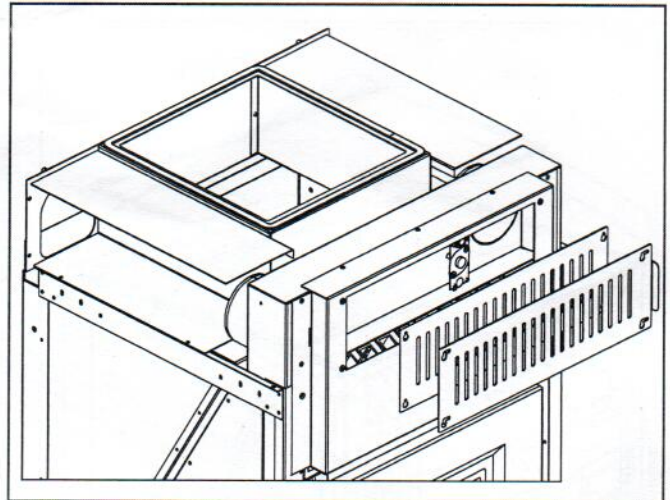


Figure 12: Accessing sensor bracket.

12. Re-install original Front Top assembly with two #8 sheet metal screws. Use front hole on Front top assembly side flanges. These will match up to holes on the sides of the Front HDK assembly.

13. Install Cab Side Extensions, flange on front will slide into slot on Front HDK assembly.

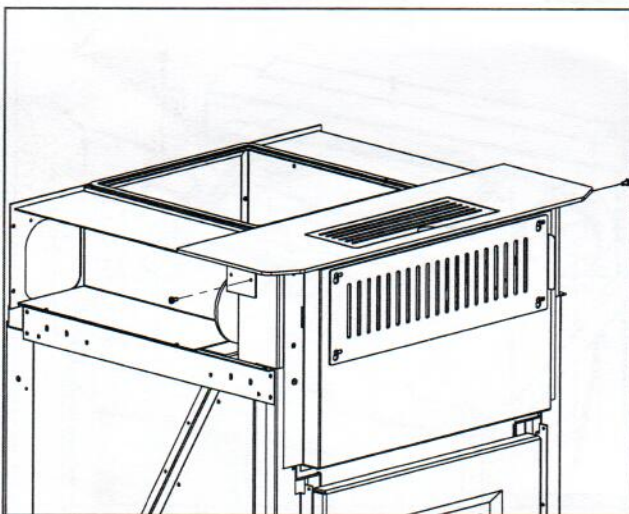


Figure 13: Re-install original front top assembly

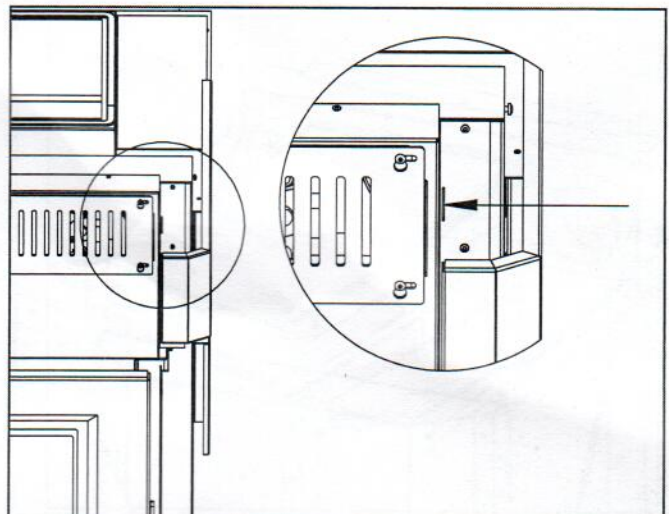


Figure 14: Cabinet side extension install slot.

14. Attach Cab Extensions to back plate using two #8 sheet metal screws on each side. Mount one hinge using #8 T-20 screws.

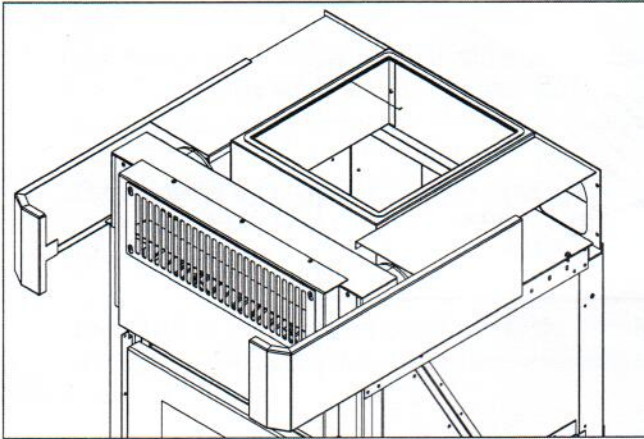


Figure 15: Cabinet side extension install.

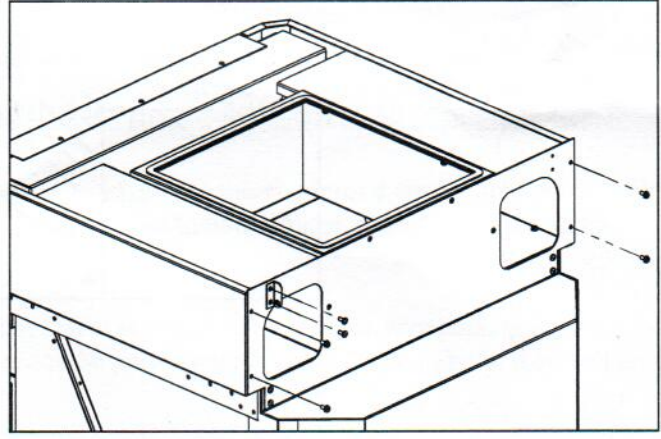


Figure 16: Hinge & Cabinet side extension fastener install.

15. Re-install other hinge and lid. Hinge mounting holes have been shifted vertically up on the back plate. Slide lid pivot in to previously mounted hinge. Next slide other hinge on to opposite lid pivot and secure the hinge. Open and close lid a few times to check that lid is pivoting properly.

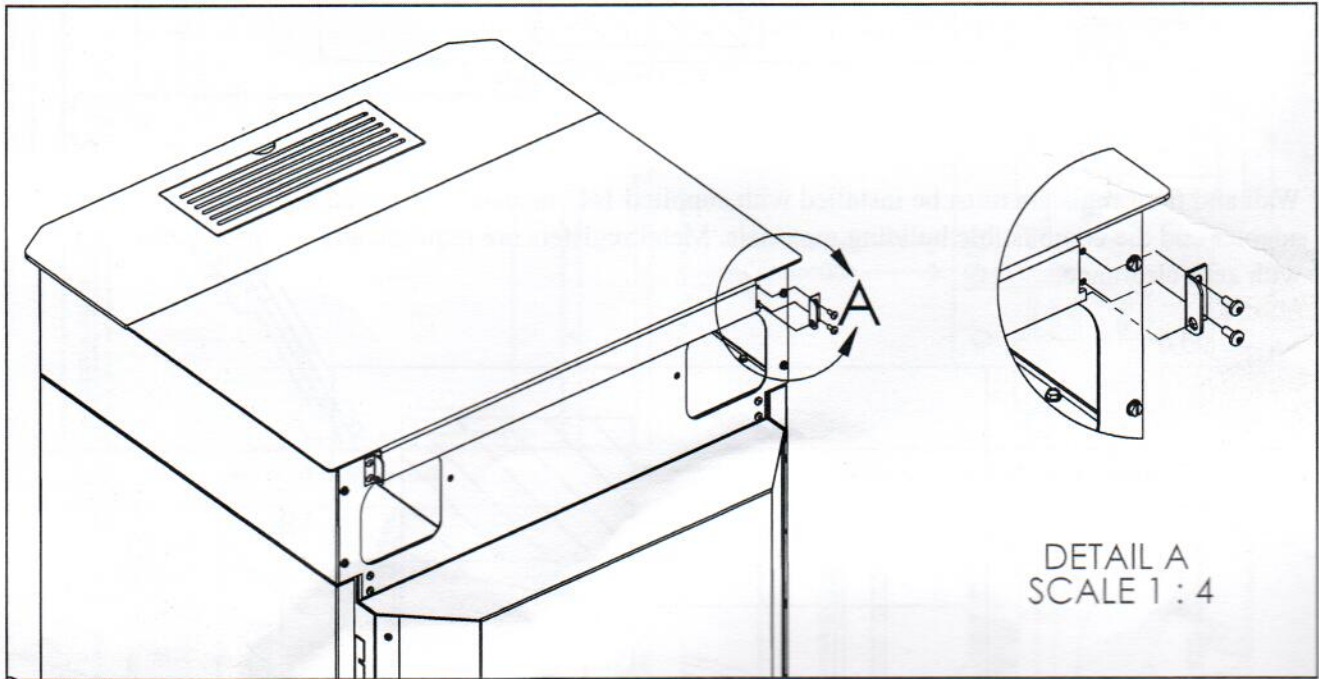


Figure 17: Lid and hinge install.

16. Re-attach the cabinet sides then the lock collar and adjustment knob. The opposite of steps 1 & 2.

17. Attach 4" diameter 20-24 gauge galvanized or aluminum ducting to outlets on HDK. Ducts should slide through holes in the back plate and on to outlet tubes.

18. Install ducting according to clearances stated in the warning section as well as the building and fire code in your local area.

## DUCTING SPECIFICATIONS

Ducting coming from Heat Distribution Kit must have a one inch clearance to any combustible materials when passing through a wall or floor. Duct runs should be less than 20ft for best results.

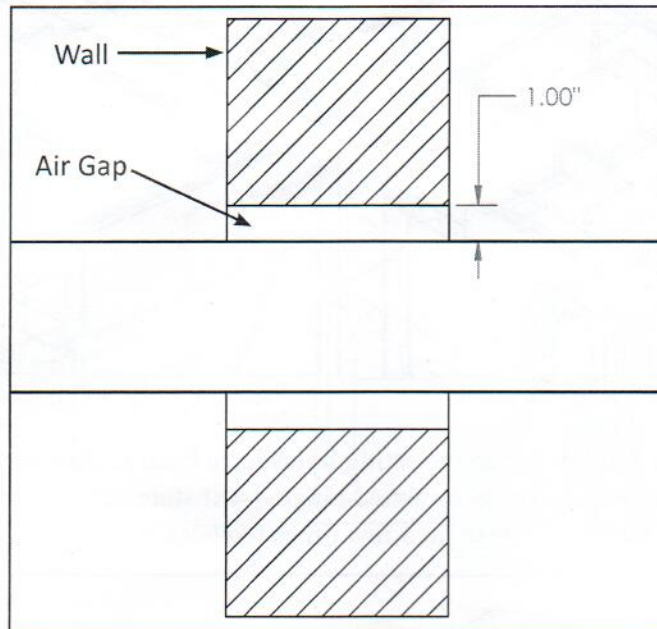


Figure 18: Duct install clearance.

Wall and floor registers must be installed with supplied 1/4" insulation between ducting to register adapter and the combustible building materials. Metal registers are required and can not be installed with zero clearance.

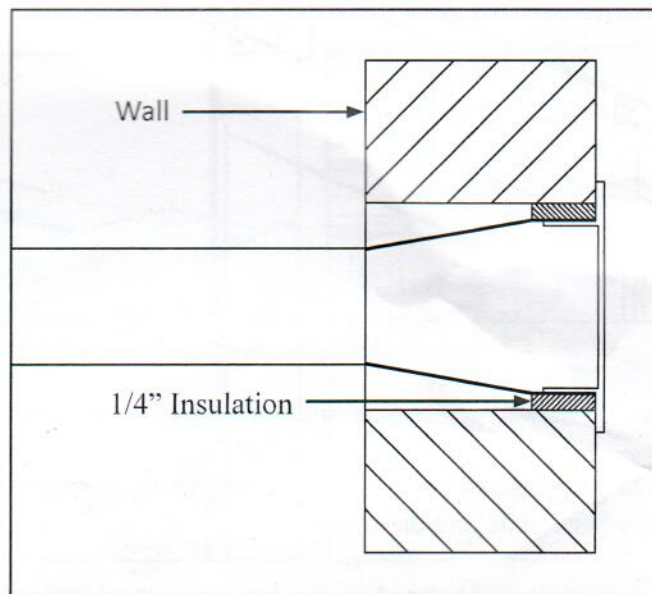


Figure 19: Register install.



## WIRING

### \*DISCONNECT POWER FROM UNIT BEFORE WIRING\*

- With the Front Grill and Vent removed feed the wires inside the front assembly through the opening on the right side shown in Figure 20. Use the supplied screw mount wire ties to secure wires at circled screws.
- The orange wires will be wired inline with the High Limit Switch located at the back of the hopper. Disconnect one of the orange wires already attached to the High Limit, now attach one of the orange wires from the HDK to the wire you just disconnected. The other orange wire from the HDK will connect to the High Limit Switch.
- The red wires from the HDK will have no connectors and will be wired to the Thermostat connection on the back side of the circuit board. The circuit board will need to be detached from the frame, a small flat head screw driver will be required to connect wires, see Figure 21.
- There will be a purple wire coming from the circuit board that is connected to a black wire coming from the fan at the rear of the unit. Disconnect these wires and connect the purple wire from the HDK to both, they will only connect one way.
- Locate where the power cord enters the unit at the back see Figure 23. Disconnect the black wire going to the power cord connection. The Black wire from the HDK will connect to the disconnected wire and the power cord connection. **Note: See page 10 for full wiring diagram.**

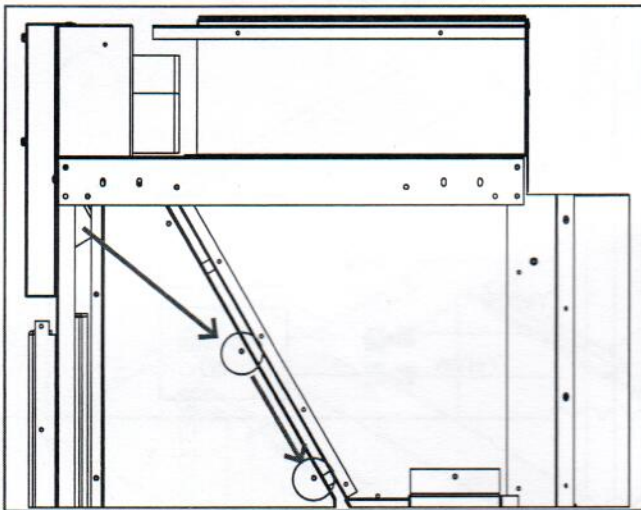


Figure 20: Wiring path

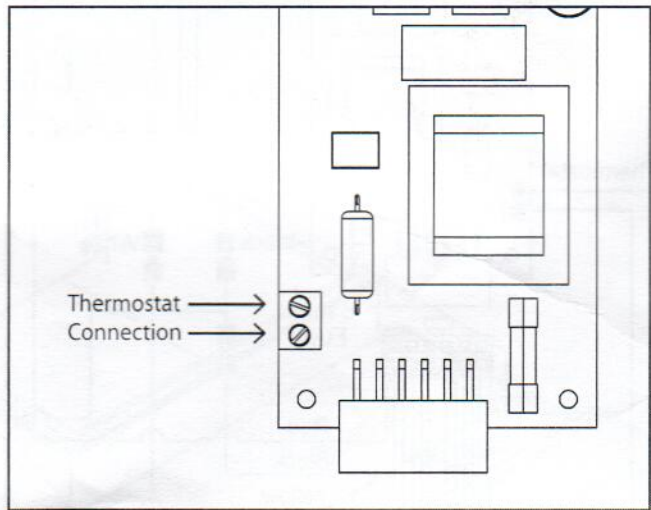


Figure 21: Back of Circuit Board

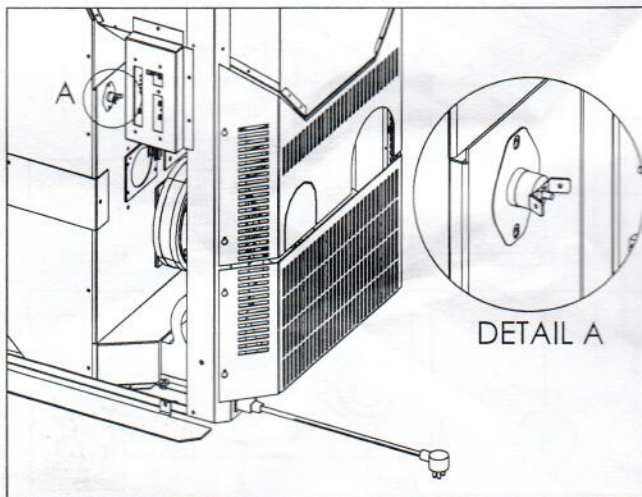


Figure 22: High Limit Switch Detail

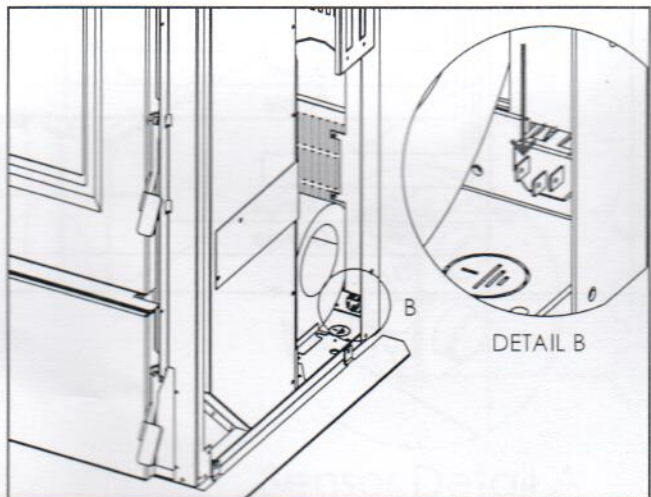
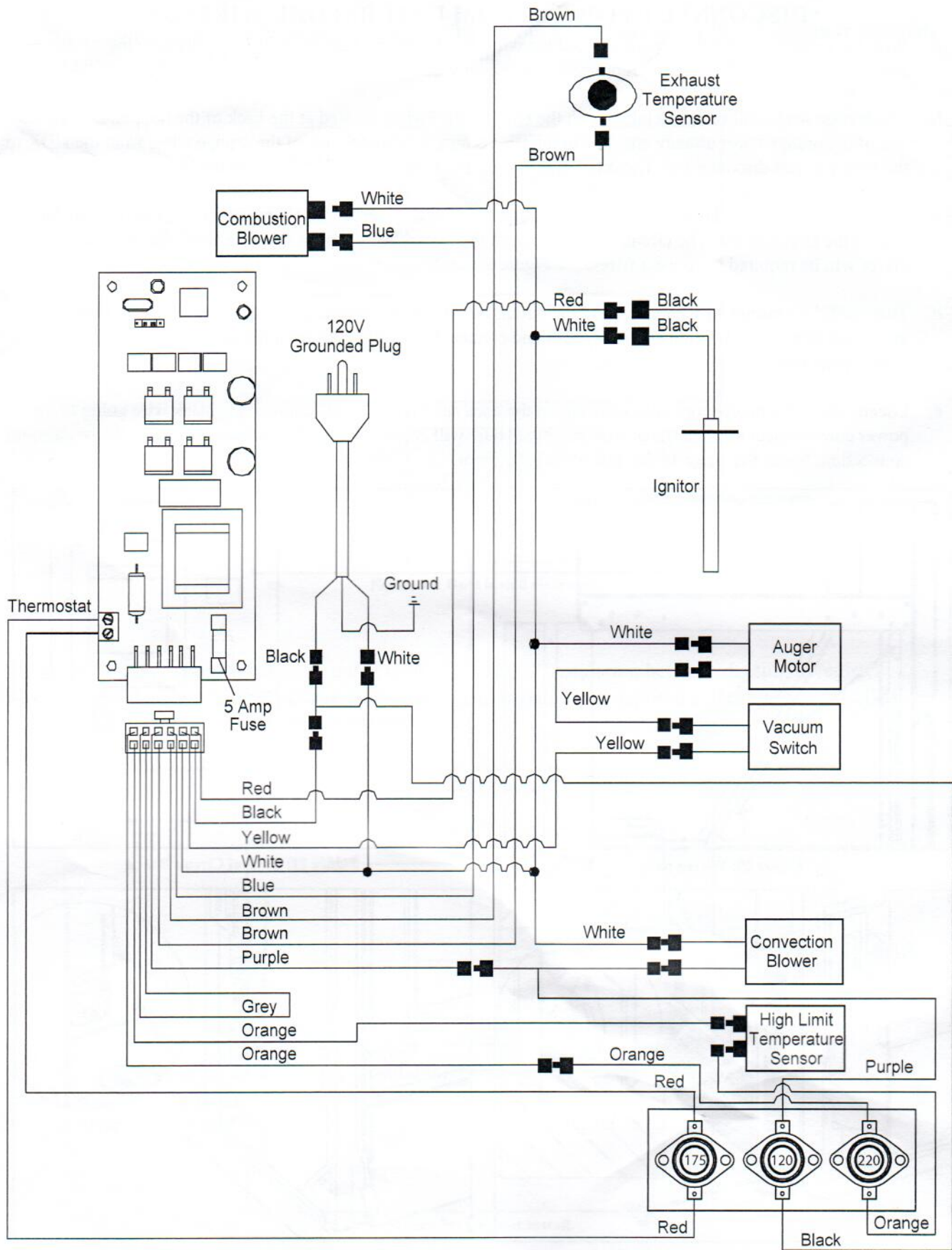


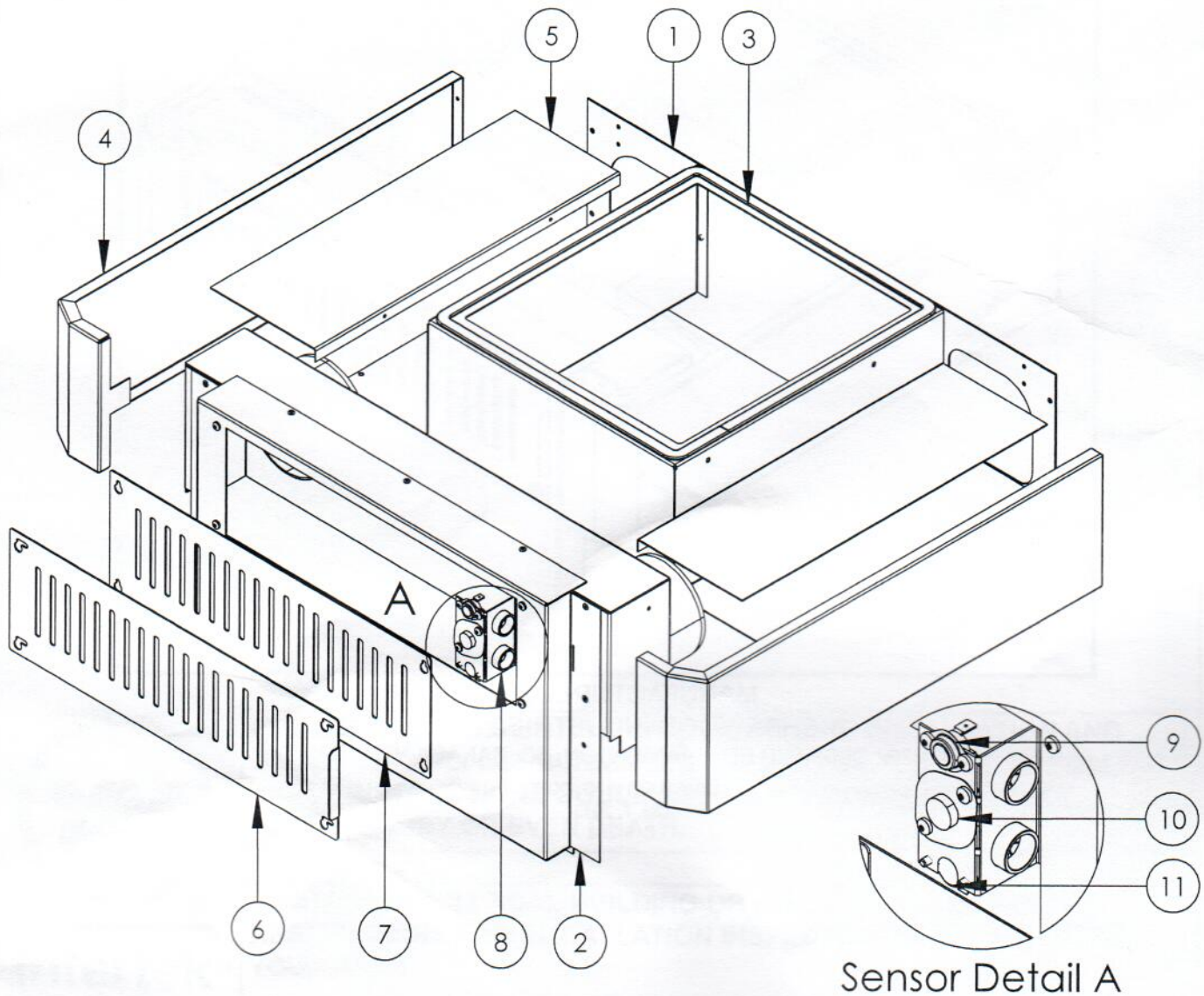
Figure 23: Power Cord Connection Detail

# WIRING DIAGRAM



## PARTS LIST

| Part No. | Description              | Replacement No. |
|----------|--------------------------|-----------------|
| 1        | HDK Back Assembly        |                 |
| 2        | HDK Front Assembly       |                 |
| 3        | Lid Gasket               | EF-208          |
| 4        | Cabinet Side Extention   |                 |
| 5        | Duct Shield              |                 |
| 6        | Slider Grill             | 50-2887         |
| 7        | Grill                    | 50-2886         |
| 8        | Sensor Assembly          |                 |
| 9        | High Limit Sensor (220F) | EC-002          |
| 10       | Fan Sensor (120F)        | EC-001          |
| 11       | Control Sensor (175F)    | 50-2888         |



MANUFACTURED BY:  
SHERWOOD INDUSTRIES LTD.  
6782 OLDFIELD RD. SAANICHTON, BC, CANADA V8M 2A3  
[www.enviro.com](http://www.enviro.com)  
Oct. 7, 2013  
C-14262