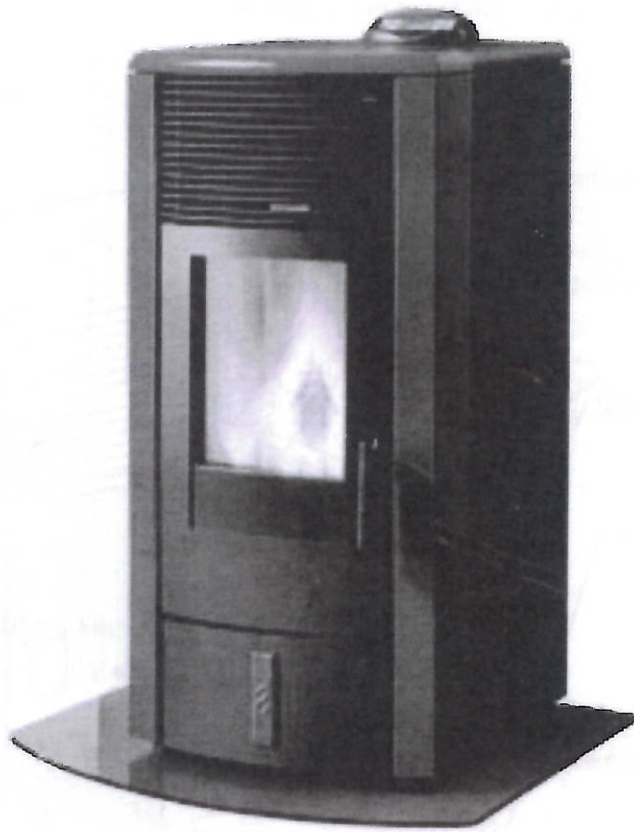


ECOT  CK

Brochure for Elena steel model



Maintenance and cleaning:

Before carrying out any maintenance operation take the following precautions:

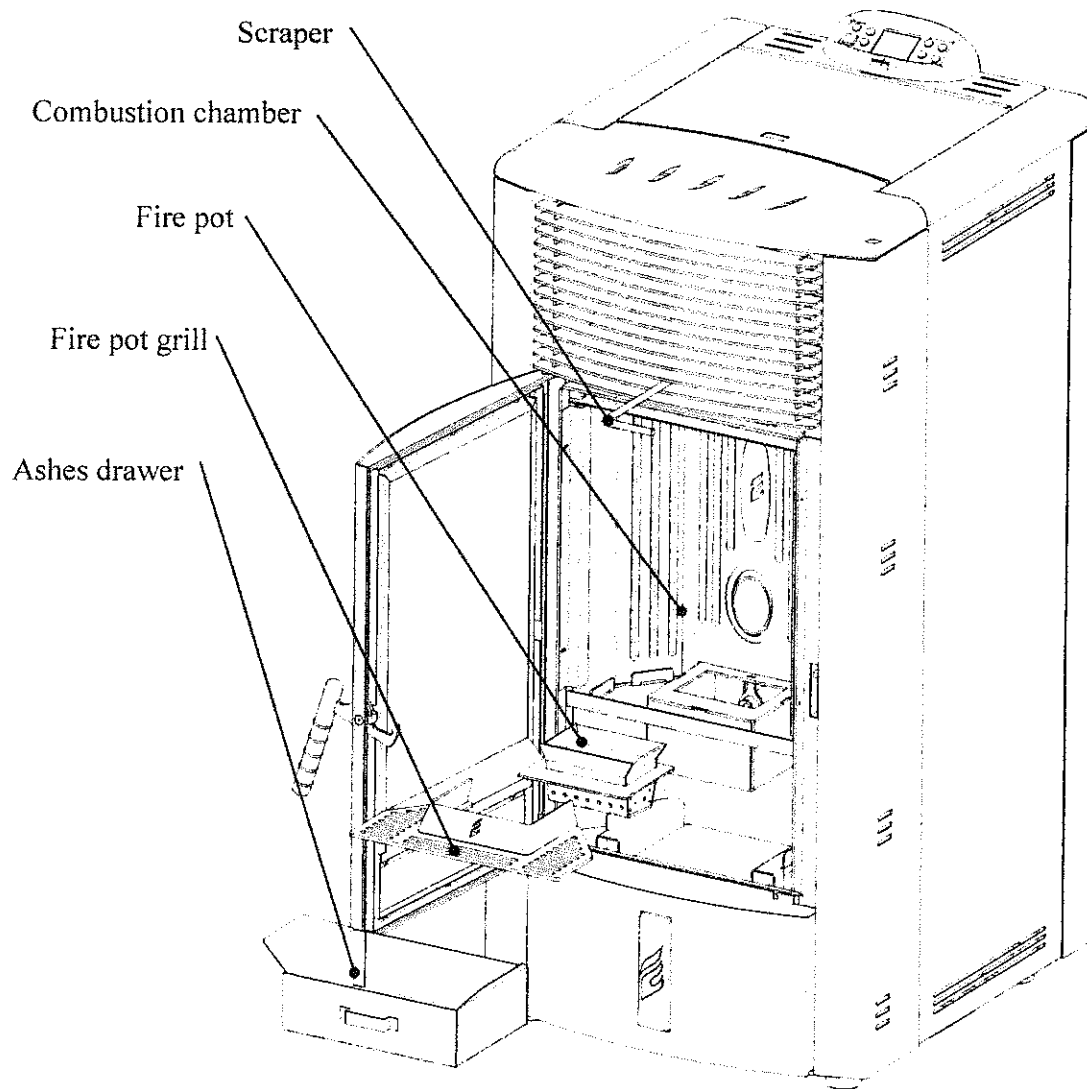
- Make sure that the general power switch has been disconnected.
- Make sure that all the parts of the stove are cold.
- Make sure that the ashes have cooled completely.
- Always use appropriate tools for maintenance.
- When you have finished maintenance reinstall all the safety guards before using the stove again.

The stove requires little maintenance if a quality pellet is used. Therefore it is difficult to establish how often the stove needs to be cleaned. The quality of the pellet and the combustion adjustment are crucial.

Cleaning the combustion chamber:

The stove requires simple but frequent cleaning to guarantee an efficient yield and correct functioning.

Therefore, clean the combustion chamber every day using a drum-type vacuum cleaner, making sure that the ashes have gone out completely.



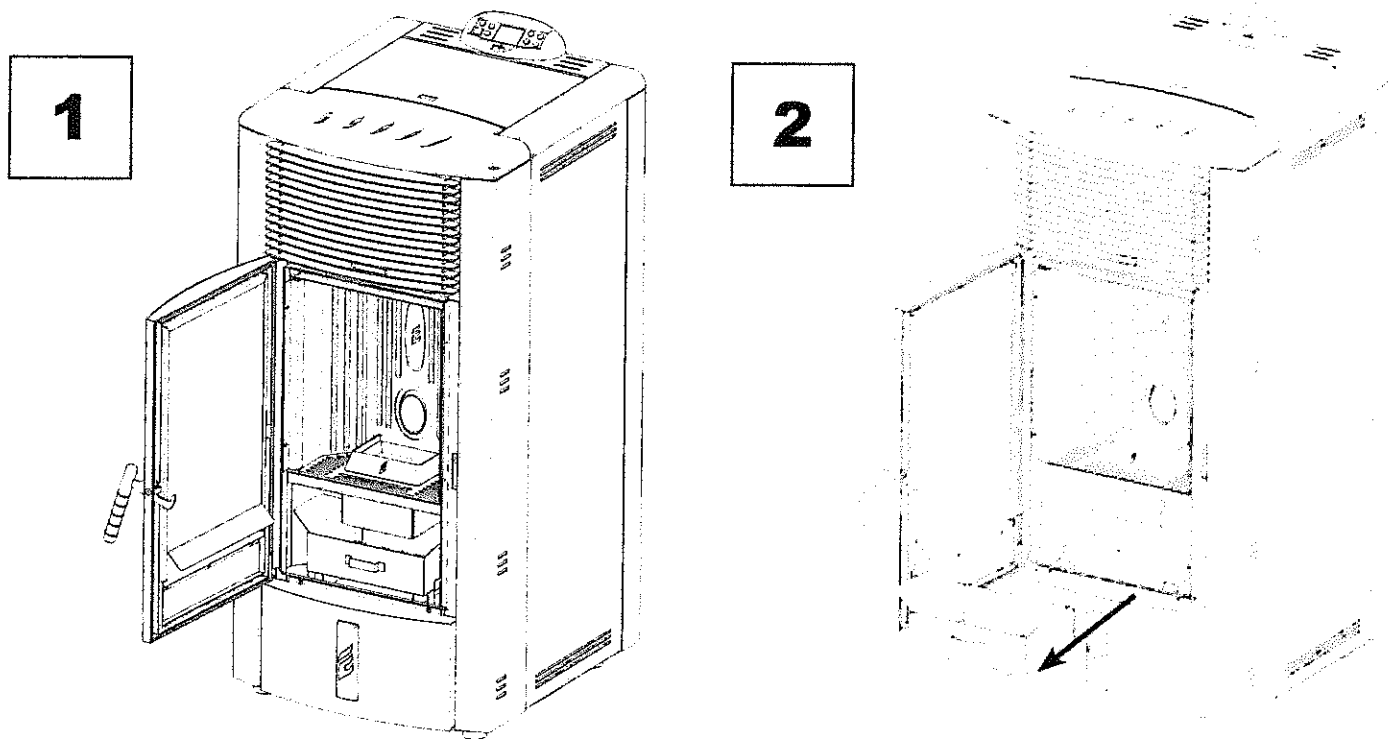
Cleaning of the fire pot:

Clean the fire pot as described in the dedicated chapter of the instruction manual. Only a clean and tidy fire pot can guarantee that the pellet stove will run without any problems. Deposits may form while it is running and these must be eliminated immediately. Correct, daily cleaning will allow the stove to burn properly and to give a good yield, avoiding problems that in the long term could require the intervention of a technician to repair the stove.

Cleaning the ashes drawer:

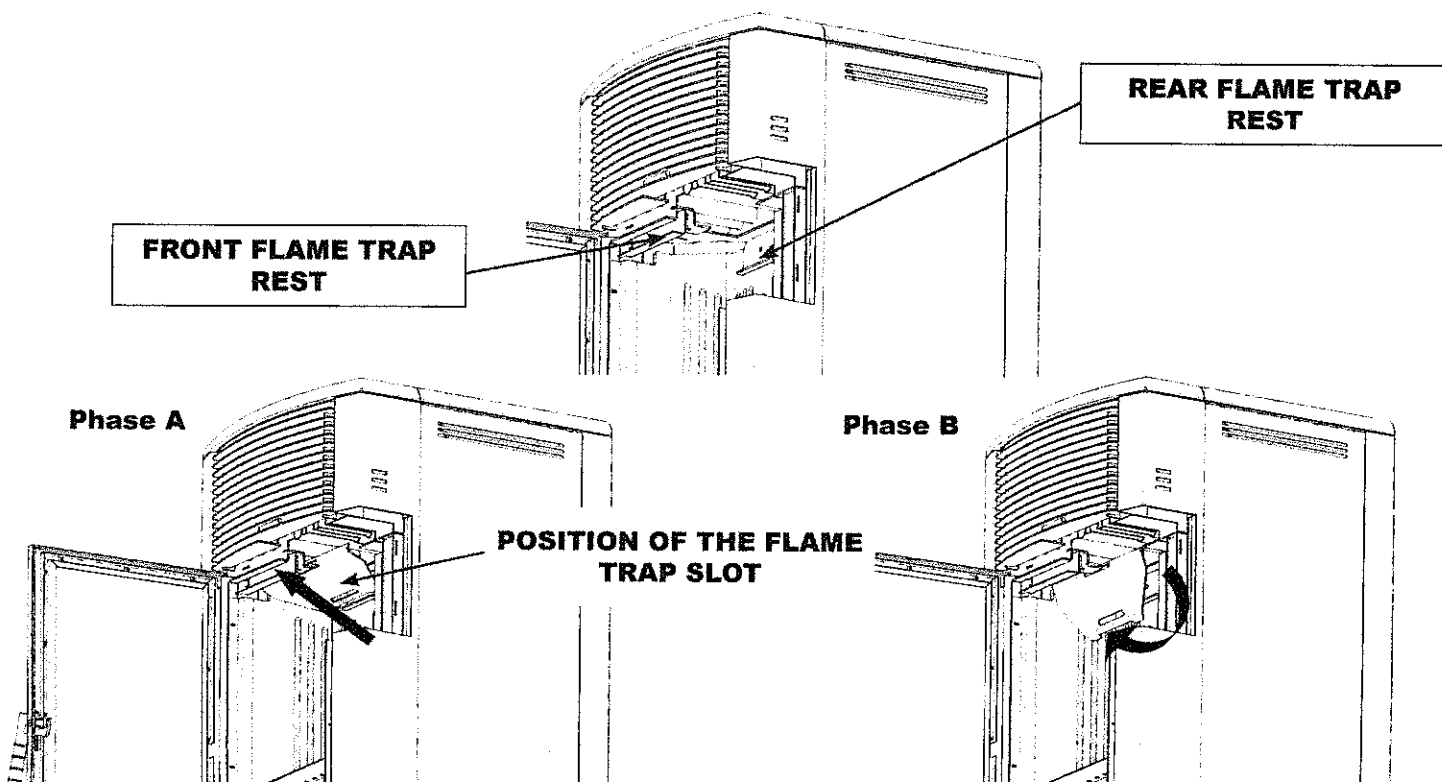
The ashes drawer must be cleaned every 2 days, depending on the length of time the stove is used and the type of pellet used. To access the drawer, open the door (see figure 1) and extract the ashes drawer (see figure 2).

N.B.: The operation must be carried out when the stove is cold, using a drum-type vacuum cleaner.



HOW TO REMOVE THE FLAME TRAP:

N.B.: REMOVE AND CLEAN THE FLAME TRAP REGULARLY.



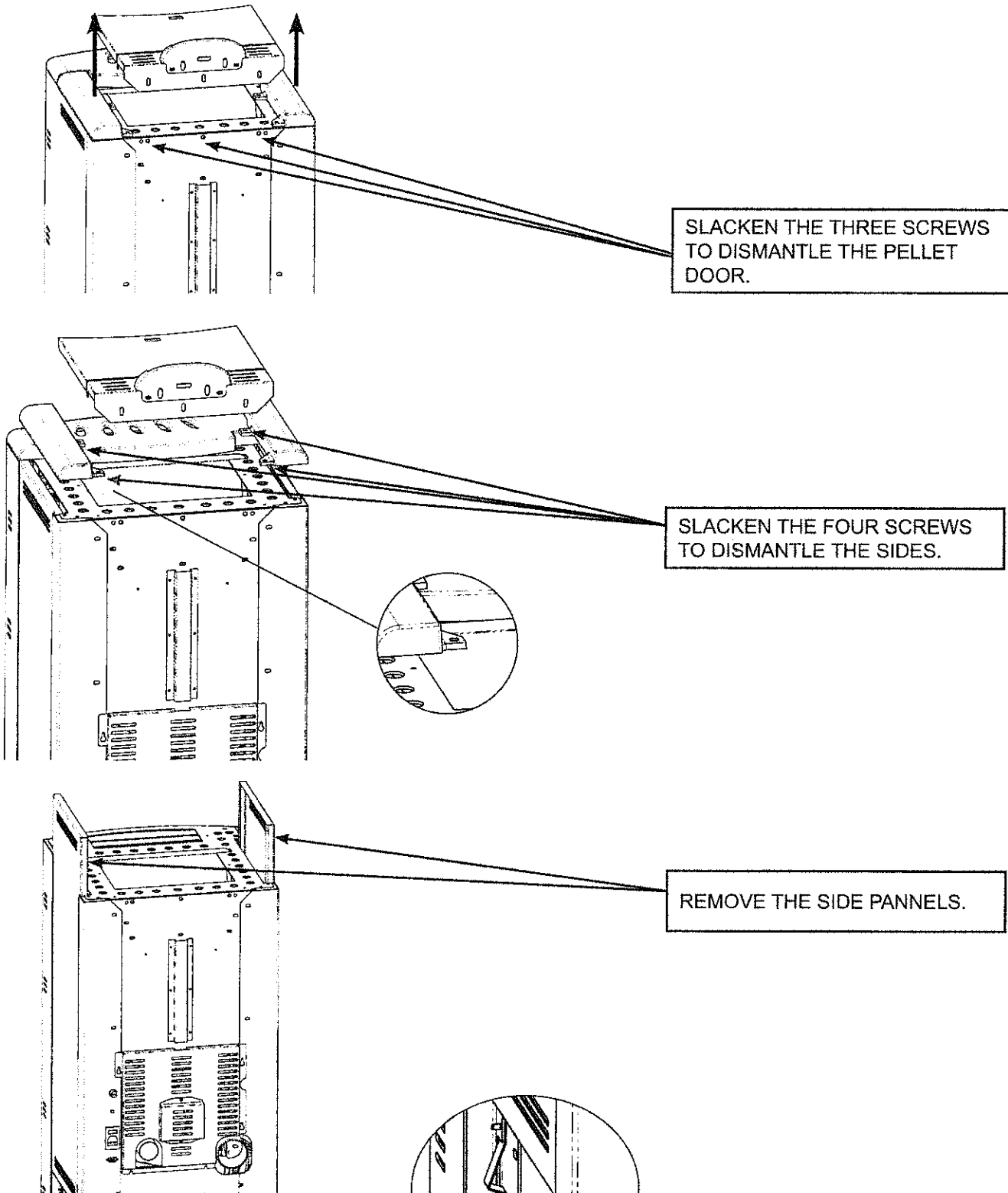
Cleaning the suction duct (every 1000 hours):

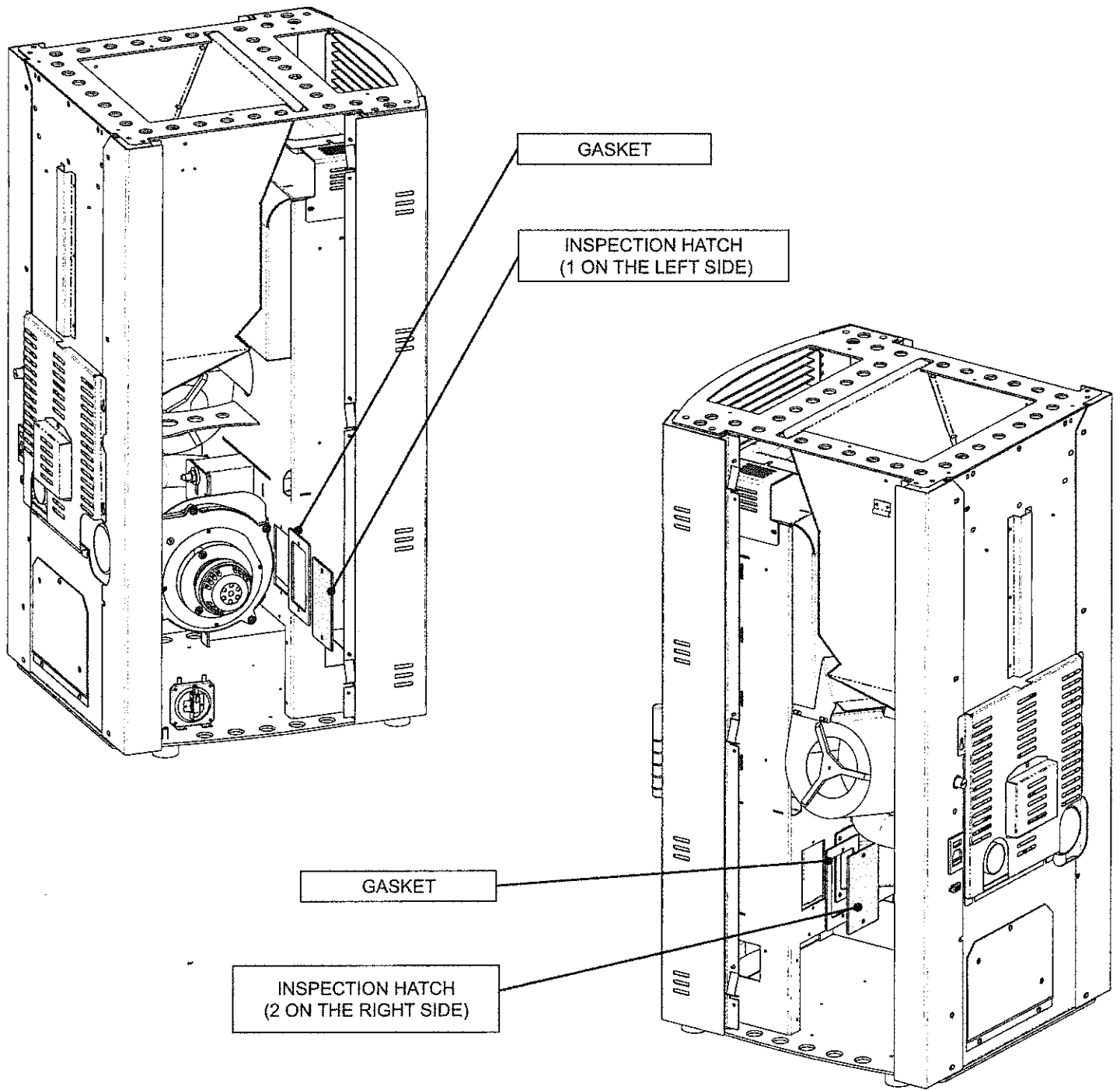
The suction duct must be cleaned once every 3 months (the time may vary depending on the quality of the pellet used). Remove the top and the ceramic tiles on the side as described hereafter to access the inspection hatches.

You are advised to agree this type of cleaning with your Ecoteck assistance centre.

N.B.: Use a drum-type vacuum cleaner only.

How to access the inspection hatches





PARTS / FREQUENCY	1 DAY	2-3 DAYS	30 DAYS	60-90 DAYS	1 SEASON
Fire pot	●				
Ashes drawer		●			
Glass		●			
Suction duct				●	
Door gasket					●
Flue					●
Combustion chamber		●			
Clean the scraper		●			
Vacuum clean the pellet tank			●		