

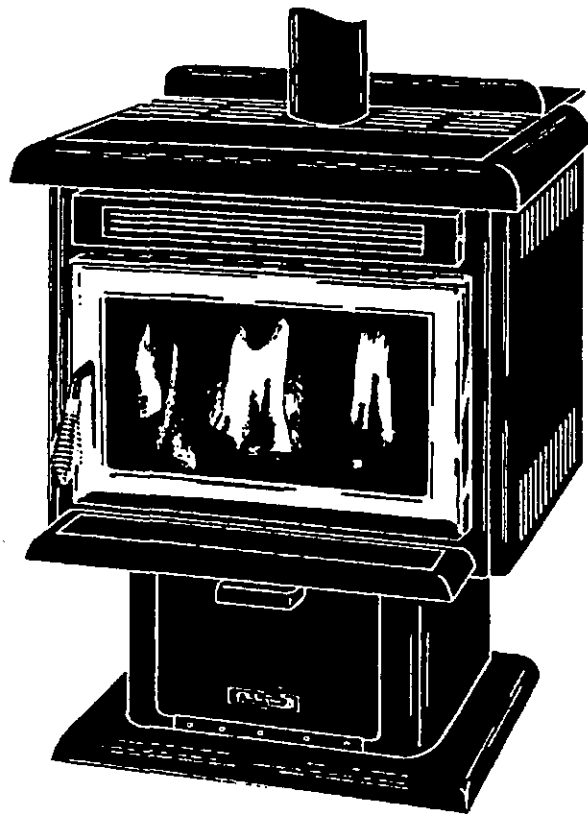
The One & Only™
EARTH STOVE



Pellet Fired
Freestanding
Stove

MP35/50

Installation And Operation Instructions



This appliance must be installed by a qualified technician.
Read thoroughly before installation.
Save this manual for future reference.



TABLE OF CONTENTS

Safety Notice	1
Introduction	2
Operation	4
Maintenance	8
Installation	12
Troubleshooting	18
Power Flow Diagram	20
Wiring Diagram	21
Glossary	22
Specifications	23
Component Diagrams	24
Warranty	25
Safety/Listing Label	26
Service/Maintenance Log	27

IMPORTANT SAFETY NOTICE

PLEASE READ BEFORE ATTEMPTING TO BURN!

CAUTION: *If this stove is not properly installed, a house fire may result. For your safety, follow the installation directions; contact local building officials about restrictions and installation inspection requirements in your area.*

1. Installation of this stove must comply with local codes. A building or installation permit may be required. Be sure to check with your local building official or fire department before installing.
2. If utilizing an existing chimney have your fireplace flue or chimney system inspected by a qualified person prior to installation of the stove. Make any necessary repairs before installing.
3. Never connect stove flue to chimney being presently used by another appliance.
4. Never block any air intake or air outlet ports. Dangerous overheating can result.
5. Do not install this stove in a sleeping room.
6. Never connect the stove to an air duct system.
7. Never stack or pile combustible materials against the stove or around external vent termination.
8. To avoid burns, children and adults should be alerted to the hazards of high surface temperatures.
9. To provide reasonable fire safety, install a smoke detector and a conveniently located fire extinguisher.
10. In the event of a chimney fire, notify the fire department, and unplug the stove.
11. Terminate pellet vent pipe so that contact with humans or possible damage to pipe is avoided.
12. Required fuel is: 1/4" diameter wood pellets, 1" maximum length, 8500 BTU per pound, 10% maximum moisture content, 1 1/2% - 3% ash. Corn kernels, 10,000 BTU per pound, 15% maximum moisture content. (Optional Cornpot and metering cup filler plug required).
13. Do not attempt to burn cordwood or pressed logs in this stove, severe damage or fire could result.

Testing/Listing

The Earth Stove model MP35/50 pellet fired appliance has been constructed, tested and listed for use in residential construction in accordance with the applicable portions of the following standards - UL1482, UL127, UL103 or UL641, UL507 and UL391 and for use in manufactured dwellings and park trailers according to OAR 918-520-010 through 918-520-110, by Pacific Inspection and Research Laboratory, Inc., (PIRL) Redmond, WA 98052. Listing file 89-174.

Based on a tested air to fuel ratio in excess of 35:1, this appliance is not an effected facility under the EPA regulations for wood burning stoves.

INTRODUCTION *Read Entire Manual Before Attempting to Burn*

Three Pronged Plug (Grounded)

Your stove has a printed circuit board and other electrical components that require a grounded circuit and proper polarity. Purchasing a surge protector provides additional insurance against unnecessary problems.

Control Panel/Fan Rheostat

The primary control board manages the performance of your stove. It allows you to regulate the fuel feed rate, the draft fan voltage and main power to the stove. The room air fan rheostat allows you to manually regulate the fan speed except when the automatic high speed override is engaged.

Firepot

The pellet firepot is where the fuel is burned. Although it has a self cleaning capability for much of the ash build up, variable fuel quality (ash content) and extended periods of a low burn rate will necessitate some manual cleaning. An Earth Stove firepot cleaning tool is highly recommended (part #1000).

Hopper

The hopper is where the fuel is stored before it feeds into the stove.

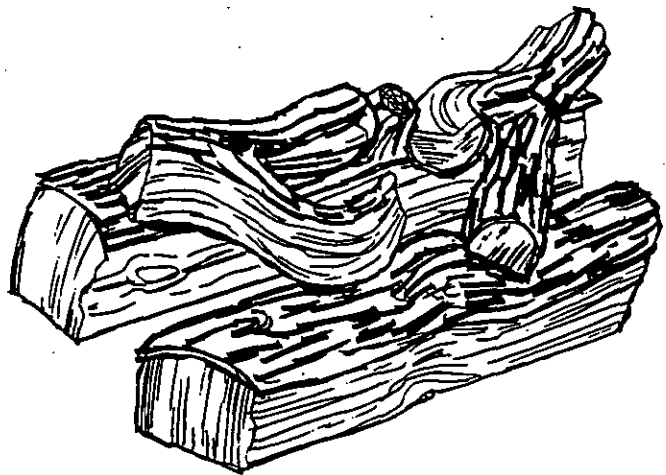
Ash Drawer

The ash drawer located in the front of the pedestal is designed to make cleaning easier by containing the ashes in a removable drawer. It is accessed by turning the spring loaded screws located on the ash drawer cover. Do not operate the stove with the ash drawer open or ajar. Replace gasket material as necessary to insure a tight seal.

Decorative Logs

An important feature of your NaturalFire stove is the realistic fire created by the flame spread firepot and the refractory logs. Although the logs are quite durable, they should be handled carefully, as they retain heat for a considerable period of time, and if dropped can break.

Placement of the logs is important in achieving a realistic fire. One recommended pattern is pictured below which allows you to use a Firepot cleaner without having to remove the logs (except for full maintenance).



INTRODUCTION

How It Works

The fuel metering cup rotates in the throat of the hopper providing a measured amount of fuel based on the set feed rate. The fuel drops into the auger tube where it is moved into the firepot. The draft fan provides combustion air through the auger tube and a series of holes in the inner firepot, to allow for complete combustion.

The flame and hot gases provide heat to the heat exchange tubes located in the upper chamber of the stove. The room air fan extracts the heat and delivers it to the room, along with the natural radiant heat from the glass and metal surfaces.

Gold Door

Your Earth Stove's gold door frame should be cleaned thoroughly with a good window cleaning solution and a soft cloth BEFORE the stove is burned. Do not use any metal polishes or abrasives to clean the door. Any oils or fingerprints left on the gold could become permanent blemishes if the stove is burned prior to their removal. After the first few fires the gold will cure.

Glass

The glass is a super heat resistant ceramic that withstands continuous temperatures up to 1390^o F. This temperature is well beyond the temperatures in which you operate your stove.

This appliance is designed to provide a flow of air over the inside of the glass, which along with high heat helps keep it clean. When operating the stove on low for extended periods of time, the glass may get dirty. A commercial glass cleaner designed for stoves is recommended for cleaning.

The glass should be cleaned thoroughly with glass cleaner and a soft cloth BEFORE the stove is burned.

Marble Set

Marble is a natural product so each piece will have its own unique character. Marble may be cleaned with a damp cloth to remove oils or dust. Be sure to install the four cerawool strips (under the marble) to protect it. Do not put rough objects (such as trivets, steamers, hopper lid, etc.) on the surface. Do not install the marble before curing the paint.

Remote Wall Thermostat

One way to maximize the efficiency and convenience of your stove is to install a remote wall thermostat. A Honeywell T87F 24 volt thermostat is recommended (see page 5).

Corn Pot

NaturalFire pellet stoves will burn most types of corn with the addition of a corn pot kit. For details, see the section on burning corn.

Several options are available to enhance your NaturalFire pellet stove. Please see your local dealer for further information.

OPERATION

Before Attempting To Start Your Stove, Read This Manual Thoroughly. Have Your Stove Pretested and Professionally Installed.

Start Up Procedure

1. Plug in the stove. Fill hopper with pellet fuel.
2. Turn the Main Power Switch to the "Feed System" position.
3. Provide starting fuel by pushing the "Start Button" and allow fuel to feed for approximately five minutes (or put approximately two cups of fuel directly in the Firepot).
4. Turn the Main Power Switch to the "Off" position. (This will stop the fuel feed.)
5. Open fire door and apply Fire Starter gel to the fuel in the Firepot, then light. Allow the fuel to burn for five minutes with the door slightly ajar.
6. Close the door.
7. Turn the Main Power Switch to the "Feed System" position, then push the Start Button.
8. Set the Fuel Rate Switch to the "Full" position. If using a remote Thermostat, adjust it to the desired room temperature.
9. As the stove temperature rises, the Room Air Fan will automatically engage. At that point, adjust the Fuel Rate Switch to the desired setting. During the start up procedure or when running the stove on a "Low" Fuel Rate Setting, the Room Air Fan Rheostat must be in the off position. Failure to do so could cool down the stove and it will automatically shut off.
10. If the fire goes out, go back to step two again.

Shut Down Procedure

1. Turn the Main Power Switch to the "Draft Fan" position. If using a remote Thermostat, turn the Thermostat down.
2. When the fire in the Firepot goes out completely, shut the Main Power Switch to the "Off" position.

WARNING: IF THE POWER SWITCH IS TURNED OFF PREMATURELY WHILE A FIRE IS STILL ACTIVE IN THE FIREPOT, THIS MAY RESULT IN SMOKE BACK INTO THE DWELLING (THIS WOULD DISSIPATE RAPIDLY).

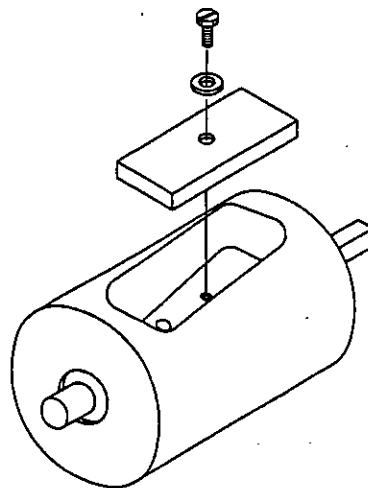
Pellet Fuel Calibration *

The MP35/50 is shipped from the factory, set to 50,000 BTU input. To adjust to 35,000 BTU input, install the 1/8" filler plug into the fuel metering cup.

35,000 BTU - 1/8" filler plug
50,000 BTU - open

Filler Plug Installation

Place the filler plug into the bottom of the metering cup fuel cavity and secure with the screw provided into the tapped hole.



OPERATION

Control Board

A. Main Power Switch

The main power switch is a three way toggle with the following positions:

1. Off (stove off)
2. Draft Fan - allows the draft fan to operate alone during shut down.
3. Feed System - stove on

B. Fuel Rate Switch

The fuel rate switch controls the amount of time the burner feeds fuel. It can be set to the following three positions:

1. Full - will feed fuel continuously.
2. Medium - will feed fuel approximately two minutes on then two minutes off.
3. Low - will feed approximately one minute on then three minutes off.

C. Draft Fan Switch *

The draft fan switch controls the amount of air used for combustion during piloting process. It can be set to the following three positions:

1. High - runs at 75% of capacity when stove is not feeding fuel.
2. Low - runs at 50% of capacity when stove is not feeding fuel.
3. Off - runs at 0% of capacity when stove is not feeding fuel.

* The draft fan will run at 100% of capacity during the feeding of fuel.

D. Start Button

Depress the start button to allow fuel to feed for approximately 12 minutes (used during start up of the stove).

E. On/Off Light

The On/Off Light blinks to indicate electricity is flowing through the primary control board.

F. Fuse

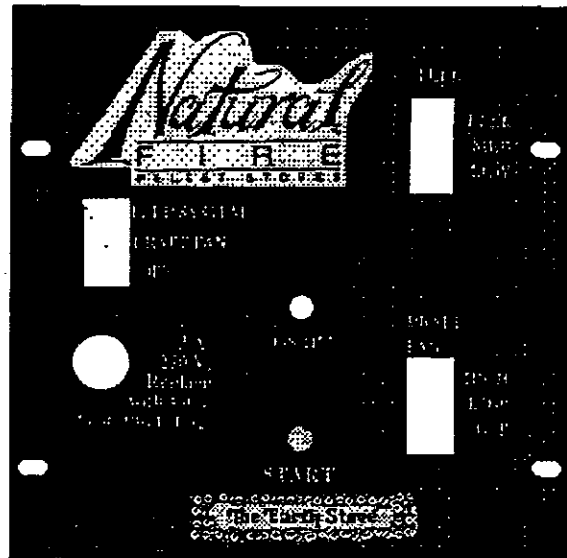
The Fuse protects the Primary Control Board from power "surges or spikes".

Optional Remote Wall Thermostat

One way to maximize the efficiency and convenience of your stove is to install a remote wall thermostat. A Honeywell T87F 24 volt thermostat is recommended.

Follow the manufacturer's installation instructions using 18/2 stat wire. The leads from the stove are the yellow wires found behind the Primary Control Board.

Once you have installed the Thermostat, the Fuel Rate Switch should be set to "Low". This will be the rate the stove will run on pilot when the Thermostat is not calling for heat.



OPERATION

Room Air Fan Rheostat

The room air fan rheostat can be used to vary the speed of the room air fan by rotating it to the desired setting. When the stove is very hot (running on high), the rheostat override (fan speed disc) will automatically run the fan on high to prevent the stove from overheating.

Normal Operating Sounds

Heat Exchange Tubes - As the room air fans increase in speed, you may hear air flowing through these tubes and out into the room.

Thermostatic Control Disc - There are four different heat activated temperature discs on the insert. The discs can make a light clicking sound as they cycle while the insert heats up or cools down.

Room Air Fan - The modern, high efficiency fan may have a hum or pulsating sound, particularly on the high setting. The sound may change as the fan speed is varied.

Auger Feed System - When fuel is fed from the hopper to the auger tube, a light clinking sound of the fuel being cut may be heard.

Auger/Cup Motor(s) - When feeding fuel, you may hear the intermittent buzz or hum of these motors.

Draft Fan - This motor runs at various speeds to provide combustion air to the firepot (and to aid in the draft of the flue). The speed of this motor will increase with the feeding of fuel.

OPERATION

Burning Corn (Optional)

Natural Fire pellet stoves will burn most types of corn with the addition of a cornpot kit. It is not necessary to mix corn with wood pellets however, wood pellets are required to start the fire.

NOTE: *Burning treated seed corn is never recommended.*

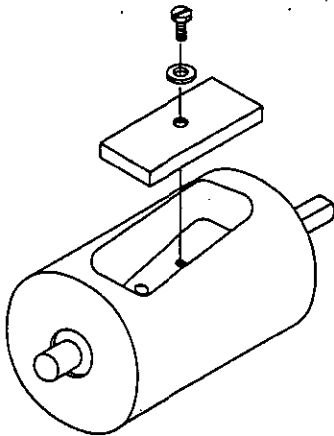
The cornpot kit consists of:

- 1 1/8" Filler Plug
- 1 3/8" Filler Plug
- 1 Cornpot

To install the cornpot, simply remove the screw(s) from the top of the auger housing and lift up and out on the firepot. Slide mounting flange of the cornpot over the auger housing and replace screw(s).

Initially the air shutter on the draft fan should be set at 1/2 open and the draft fan selector on "LOW". If more or less combustion air is needed, adjust the air shutter accordingly to achieve a bright yellow flame.

Because corn size and density varies, it will be necessary to calibrate the fuel metering cup in order to maintain rated BTU input and prevent overfiring. This requires the installation of the filler plug in the fuel metering cup. Use the 3/8" filler plug provided in the cornpot kit.



The moisture content of the corn should be 15% or less, and care should be taken to ensure that there are no foreign objects in the corn (i.e. sticks, stalks, cob parts, etc.). When burning corn, the primary combustion takes place on a bed at the bottom of the cornpot.

The cornpot has a solid bottom and sides with air holes because burning corn forms a fluid-like residue which becomes solid when cool. The cornpot cleaning will depend upon the quality and quantity of corn being used. The cornpot should be cleaned when the build up starts to reach the bottom air holes inside of the cornpot. You will need to remove the ash, and in some instances a white calcium like deposit. The stove must be shut down and cooled before cleaning.

CORN BURNING SHOULD BE DONE IN TOP VENT INSTALLATIONS ONLY. If the installation must elbow into a wall thimble, the horizontal run should not be more than 24". The use of a wall mounted thermostat, part #CTR140 is suggested.

Start Up Procedure

We recommend starting a corn fire with wood pellets because corn has a dense shell that can be difficult to start. Manually fill the cornpot, to the bottom of the auger tube, with wood pellets. Use of the start button feature is not recommended when initially starting the unit for corn burning. (See "Start Up Procedure" in the Operation section for additional start up information).

MAINTENANCE

Ash Removal and Disposal

CAUTION: BE SURE THE FIRE IS OUT AND STOVE IS COLD BEFORE REMOVING ASHES! NEVER BURN YOUR STOVE WITH THE ASH DRAWER OPEN.

Ashes can hold live embers for several days, and must be disposed of with care. Be certain the fire is out before you remove the ash drawer. Brush ashes into the ash drawer. After emptying, clean and replace the ash drawer and tighten the spring loaded screws. NEVER place ashes in a cardboard box or any other combustible receptacle. Place the ashes in a metal container with a tight fitting metal lid. The closed container should be stored on a noncombustible surface, away from combustible materials. Keep the ashes in the closed container until you are certain all the cinders have completely cooled. Replace ash drawer gasket if it becomes damaged.

Paint

Your stove finish is a high temperature paint that requires time and temperature for the silicon resin in the paint to completely cure. Depending on your use, this may take a few hours or a few days. The paint manufacturer recommends you ventilate the house during the initial burns. Although the emission is primarily Carbon Dioxide, there are other components emitted which make it smell bad and may irritate some people. Do not place anything on the stove surface until the paint is completely cured, as it will become soft during this process. Do not attempt to repaint the stove until the paint is completely cured. If the surface later becomes stained or marred, it may be lightly sanded and touched up with spray paint from the same paint manufacturer. Paint is available at your local dealer.

KEEP YOUR HOUSE WELL VENTILATED DURING THE CURING PROCESS. THE CHEMICAL SMELL AND BLUISH HAZE EMITTED BY THE CURING PAINT CAN BE QUITE NOTICEABLE AND MAY SET OFF A SMOKE DETECTOR.

Fan(s)

At least once each year, check the room air fan and draft fan inlets for deposits from carpeting, pet hair, furniture coverings, etc. Use a brush and/or light vacuuming for cleaning.

Door Gasket

A spun fiberglass gasket (3/4" in diameter) provides the seal around the fuel door. Should this become frayed or damaged it should be replaced. Spun fiberglass "rope" gasketing can be purchased from your dealer or some hardware stores. It must be the same diameter as the original. Use high temperature (RTV) silicone sealer as an adhesive.

WARNING: MAINTAIN THE DOOR SEAL IN GOOD CONDITION. DO NOT LEAVE THE STOVE BURNING WITH THE DOOR OPEN OR AJAR. DO NOT USE ANY TYPE OF ABRASIVE CLEANER OR POLISH ON GOLD PLATING.

Creosote Formation and Need for Removal

If your stove is properly adjusted, very little creosote will develop in your flue system. If creosote begins to develop, it is likely that poor adjustment or needed maintenance is causing incomplete combustion of the fuel. Be sure your draft fan switch, and draft fan shutter are set properly.

What causes creosote is the moisture content of fuel verses the rate at which it is burned. Piloting a stove on low feed rate for long periods of time, causes incomplete combustion, creating vapors which may condense in a relatively cool chimney, thus forming creosote. These deposits tend to form in long runs of venting where gases cool prior to exhausting.

Soft fly ash is a normal by product of burning pellet fuel, and can accumulate in your flue system. Using lower grade fuel will increase the frequency of cleaning that will be needed. Check your flue regularly (at least once a month) until a schedule can be established for your installation and fuel quality. Remember, during high use periods to increase your inspection cycle.

Note: Single wall pipe cools rapidly, therefore installations using this type of flue are more susceptible to creosote deposits.

MAINTENANCE

Refractory Logs

The following steps will insure the longevity of your logs:

1. Never attempt to handle the logs while they are hot.
2. Carefully remove logs from firepot when the stove is cold. Remove ashes from the firepot. Then carefully place the logs into their proper position (see page 2).

Firepot

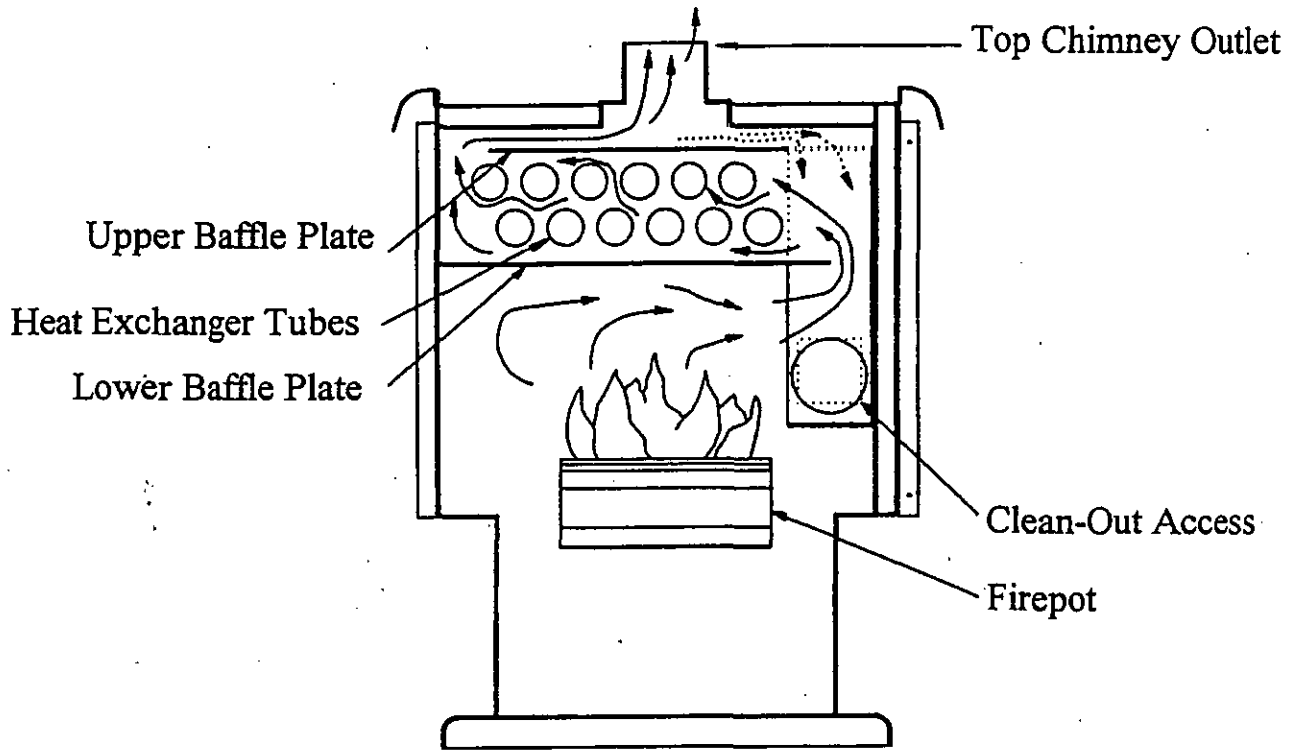
Keep the firepot inner holes free of obstructions (buildup). Remove the firepot and empty it when this occurs. The quality and quantity of pellets used will dictate the necessary cleaning. Remove clinkers or carbon build up.

Clinkers are a byproduct of the fuel. Silica (or dirt) in the fuel, along with other impurities can fuse under heat and cause clinkering. Clinkering is a function of the fuel, not the stove. A clinker should be removed using a clean out tool.

Cleaning the MP35/50

1. Turn the unit off two to three hours before cleaning to allow the unit to cool (see Shut Down Procedure).
2. Place protective floor covering around the front of the stove.
3. CAREFULLY remove the decorative logs from the firebox and set them aside.
4. Remove the firepot by removing screw(s) from the auger housing and pulling up and out.

5. Remove ash drawer and empty ashes into your noncombustible container. Dispose of ashes as previously described (see Ash Removal and Disposal). Clean any remaining ash from the firebox and ash drawer area.
6. After the stove chimney has been swept, the top/rear chimney seal off plate needs to be pulled off of the stove to vacuum the unit out. There is a baffle plate beneath the heat exchange tubes. Fly ash will accumulate on this plate and must be removed to ensure full efficiency. To clean, remove the baffle plate and pull the cleaner plate all the way forward and then return to the rear of the firebox.
7. Remove the clean out access cover and vacuum out the fly ash (see page 10).
8. Reinstall your firepot being sure that the auger tube protrudes about 1/8" into the firepot. Replace baffle and clean out access. Reseal and secure stove chimney.
9. The cleaning frequency will be dictated by the quality and quantity of the fuel burned. The following is the suggested schedule to establish a minimum: After every 1/2 ton of pellets, when the metal surfaces of the exchange tubes are no longer visible, or after every 2-3 weeks of use.



MAINTENANCE

Maintenance Requirements

As with all appliances, periodic maintenance is required to keep them operating at optimum efficiency. We recommend an annual maintenance service by a qualified technician.

Maintenance Related Problems

Problem: Decrease in heat output or incomplete combustion.

Solution: See maintenance points A, B, C, D & E.

Problem: Decrease in Room Air Fan velocity.

Solution: See maintenance point D.

Problem: Noticeable change in Room Air Fan noise.

Solution: See maintenance point D.

Problem: Stove smokes or odor in home.

Solution: See maintenance points A, B, C, E, G & H.

Problem: Flames appear to burn lazily.

Solution: See maintenance points A, B, C & E.

Problem: Pellets stick to inside surface of hopper (additives in fuel bonding to paint).

Solution: See maintenance point I.

Recommended Maintenance Points

- A. Once for every 1/2 ton of fuel burned, remove all dust and flue ash from Heat Exchange Tubes and Baffle areas using the cleaner plate.
- B. Remove and clean the Firepot. Keep inner air holes free from buildup. Remove ashes from the Ash Drawer weekly or as fuel dictates.
- C. Clean chimney, cap and exhaust passageway annually or as needed. Inspect monthly.
- D. Vacuum air intake and squirrel cage on Room Air Fan annually.
- E. Clean squirrel cage on Draft Fan annually.
- F. If Remote Thermostat is used, remove cover and clean contacts annually.
- G. Replace Door Gasket as needed.
- H. Replace Ash Drawer Door Gasket as needed.
- I. Clean inside surface of hopper with a good window cleaning solution, then apply a non-stick spray (i.e. Teflon Spray). Do not use vegetable or oil based sprays.

If solutions fail to cure problem, See Trouble Shooting Section.

INSTALLATION

Recommended Pre-Installation Procedure

NOTE TO INSTALLER: Before the unit is installed it is recommended that the unit be pre-burned to verify the operation, to burn off oils that are sometimes found in the heat exchange tubes, and to cure the paint. The "Pre-Installation Procedure" should be done in a well ventilated area as follows.

1. Remove the baffle plate from the pallet and place it on the brackets inside the stove. The brackets are located below the heat exchange tubes at the rear and above the door at the front. Make certain the baffle plate is placed all the way to the rear and left hand side of the unit and not centered. The heat exchanger cleaner plate handles should fit into the two notches in the baffle plate
2. Plug the stove into a grounded outlet (using a circuit tester, verify the electrical outlet for proper ground and polarity where the unit will be installed. Failure to do so could result in damage to the electrical components and void the warranty).
3. Check the shutter on the draft fan and make sure it is set at 1/2 open (once installed the actual setting will depend upon the draft of the flue). On the primary control board, A) set the main power switch from "Off" to the "Draft Fan" position and B) put the fuel feed rate on "Full". The draft fan should now start. Open the door, place your hand over the firepot and see if the draft Fan is forcing air into the firepot. Turn the main power switch to the "Off" position.
4. Turn the rheostat "On" to see if the room air fan runs. After checking the fan, turn the rheostat "Off".
5. Look down into the hopper, and make sure nothing is obstructing the fuel metering cup. Pour 1/4 bag of pellets in the hopper.
6. With the main power switch in the "Feed System" position, push the start button. Allow fuel to feed for approximately five minutes or add two cups of pellets by hand to the center of the firepot (see page 4, item 3). Put the main power switch in the "Off" position. Apply non-volatile lighting material to the pellets and light it with a match. Let the fuel burn for five minutes leaving the door slightly ajar.
7. Close the door and set the main power switch to the "Feed System" position, and the fuel rate Switch to the "Full" position. Push the start button. The draft fan will run at high and the flame will increase (a full flame will need to be established in the firepot before normal operation can be maintained).
8. Once running, observe the stove operating for 15-30 minutes.
9. As the stove temperature rises, the room air fan will automatically be engaged. Set the rheostat to the desired speed.
10. If necessary, adjust the draft fan shutter to bring the fire to a bright yellow flame (the average installation will be 1/2 way open).
11. Once the stove is operating properly, complete filling the hopper and run the unit for 30 minutes.

INSTALLATION

Vent Termination Requirements

The termination of the outside chimney of the pellet stove shall be located in accordance with the following:

1. Higher than 3 ft. above any forced air inlet (air conditioner, etc.) located within 10 ft.
2. Not less than 4 ft. below, 4 ft. horizontally from or 1 ft. above any gravity air inlet (door, window, etc.).
3. Not less than 2 ft. from an adjacent building and not less than 7 ft. above grade when located adjacent to the public sidewalks (access).
4. Not less than 3 ft. below an eave or any construction that projects more than 2" from the plane of the wall.

Note: Do not use class B venting intended for gas appliances as a chimney or connector pipe on a pellet fired unit.

Minimum Clearances to Combustibles

Side: 12"
Back: 1"
Front: 48" horizontal from door

Single Wall pipe: 9"
Maximum horizontal run: 36"
Offsets allowed: 2

Alcove Clearances *

The MP35/50 pellet stove may be installed in an alcove with the following minimum clearances:

Alcove height: 72"
Side Wall Clearance: 12"
Back Wall Clearance: 1"

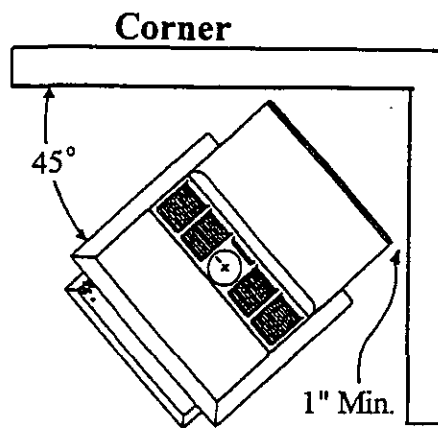
The stove cannot be recessed into the alcove more than 6" from the face of the stove to the plane of the opening of the alcove.

Floor Protection

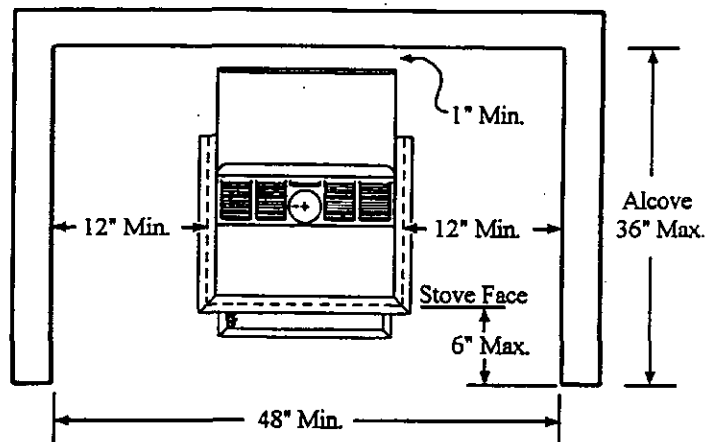
If placing units on a combustible surface, the following requirements must be met:

Residential Installation: No floor protection required when installed on a solid level surface (no carpet).

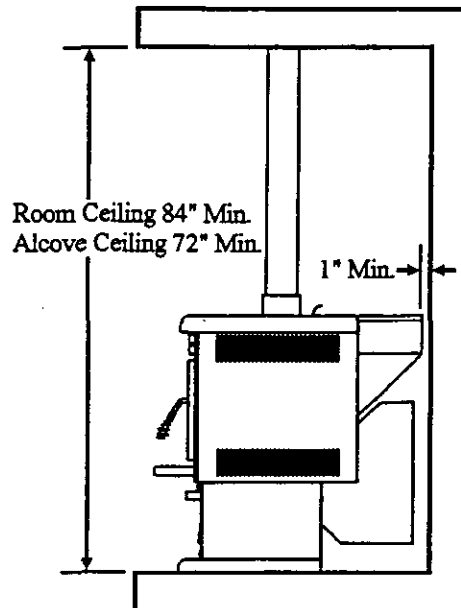
Mobile Home Installations: The floor protection must cover the area beneath the stove and extend one inch beyond the base on all sides.



Rear Wall or Alcove



Rear Wall or Alcove



*** IF INSTALLED TO THE MINIMUM SIDE AND REAR CLEARANCES IN AN ALCOVE, REMOVAL OF THE APPLIANCE MAY BE NECESSARY FOR SERVICING.**

INSTALLATION

Venting Requirements

There are several options for the installation and venting of your pellet stove. Refer to clearances before installing your stove.

Connect only one flue per appliance. When passing through walls or ceilings, The manufacturer recommends that clearances are maintained in accordance with NFPA 211. Do not downsize your connecting pipe or chimney.

Your NaturalFire pellet stove must be connected to a 4" pipe. The preferred type of pipe is a listed chimney which conforms to UL standard 641 or a single wall pipe, 26 gauge minimum. Single wall connector pipe is limited to use within the room of installation; wall or ceiling penetration must be with a listed vent pipe and a wall thimble or ceiling penetration plate. Follow the pipe manufacturers installation instructions and clearances. All pipe joints must be sealed with the compound supplied with the pipe or a RTV silicone with a rating of at least 570°F.

You may connect the single wall or pellet vent to the top of the stove using three screws to secure it to the collar. Use a RTV silicone with a rating of at least 570°F, or interam to provide a complete seal.

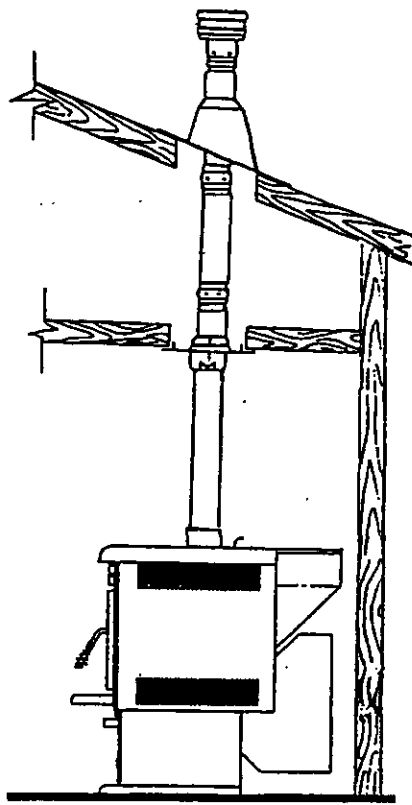
Note: Single wall pipe can be used as a liner in a class A, or masonry chimney.

Connection To A Masonry Chimney Through A Wall

Be sure to verify the construction of a masonry chimney, as many have combustible framing. Follow the pipe manufacturer clearances.

An oversized chimney or high altitude may result in less than optimum performance. Installations into a large, masonry chimney may require a liner to improve performance. The use of single wall flex or rigid (26 gauge galvanized or stainless steel) pipe as a liner is approved.

Standard (Recommended)



The most desirable installation is Pellet Vent pipe connected to the top of the stove and run up through the ceiling, then terminating above the roof line. Be sure to follow all clearances listed by the pipe manufacturer.

Connection To An Existing Class A Chimney

An adaptor can be used to make the connection from 4" Pellet Vent pipe to existing UL chimney system. Verify with the pipe manufacturer that your pipe brands will interconnect. Installations into a large UL chimney system may require a liner to improve performance. The use of single wall flex or rigid (26 gauge galvanized or stainless steel) pipe as a liner through a UL class "A" chimney is approved.

INSTALLATION

Direct Vent

Although a direct vent flue is an approved installation, the manufacturer recommends the outside flue should be installed with a cleanout "T", and Pellet Vent chimney pipe run up through the eave. This will eliminate the possibility of siding discoloration and/or to enhance performance in bad draw situations. Terminate the pipe using the standard clearance. Exception: If using a UL listed Pellet Vent pipe you may use the Pellet Vent manufacturer's clearances.

IF BURNING CORN, DIRECT VENT IS NOT AN APPROVED INSTALLATION.

IMPORTANT!! Never turn the Draft Fan Selector to the "OFF" position on any direct vent installations. Keep the Combustion Fan Switch on the Primary Control Board in the "Low" or "High" position. In the event of a loss of power in a rear vent direct termination application, natural draft is not present and you may receive smoke back in to the dwelling that will dissipate rapidly.

To Install

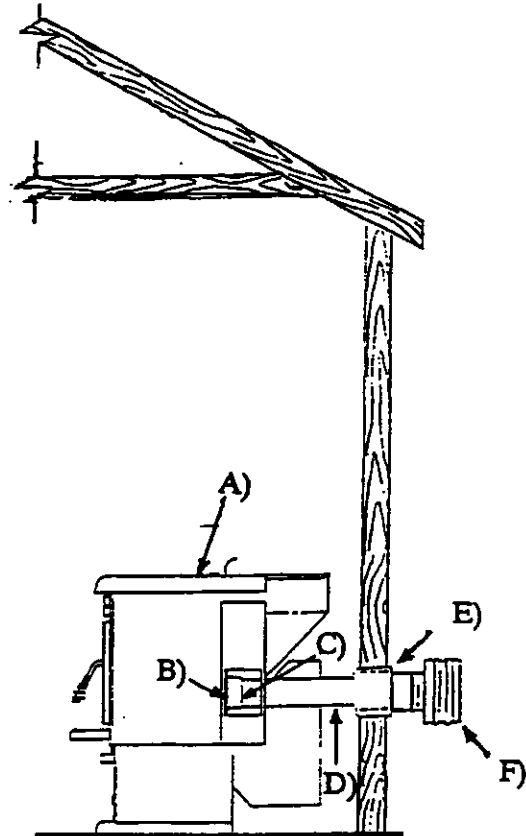
The MP35/50 can be converted to a direct vent by transferring the top flue outlet to the rear vent position. Replace the top flue outlet by using the rear cover plate, removed from the back of the stove. Follow the directions listed below:

1. Lift off the top louvered trim (A) to access the top flue outlet. Remove mounting nuts and starting collar.
2. Remove right side heat shield by removing screws on rear flange to expose access opening.
3. Remove the rear flue cover plate located on the back of the stove.
4. Install the gasket (B) and starting collar (C) making sure the gasket is intact for a tight seal. Replace nuts and tighten.
5. Place the rear flue cover plate over the top opening. Make sure the gasket is in place and there is a complete seal. Replace nuts and tighten.

6. Attach section of pellet vent pipe (D). Seal this connection with high temperature silicone sealant. Secure the section of pipe with two sheet metal screws into the starting collar. One up from the bottom at 6:00 position and one from the side through the access opening at the 9:00 position. The horizontal run may not exceed 36 inches..

When rear breaching, a trim kit is available through your dealer, part number TRK35. It consists of the 1) New louvered top trim, and 2) Two flue seal gaskets (the additional gasket is provided in case of accidental damage during installation).

- A) Top Louvered Trim Panel
- B) Gasket Material
- C) 4" Starting Collar
- D) 4" pellet pipe, 24" section
- E) 4" Wall Thimble
- F) 4" Rain Cap



INSTALLATION

Mobile Home Installation Requirements

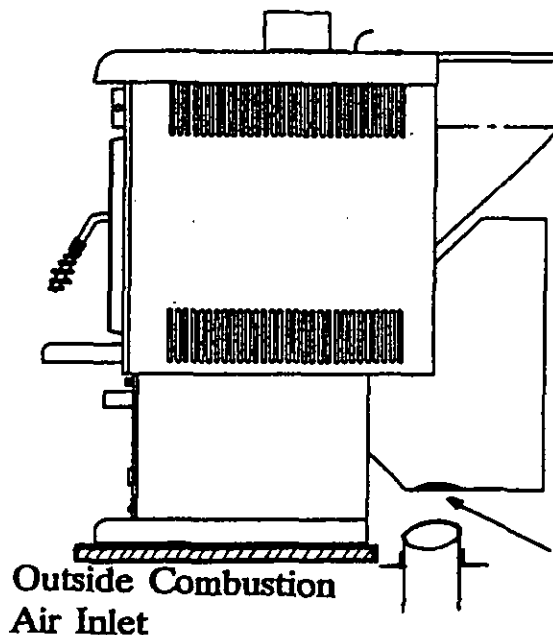
Installation of the MP35/50 into manufactured housing must follow the instructions for residential installation, with the following supplemental requirements per OAR 814-23-900 through 814-23-909:

1. No single wall pipe may be used as a connector or chimney. Pellet Vent pipe must be used from stove top to termination.
2. Maximum two offsets permitted.
3. The chimney must provide for a section joint so that any parts extending above 13' 6" from ground level can be removed for transportation of the mobile structure.
4. The stove must be grounded to the mobile home trailer frame with a No. 8 (minimum) solid conductor.
5. The combustion air must communicate to the outside air.
6. Floor protection must cover the area beneath the stove and extend one inch beyond the base on all sides.
7. Structural members such as roof trusses or floor joists cannot be cut or modified while making the installation.

Outside Air Provision

Although this section applies to a mobile home installation, it may also be required by local codes in standard residential installations. Use the manufacturers optional outside air kit (part #85-35) or equivalent.

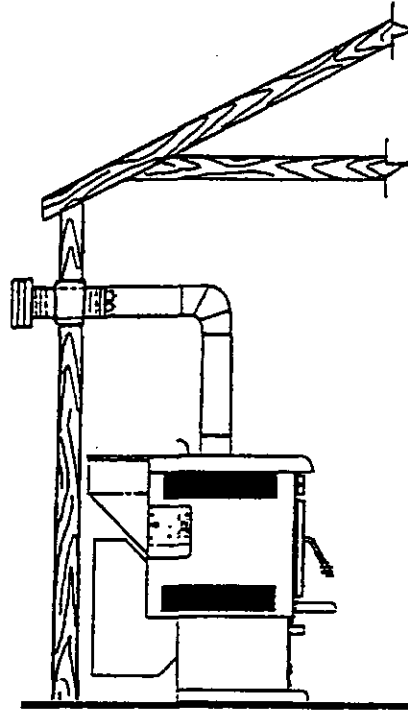
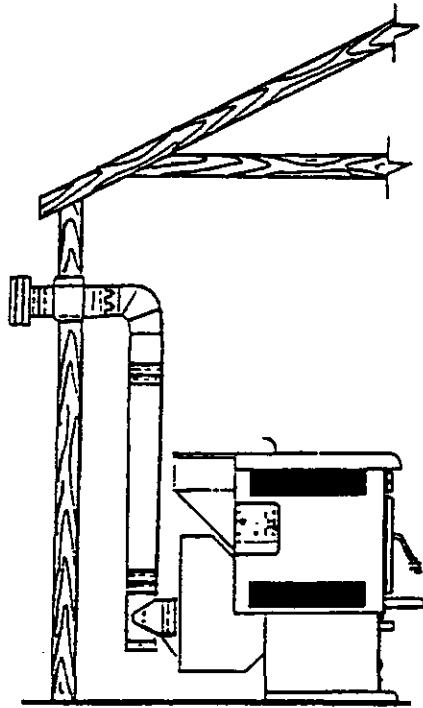
1. Set the stove in its installed position and select the floor or outside wall location for the outside air penetration. The air ducting must connect with the bottom of the motor cabinet of your stove, using rigid or flexible 3" duct.
2. Cut an opening for the outside air kit (Part #85-35).
3. Install the outside air kit.



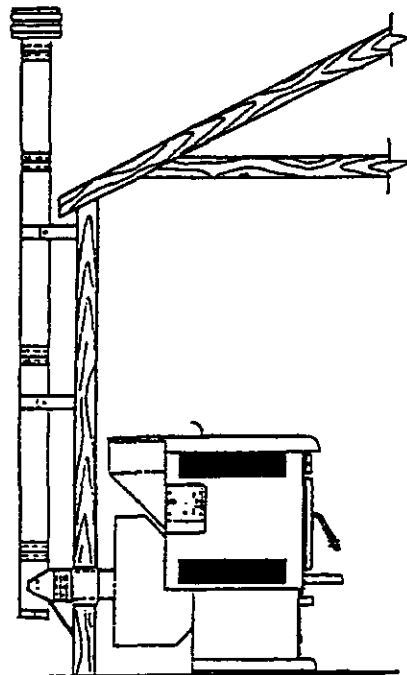
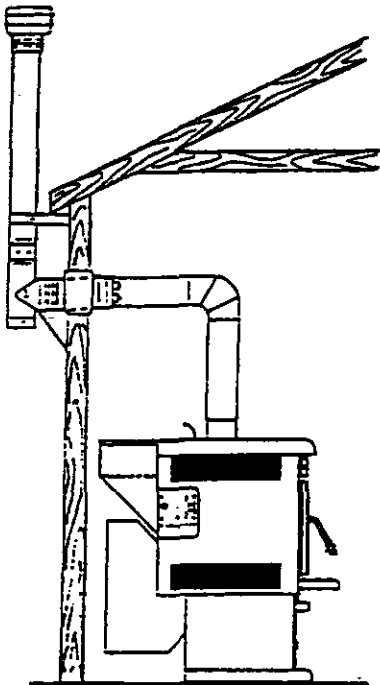
INSTALLATION

Optional Installation Applications

Direct Vent Termination



Direct Vent Using a Cleanout "T"



SIX STEP TROUBLESHOOTING GUIDE (*Qualified Technicians Only*)

Tools Essential For Troubleshooting

1. Stove Installation and Operation Manual.
2. Circuit Tester (Micronta # 22-101 or equivalent).
3. Molex Pin Extractor, 1/8" (p/n # 15068).
4. Volt Meter.

ATTENTION: Before attempting any troubleshooting; 1) Check your outlet to see that you do have power and the outlet is wired properly (use circuit tester); 2) Check the flue for blockage; 3) Take the time to clean the stove; 4) Note the model number of the primary control board (if a model number is not printed on the face of the primary control board, it is a model: Emerson.)

Step #1

Room Air Fan System Check

Turn the rheostat knob till it "clicks", it is now "ON". In this position the room air fan will operate at full speed (115v). Place your hand in front of the air outlet to confirm that air is coming out. Further rotation of the knob will slow the speed of the room air fan. On the lowest setting the fan receives approximately 65 volts. If the room air fan comes on and operates properly (as described), the source of the problem will not be the rheostat, room air fan, fan speed disc, wiring connections or circuitry.

Should the room air fan fail to come on, the first step in finding the problem is to check the power source (using a circuit tester or simply plug a lamp or other small appliance into the outlet). Once it has been determined that there is power to the outlet, the room air fan motor can be checked by removing the leads from the molex connector and connecting them to a 115v power source. If the room air fan runs, the problem is a loose connection. If the room air fan fails to run, replacement of the fan will be necessary.

Step #2

Confirm Power to Primary Control Board

Turn main power switch from the "OFF" position to the "DRAFT FAN" position. If the red indicator light comes on, there is power to the primary control board. If the light does not come on, check the following:

- A. Power source (see Step #1)
- B. Fuse
- C. High limit manual reset discs
- D. High limit auto reset disc

If the fuse is not blown and the high limit manual reset disc has not "popped out", inspect the molex connectors and be certain the pins are making proper contact. Then, using a volt meter, check for power at the power switch. If the volt meter indicates 115v and the red indicator light is not on, it will be necessary to replace the primary control board.

SIX STEP TROUBLESHOOTING GUIDE (Qualified Technicians Only)

Step #3 Confirm Draft Fan Operation

Set the main power switch to the "DRAFT FAN" position then set the fuel rate switch to the "FULL" position. The draft fan should now operate at full power (aprox.115v). During the piloting process, the draft fan will operate at the following speeds:

Switch Position	Voltage
High	70-75v
Low	60-65v
Off	0v

To check the daft fan when the stove is cold, check for movement of air by placing your hand in or near the firepot. If the movement of air is not obvious, inspect the draft fan to be certain the air shutter is open. If the air shutter is open and the draft fan is not running, check it by using the procedure in Step #1, paragraph 2.

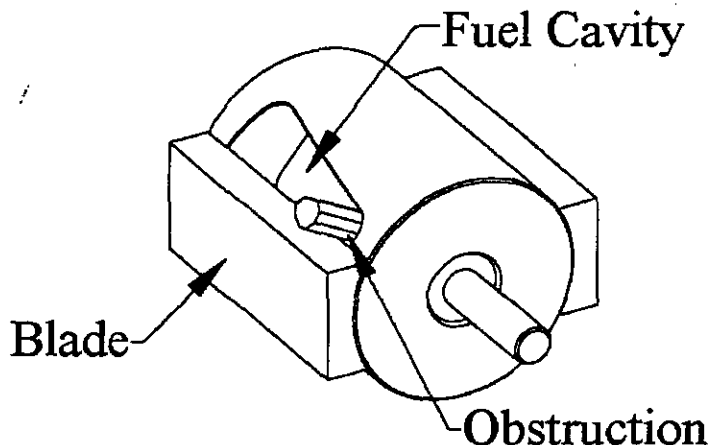
Step #4 Inspect Fuel Metering Cup for Blockage

To inspect the fuel metering cup, **FIRST**:

- **UNPLUG THE POWER CORD.**
- **NEVER PUT YOUR FINGERS IN THE FUEL CAVITY OF THE METERING CUP.**

Remove all the fuel from the hopper. Reach down inside the hopper and rock the fuel metering cup back and forth (being careful not to put fingers in fuel cavity of metering cup). The cup should move approximately 1/4" in either direction. If it does not move, something is jamming it (usually a foreign object) and will have to be removed by using one of the following methods:

- A. Using a tool, such as a slotted screw driver, clear the obstruction (between the fuel cavity of the metering cup and the blade).



- B. Locate the metering cup motor cooling propellor on the back of the appliance and turn it by hand in the reverse direction until the metering cup rotates back far enough to clear the obstruction.
- C. If procedures A or B fails to clear the obstruction, then remove the metering cup motor and metering cup to find and clear the obstruction.

Step #5 Confirm Cup and Auger Motor Operation

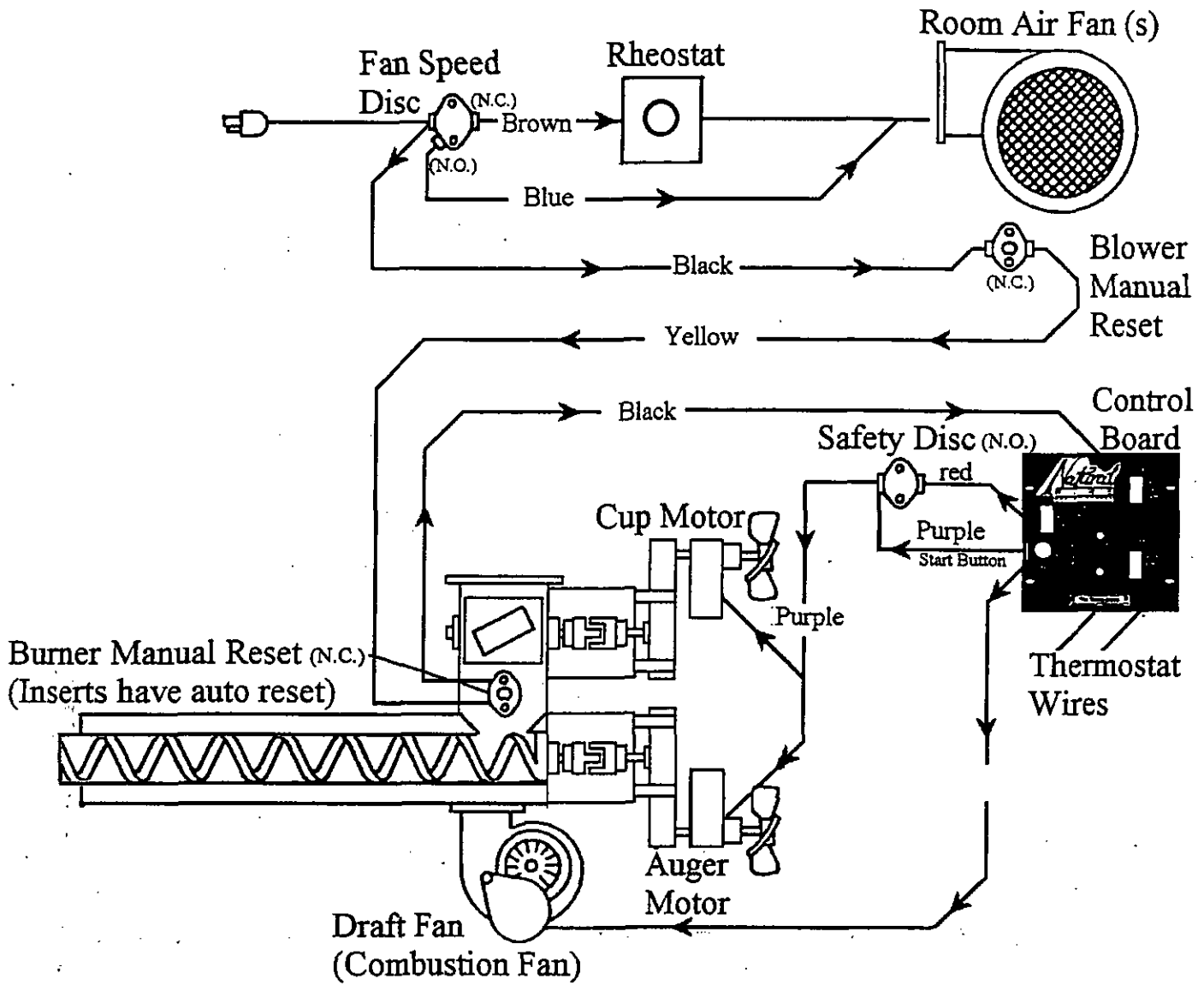
Set the main power switch to the "FEED SYSTEM" position. Press the "START" button. Both the cup and auger motor should start. If the motors run but the fuel metering cup and/or auger does not turn, check the cast iron coupler on the ends of each motor shaft to make certain the set screw is tight on the flat part of the shaft. If the motors are not running, use a volt meter to check for line voltage (115v) at the molex connector or check them by using the procedure described in Step #1, paragraph 2.

Note: Anytime you are checking the motors, you should verify the speed at which the motors are turning. This can be accomplished by timing the revolution of the coupler. Using the set screw as a reference point, the bottom motor (auger) will make approximately one revolution in 10 seconds. The top motor (cup) will make approximately one revolution every 48 seconds.

Step #6 Re-light The Stove

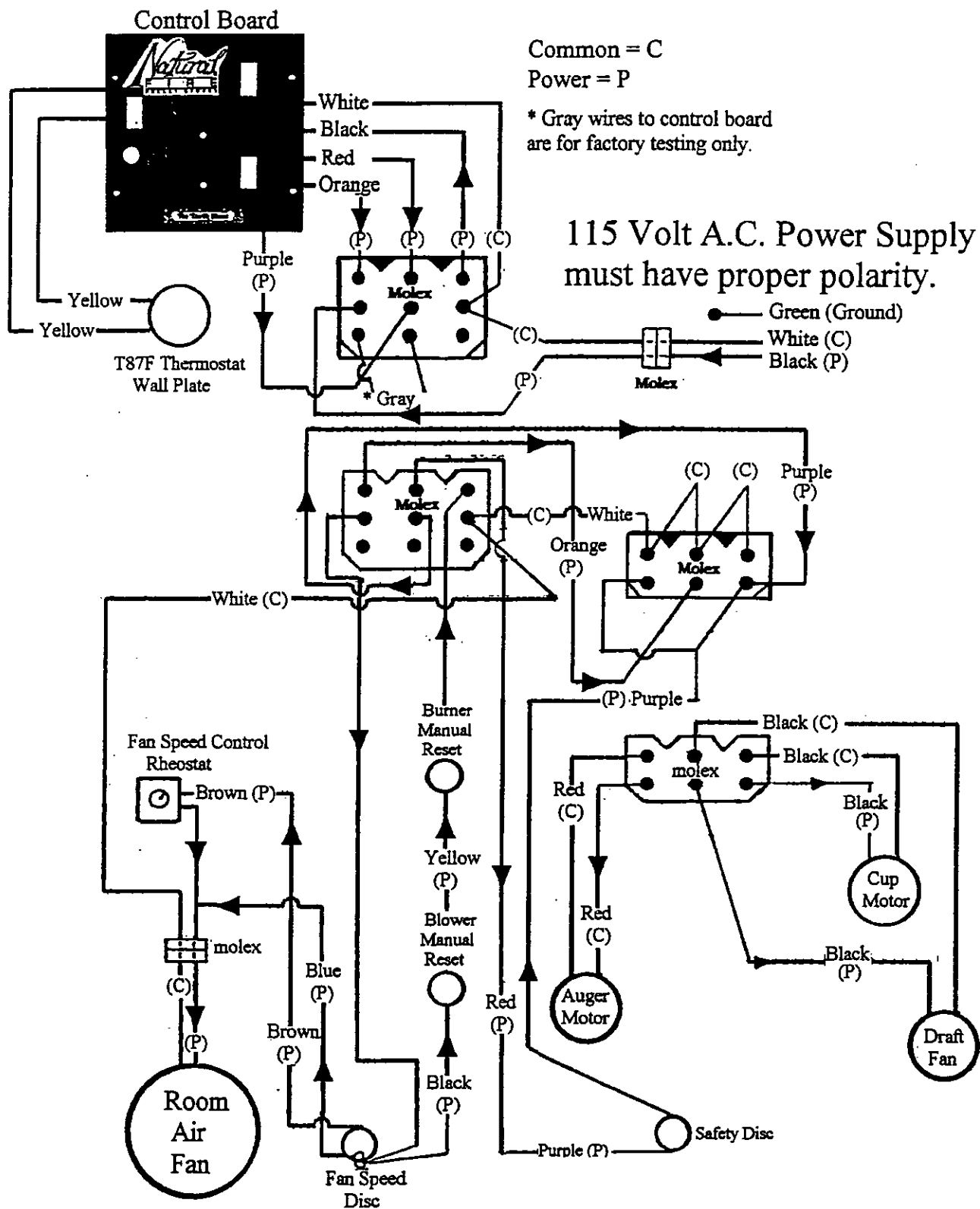
Follow the normal start up procedure. If the unit fails to start, check to be certain the leads to the safety disc are attached.

POWER FLOW DIAGRAM



Fan Speed Disc	60T13	L140-20F	P/N 15057
Blower Manual Reset	60T14	L200-40F	P/N 15011
Burner Manual Reset	60T14	L200-40F	P/N 15011
Safety Disc	60T12	F110-20F	P/N 11565

WIRING DIAGRAM - Model MP35/50



GLOSSARY OF TERMS

AUGER The auger transfers the fuel down the burner tube into the firepot.

AUGER MOTOR The auger motor drives the auger to deliver fuel to the firepot.

BLOWER HIGH LIMIT MANUAL RESET If the temperature of the stove reaches 200°F, the high limit manual reset will "POP" and stop the flow of electricity to the fuel feed system. This disc will require resetting by pressing the red button until it locks in (see page 24 showing location).

BURNER HIGH LIMIT MANUAL RESET If the temperature of the burner area reaches 200° F, the flow of electricity will be stopped to the feed system. This disc will require resetting by pressing the red button until it locks in (see page 24 showing location).

BURNER TUBE The burner tube contains two passageways; one for the auger and the other for combustion air. This tube supplies both the fuel and combustion air to the firepot.

CUP MOTOR The cup motor drives the fuel metering cup to deliver fuel to the auger.

DRAFT FAN Pushes air into the firepot for combustion and into the flue for draft.

FAN SPEED DISC At stove temperatures above 140° F, the fan speed disc activates, by passing the rheostat causing the room air fan to run at full speed.

FIREPOT The firepot is where combustion occurs.

FUEL METERING CUP The fuel metering cup meters the amount of fuel and delivers it down to the auger. The cup will deliver a set amount of fuel.

HOPPER . The hopper is where the pellets are stored and funneled down to feed the fuel metering cup.

MAIN POWER SWITCH The main power switch allows electricity to flow through the primary control board to the cup motor, auger motor and draft fan.

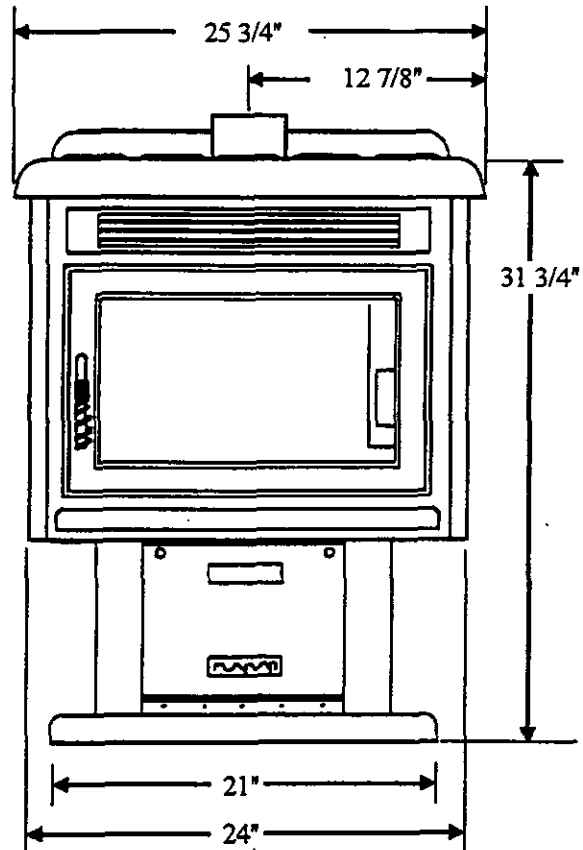
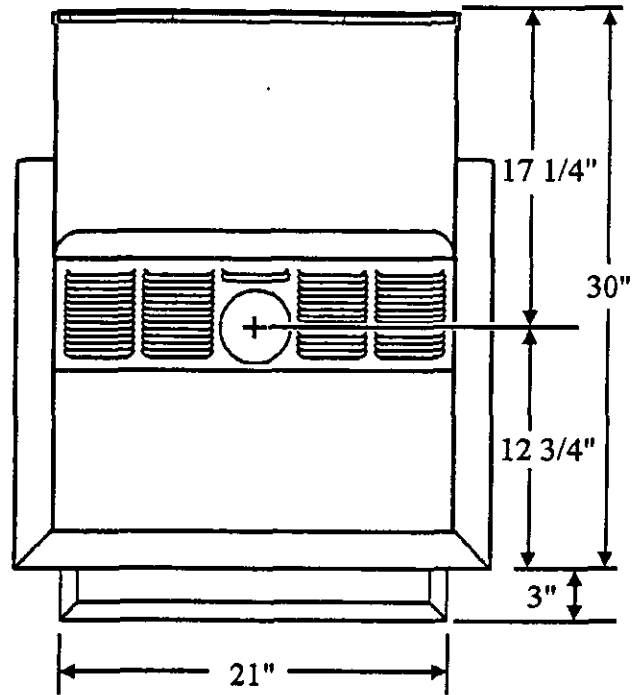
RHEOSTAT The Rheostat controls the speed of the room air fan. To vary the speed of the room air fan, rotate the rheostat dial to the desired setting. When the insert is hot (stove temperatures above 140° F.), the rheostat override (fan speed disc) will automatically run the fan on high speed to prevent the insert from overheating.

SAFETY DISC At stove temperatures above 110°, the Safety Disc engages to allow electricity to flow to the Fuel Feed System.

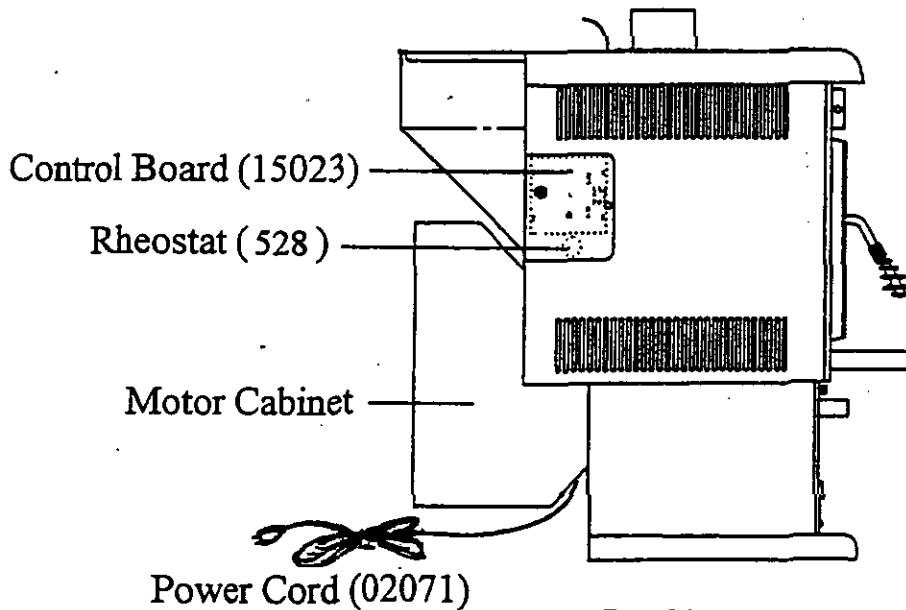
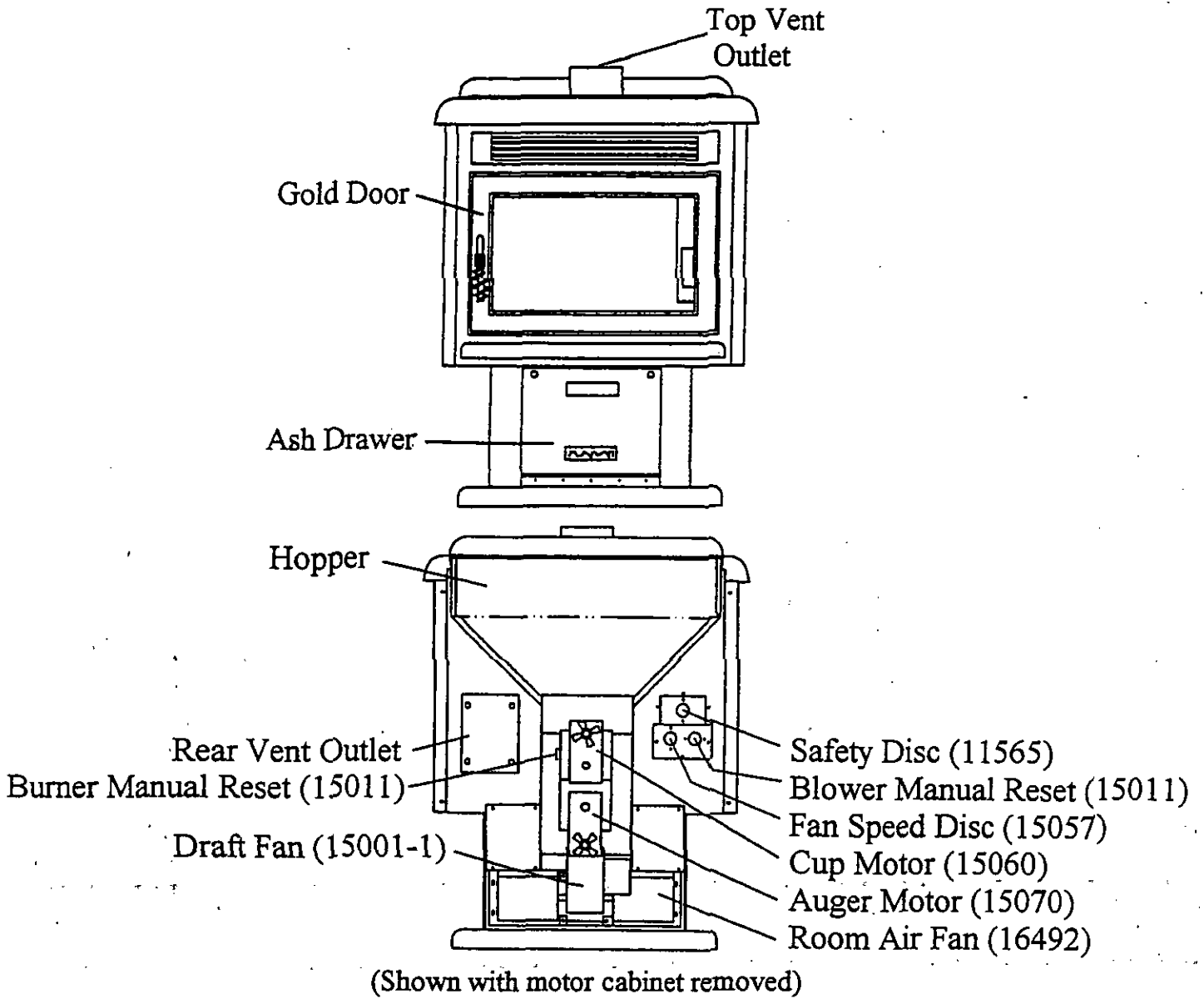
SPECIFICATIONS - Model MP35/50

Approx Sq Ft Heat Capacity	Up to 1800 Sq. Ft.
Flue Size	4" Top/Rear
Width	24"
Depth Overall	33"
Height Overall	33.5"
Height	31.75"
Floor to Rear Flue Center	17.5"
*L.H.Side of stove to cntr/flue	4.25"
Outside Air Provision	Yes
Floor Protection Requirements	
Mobile Home	Yes
Residentia	** No
Fuse	3 amp
Hopper Capacity	55 lbs
Heat Input (Max.)	35,000-50,000 BTU/hr
Ship Weight	350 Lbs.
Room Blower	210 CFM 1.2 amps
Cup Motor	Approx. 1 RPM .34 amps
Auger Motor	Approx. 6 RPM 1.12 amps
Draft Fan	Approx. 60 CFM .65 amps

- * Viewed from behind unit, facing forward.
- ** If installed on a solid level surface (no carpet).



COMPONENT DIAGRAMS



The Earth Stove® Pellet Appliance Limited Warranty

WHO IS COVERED:

The original purchaser.

WHAT IS COVERED:

100% of all parts to be free of defects in materials and workmanship (except marble, and glass).

FOR HOW LONG:

One year from date of purchase.
Marble is covered for 90 days.
Glass is covered for 30 days.

ADDITIONAL COVERAGE:

Electrical parts are covered 100% for two years from date of purchase.

The stove body, door frame, and heat exchange tubes are covered year two through five at the current retail price at time of repair or replacement, according to the schedule below:

Year 2 - 80% coverage
Year 3 - 60% coverage
Year 4 - 40% coverage
Year 5 - 20% coverage

Year two through five coverage excludes:

Gaskets/Rope
Baffles
Paint
Logs
Firepot

WHAT IS NOT COVERED:

- * The cost of inspection
- * Adjustments to the stove
- * Removal and reinstallation costs, shipping costs to and from factory and or authorized service center.
- * Shipping damage, improper handling, improper operation, misuse, abuse, neglect, accident, damage from improper installation, alteration, or unauthorized service.

ALL THE ABOVE MUST BE BORNE BY THE PURCHASER.

WHAT YOU MUST DO TO OBTAIN WARRANTY SERVICE:

Contact your selling dealer. Provide the following information to the dealer; Model number, Serial number, Date of Purchase, and Place of Purchase (if different).

OR

Prior to repair or replacement, send the defective part (Freight Prepaid) with the above information to:

The Earth Stove, Inc.
10595 SW Manhasset St.
Tualatin, OR 97062

IMPORTANT: THIS WARRANTY IS NOT VALID UNLESS:

- The warranty registration card has been properly completed and returned within 30 days of purchase.
- The defective stove or part(s) are promptly delivered, with **ALL FREIGHT AND HANDLING CHARGES PREPAID**, to The Earth Stove, Inc. or our authorized dealer from which the stove was purchased.
- When returning parts for warranty, do not cut wires, alter or disassemble part(s).
- The appliance must be installed by a Qualified Technician.

We shall not be liable for incidental or consequential damages or commercial loss, nor for any loss or damage except as set forth in this warranty.

This warranty gives you specific legal rights and you may have other rights which vary from state to state. Some states may not allow the limitations or exclusions set forth so the limitations or exclusions may not apply to you. No person is authorized to extend or enlarge any liability or obligation which we may have in connection with the sale of the stove.

RETAIN THIS FOR YOUR RECORDS

Model _____
* Serial Number _____
Dealer _____
Date of Purchase _____

* Serial Number Locations

Freestanding - on the back, above motor cabinet
Insert - inside hopper loading lid.

SAFETY/LISTING LABEL

INSTALLATION MUST BE MADE IN ACCORDANCE WITH LOCAL CODES AND THE MANUFACTURER'S INSTALLATION INSTRUCTIONS. OBTAIN A PERMIT.
L'INSTALLATION DOIT ETRE FAIT EN CONFORMANT AUX CODES LOCALES ET LES INSTRUCTIONS DU FABRICANT. ON DOIT OBTENIR UN PERMIS.



Manufactured by/Produit par
THE EARTH STOVE, INC.
10595 SW Manhasset Dr.
Tualatin, OR 97062

Pellet Fired Stove
Model Number MP 35-50

Le Fourneau: Brûle Des Boulettes
Le Modèle Numero MP 35-50

They warrant that it is a duplicate of the model tested.

Ils garantissent que c'était un double du modèle qu'était monté.

Testing and listing recognition is void if this label is removed or the unit is not installed according to directions.

Les épreuves et l'inscription de connaissance sont nuls si ce marque est enlevé ou si le fourneau n'est pas installé selon les instructions.

Com may be used as a fuel when fire pot, part number CP-1 is installed.

On peut employer le ble d'inde comme combustible quand le pot de feu a le part numero CP-1 est installé.

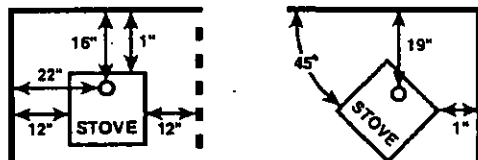
APPROVED FUEL: Pelletized biomass, 1/4" dia., 8500 BTU/lb., 10% moisture content, 1% ash, firing: 40,000 BTU/hr.

LE COMBUSTIBLE APPROUVE: Le Biomass des boulettes (1/4" de dia., 10% volume d'humide, 8500 BTU/lb., 1% de brene, taux de feu de 40,000 BTU/hr.)

Do not obstruct the space under heater.

N'obstruez pas l'espace sous le fourne

MINIMUM CLEARANCE TO COMBUSTIBLES



SUITABLE FOR RESIDENTIAL OR MOBILE HOME INSTALLATIONS

Suitable for mobile home installation; must use outdoor air kit part number 85.35. A hearth extension is required to satisfy federal regulations. See installation instructions.

IN THE UNITED STATES: Connect to minimum 4" dia. recognized class L chimney with 4" dia. galvanized steel pipe, 24 ga. min. on model MP 35-50.

AU CANADA: Employez seulement les composants d'éventer de "EARTH STOVE": Avec le dia. de 4". La pipe doit être d'acier galvanisé.

Replace glass only with ceramic glass part number 62000-7.

Remplacez le vitre seulement avec les vitres ceramiques, le part numero 62000-7.

POWER REQUIREMENTS: 5 Amps, 120 Volts, 60 Hz.

WARNING

- DO NOT INSTALL IN A SLEEPING ROOM.
- DO NOT OPERATE WITH FIRE BOX DOOR OPEN.
- INSPECT, CLEAN HEATER, AND VENT SYSTEM REGULARLY.
- DO NOT OPERATE THIS UNIT UNLESS YOU ARE FAMILIAR WITH THE PROCEDURE.
- NEVER ADD PELLETS BY HAND TO A SMOLDERING FIRE.

AVERTISSEMENT

- N'INSTALLER PAS A UNE CHAMBRE A COUCHER.
- N'EMPLOYEZ PAS QUAND LA PORTE DU POT DE FEU EST OUVERTE.
- VERIFIEZ ET NETTOYEZ LE FOURNEAU ET LE SYSTEME D'EVENTER AVEC ASSIDUETE.
- N'OPEREZ PAS CE FOURNEAU SAUF QUE VOUS CONNAISSEZ DE LA PROCEDURE.
- N'AJOUTER JAMAIS PAR LE MAIN UN FEU DE COMBUSTION LENTE.

CAUTION: HOT WHILE IN OPERATION. DO NOT TOUCH. KEEP CHILDREN, CLOTHING AND FURNITURE AWAY. CONTACT MAY CAUSE SKIN BURNS. SEE NAMEPLATE AND INSTRUCTIONS.

AVERTISSEMENT: LE FOURNEAU EST CHAUD EN OPERANT. NE LE TOUCHEZ PAS. NE PERMETTI PAS DE LE TOUCHER: LES ENFANTS, LES HABITS OU LES MAUBLES. SI ON LE TOUCHE AVEC LE PEAU, ON PEUT ETRE BRULE. VOYEZ LES INSTRUCTIONS ET LE PLAT DE NOM.

Listed by  Beaverton, OR, USA

MFG: THE EARTH STOVE, INC.
TUALATIN, OR 97062

MODEL: MP 35-50 PELLET FIRED STOVE

SERIAL NUMBER

THIS PELLET FIRED HEATING APPLIANCE HAS BEEN CONSTRUCTED, TESTED AND LISTED FOR USE IN STANDARD RESIDENTIAL CONSTRUCTION IN ACCORDANCE WITH THE APPLICABLE UL STANDARDS AND FOR USE IN MANUFACTURED DWELLINGS ACCORDING TO OREGON ADMINISTRATIVE RULES 918-520-010 THROUGH 918-520-110.

SEE MAIN LABEL AND INSTRUCTION BOOK FOR INSTALLATION AND VENTING REQUIREMENTS. THE MANUFACTURER WARRANTS IT IS A DUPLICATE OF THE MODEL TESTED.

SERVICE AND MAINTENANCE LOG

Service Date	Service Technician	Service Description



The One & Only™
EARTH STOVE



LENNOX HEARTH PRODUCTS
1110 West Taft Ave.
1 Orange, CA 92865-4150
Phone: (714) 921-6100