

3. Note the floor construction, i.e. 2 x 6's, 2 x 8's or 2 x 10's, single or double joists, type and thickness of floor boards.

4. Use this information and consult your local building code to determine if you need additional support.

CAUTION: DO NOT BLOCK THE HEAT CIRCULATING AIR INLETS AND OUTLETS. DOING SO MAY RESULT IN A POTENTIAL FIRE HAZARD.

If you plan to raise the fireplace and hearth extension, build this platform assembly, then position fireplace and hearth extension on top.

TO INSTALL:

Step 1: Slide fireplace into the prepared framing, or position fireplace in its final location for framing later.

Step 2: Insert the metal hearth strips, packaged with your fireplace beneath the fireplace as illustrated (Figure 7).

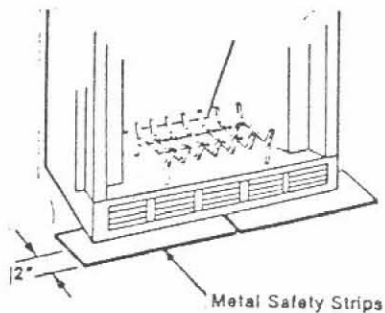


Figure 7

The hearth strips should extend in front of the fireplace two inches. In the event wooden blocking is used to elevate the fireplace above the floor, a "Z" type hearth strip should be fabricated and used to protect the front surface of

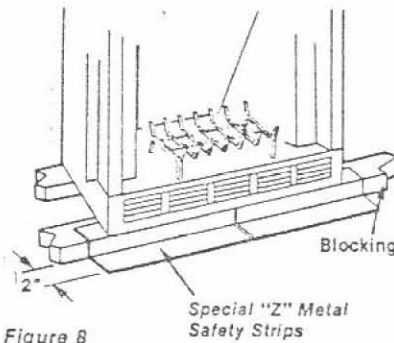


Figure 8

the blocking material as well as the floor beneath the hearth extension (Figure 8).

Step 3: Refer to fireplace drawings and specifications on (pages 8 and 9) for framing dimensions and details. Framing header may be positioned directly on top of the fireplace spacers.

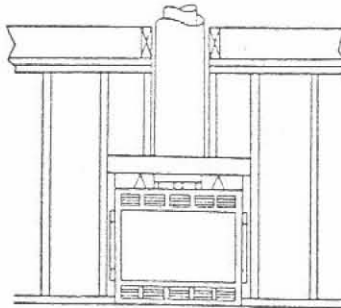


Figure 9

CAUTION: THE STRUCTURAL INTEGRITY OF A MANUFACTURED HOME FLOOR, WALL AND CEILING/ROOF MUST BE MAINTAINED.

Step 4: Fireplace should be anchored to floor (in manufactured housing, fireplace MUST BE anchored to the floor). Bend down four (4) anchor tabs located at base of fireplace and secure to floor with screws or nails (see Figure 10).

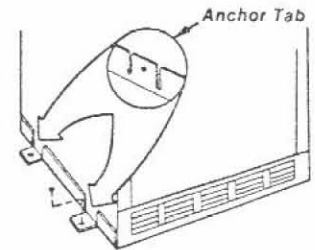


Figure 10

Step 5: Secure fireplace to side framing members utilizing appropriate nailing flange using 8d nails (see Figure 11).

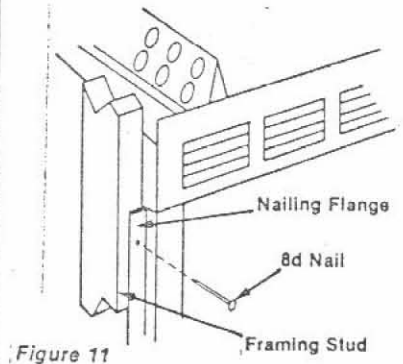
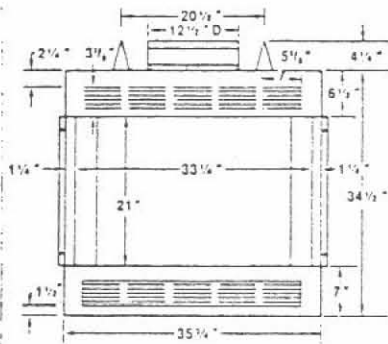


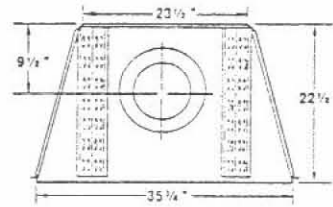
Figure 11

FIREPLACE SPECIFICATIONS

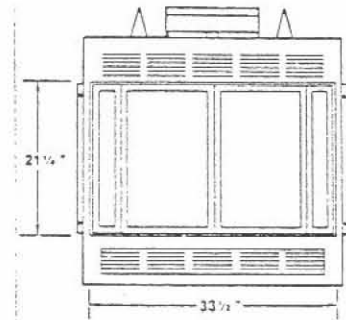


HC-3320
Without Glass Doors

Figure 12

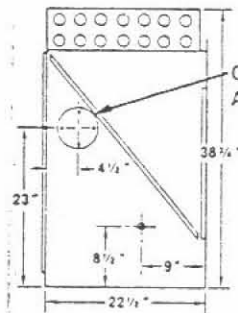


Top View



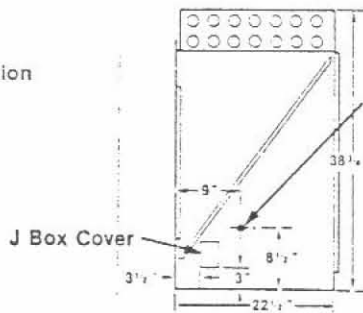
HC-3320
With Glass Doors

Figure 16



Left Side

Figure 14

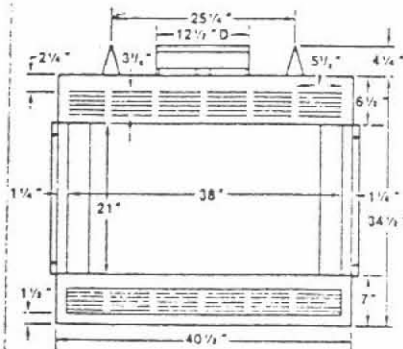


Right Side

J Box Cover

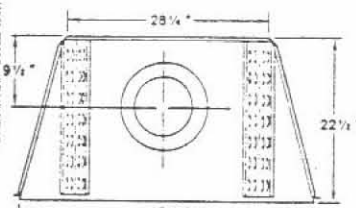
Gas
Knockout

Combustion
Air Inlet

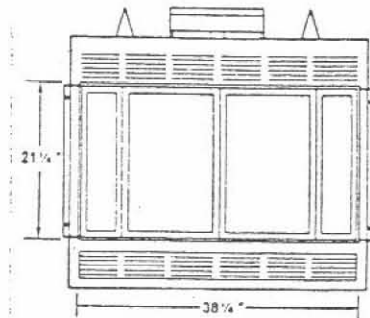


HC-3820 and 38B
Without Glass Doors

Figure 13

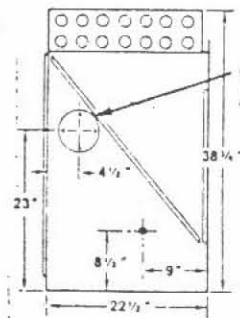


Top View



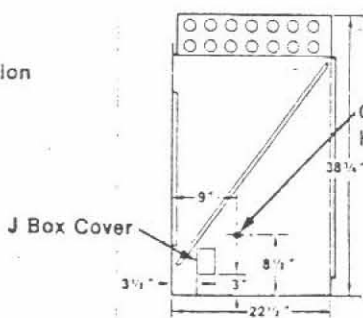
HC-3820 and 38B
With Glass Doors

Figure 17



Left Side

Figure 15



Right Side

J Box Cover

Gas
Knockout

Combustion
Air Inlet

FRAMING SPECIFICATIONS

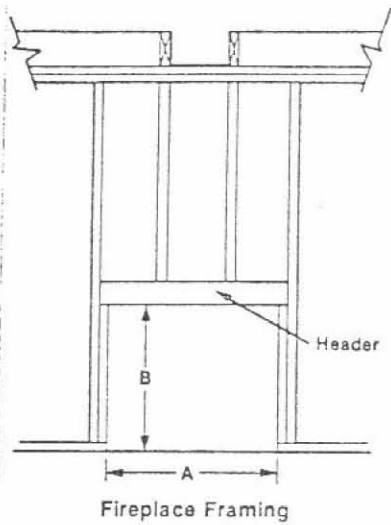


Figure 18

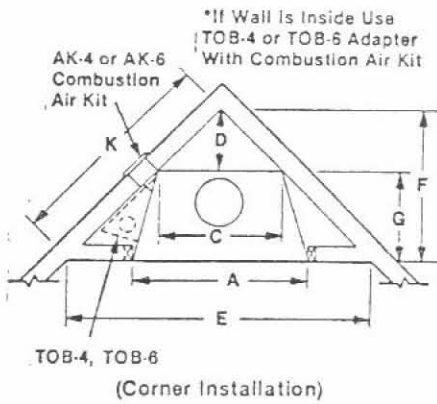


Figure 19

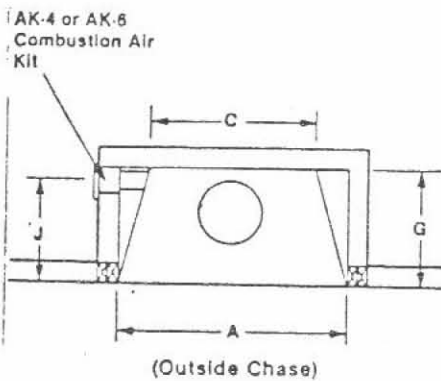


Figure 20

AK-4 or AK-6
Combustion Air Kit

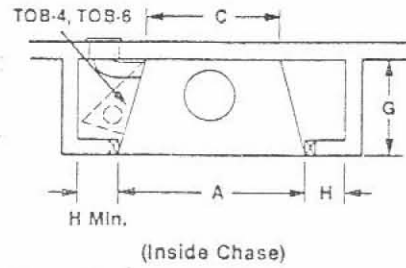
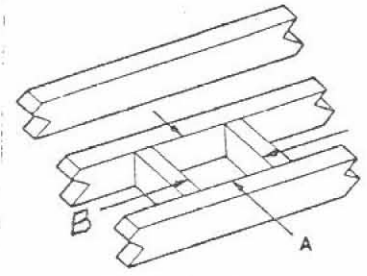


Figure 21

HC AND B FRAMING DIMENSIONS

Installation	Models	Models
	HC-3320	HC-3820 38B
A	36"	40 ³ / ₄ "
B	39"	39"
C	23 ¹ / ₂ "	28 ¹ / ₄ "
D	11 ³ / ₄ "	14 ¹ / ₈ "
E	68 ¹ / ₂ "	73 ¹ / ₄ "
F	34 ¹ / ₄ "	36 ⁵ / ₈ "
G	22 ¹ / ₂ "	22 ¹ / ₂ "
H Without *	3"	3"
H With *	8"	8"
J	18"	18"
K	48 ¹ / ₂ "	51 ¹ / ₄ "

*Combustion Air Kit
AK-4, AK-6

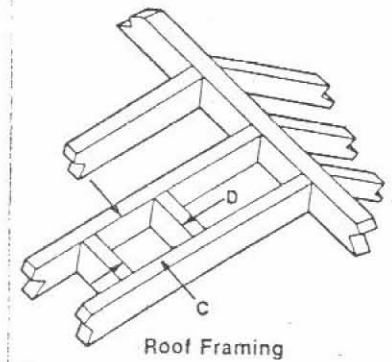


Ceiling Framing

Figure 22

FRAMING DIMENSIONS FOR CEILING

Type Flue	Ceiling Opening	
	A	B
TF8, Vertical	14 ¹ / ₂ "	14 ¹ / ₂ "
TF8, Offset 30° (Offset applied only to ceiling openings)	14 ¹ / ₂ "**	25"



Roof Framing

Figure 23

FRAMING DIMENSIONS FOR ROOF

Type Flue	Roof Opening		
	Pitch	C	D
TF8, Vertical	0/12	14 ¹ / ₂ "	14 ¹ / ₂ "
	6/12	14 ¹ / ₂ "	17"
	12/12	14 ¹ / ₂ "	21 ¹ / ₂ "
	60°	14 ¹ / ₂ "	30"