



Model No. FW240007/FW240008

This unit has been listed by Warnock Hersey Limited to meet or exceed ULC S-627 Canada and UL 1482 U.S.

Contact your local building inspector prior to installation. A permit maybe required in your area.

This manual describes the installation and operation of the Model FW240007/FW240008 non-catalytic wood heater. This heater meets US Environmental Protection Agency's emission limits for wood heaters. Under specific conditions this heater has been shown to deliver heat at rates ranging from 10,467 to 26,100 BTU per hour.

**6" Flue Required**

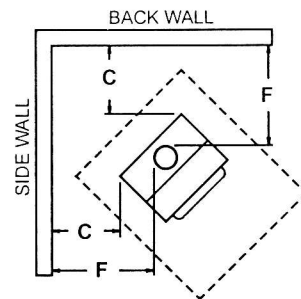
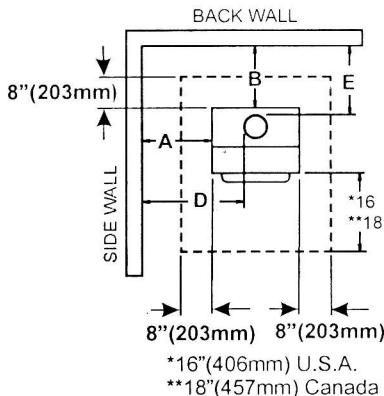
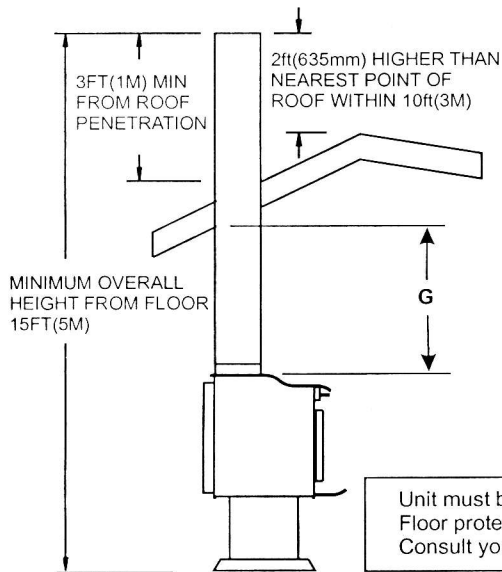
Figure A: Clearance from combustible constructions

A minimum clearance of 18" (457mm) to the chimney connector may be required by the authority having jurisdiction.

From Heater

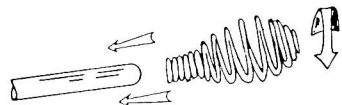
From Chimney Connector

- A Sidewall..... 18" (457 mm)
- B Backwall.....15" (381 mm)
- C Corner.....7" (175 mm)
- D Sidewall.....25-1/4" (648 mm)
- E Backwall.....17-1/2" (445 mm)
- F Corner.....15" (381 mm)
- G Ceiling.....56" (1422 mm)



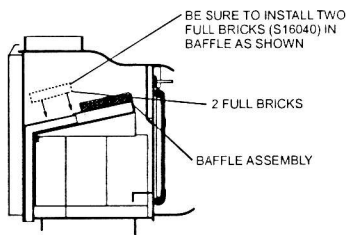
**Figure "A"**

Unit must be placed on a noncombustible floor protection equivalent to 3/8" millboard. Floor protector must have min. R value of .46 Consult your local building authorities for further information.



**HANDLE**

Twist spring handle **SPRING** in counter clockwise motion while pushing on to handle; spring handle will "thread" down to desired location.



BE SURE TO INSTALL TWO FULL BRICKS (S16040) IN BAFFLE AS SHOWN

2 FULL BRICKS  
BAFFLE ASSEMBLY

**CAUTION:** Do not open fire-door to a point where it would be in contact with the combustible sidewall.

**OPTIONAL FAN**

An optional heat exchange blower is available for this wood burning appliance. To order please see the local dealer where you purchased your appliance.

**CAUTION: BRICK FOR ASH DRAWER MUST BE INSTALLED BEFORE OPERATION OF WOOD HEATER**



**Inlet Air Control Settings**

Desired Burn Setting	Inlet Air Setting	**Approx. BTU Output
Low	Closed Fully	10,467
Med / Low	1/4 Open	12,118
Med / High	3/4 Open	19,413
High	Fully Open	26,100

\*\*Performance may vary depending on actual home operating conditions