

INSERT SPECIFICATIONS

HEIGHT	27-3/4''
WIDTH	48-3/4''
DEPTH	30''
LOG SIZE	24'' MAX.
WEIGHT	500 LBS.

Minimum Fireplace Opening Size:

29'' wide, 22'' high and 14'' deep

Maximum Fireplace Opening:

46'' wide, 32'' high

CAUTION

Hot while in operation do not touch. Keep children, clothing and furniture away. Contact may cause skin burns. See name plate and instructions. For use with solid wood fuel only. Keep furnishings and other combustible materials far away from the appliance. Do not overfire-if heater or chimney connector glows you are overfiring. Prevent creosote fire: inspect chimney connector and chimney twice monthly and clean if necessary. Do not use grate or elevate fire. Build wood fire directly on hearth. Open damper before opening doors. Keep loading door closed during operation to avoid developing excessive temperatures.

CHIMNEYS

Before installing your insert to an existing chimney, care should be taken to see that the chimney is sound. There should be no cracks, holes or loose mortar. If any of these conditions exist, they should be repaired before continuing your installation. The fireplace insert is intended only for installation in a masonry fireplace constructed in accordance with the requirements of the standard for CHIMNEYS, FIREPLACES and VENTS, NFPA 211, or applicable local code requirements. Keep in mind that the minimum flue size is 175 sq. in.

A chimney should extend at least three (3) feet above the highest point where it passes through the roof and at least two (2) feet higher than any portion of a building within ten (10) feet of the pipe.

FIREPLACE INSERT INSTALLATION

1. Secure the fireplace damper in the open position. If this cannot be accomplished it will be necessary to remove the damper.
2. When installing insert, a direct connection between the insert flue outlet and the chimney flue must be made. (Country Comfort Direct Connect Kit #KT355 is available for this purpose).
3. Insert the flexible adapter pipe through the damper and up into the chimney flue (some dampers may require some modification). Push pipe up into chimney flue until it is approximately the same height off the hearth as the fireplace opening height. (See Figure 1).
4. Install flue adapter plate to insert with (2) #10-24 Hex Head screws provided. (See Figure 1). (NOTE: If fireplace opening is less than 28 inches high the flue adapter plate must be fastened to the end of the adapter pipe with the (2) #8 Phillips Head sheet metal screws. It will be fastened to the insert after insert is installed in the fireplace.)
5. Mount the (2) face plate support channels with the (4) 5/16-18 Hex Head screws provided. Cut (2) 21 1/2 inch lengths of the fiberglass insulation and attach to rear of insert at sides as shown in Figure 2. Use double sided tape or a contact adhesive.
6. Next check the levelness of the hearth, front to back and side to side, with a level. If the rear is level to or higher than the front, leave the rear leveling screw at minimum setting. If the rear is lower than the front adjust rear leveling screw to required height.
7. Prepare to slide insert back into fireplace. Placing a strip of light gauge metal (shipped loose inside insert) in the center for the rear leveling screw to slide on. Slide insert all the way into fireplace until sides contact fireplace face.
8. Reach in above insert and pull flue adapter pipe down into flue adapter and install the (2) #8 Phillips Head sheet metal screws provided. (NOTE: If the fireplace opening is too small to gain access above the insert, the plate must be fastened to the insert from the inside. Open doors, remove baffle, and reach up through flue opening to install the (2) #10-24 Hex Head screws.)

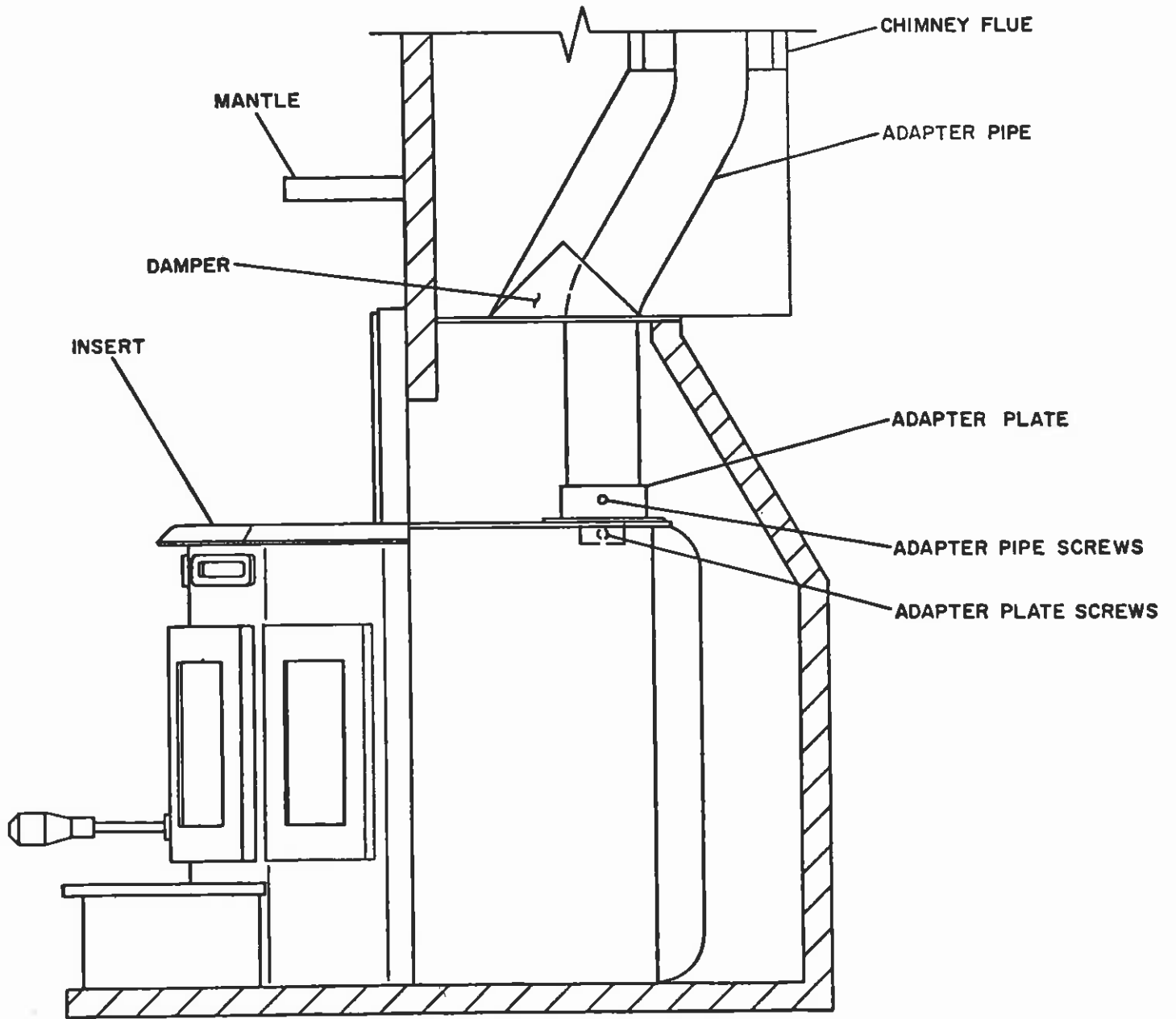


FIGURE 1

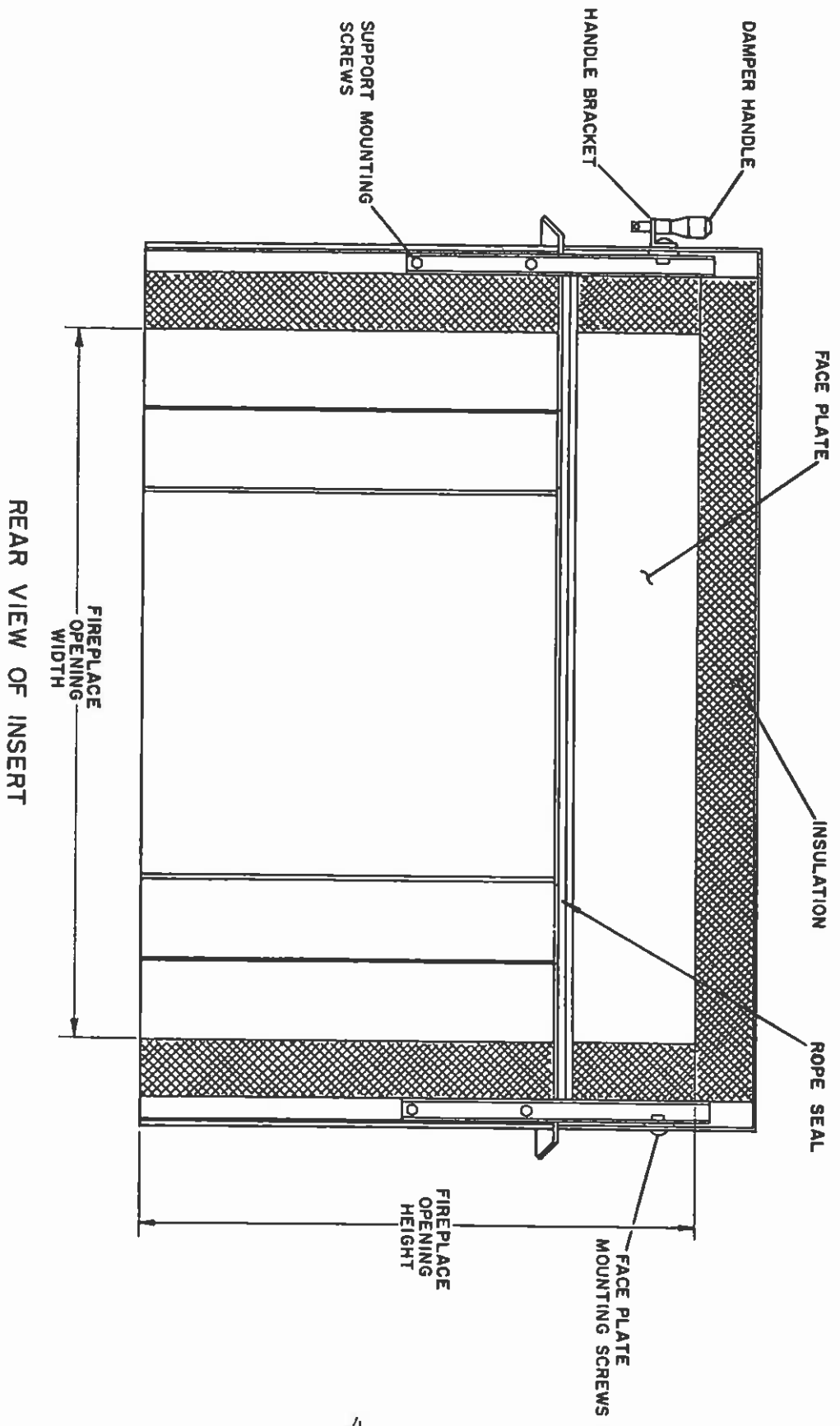
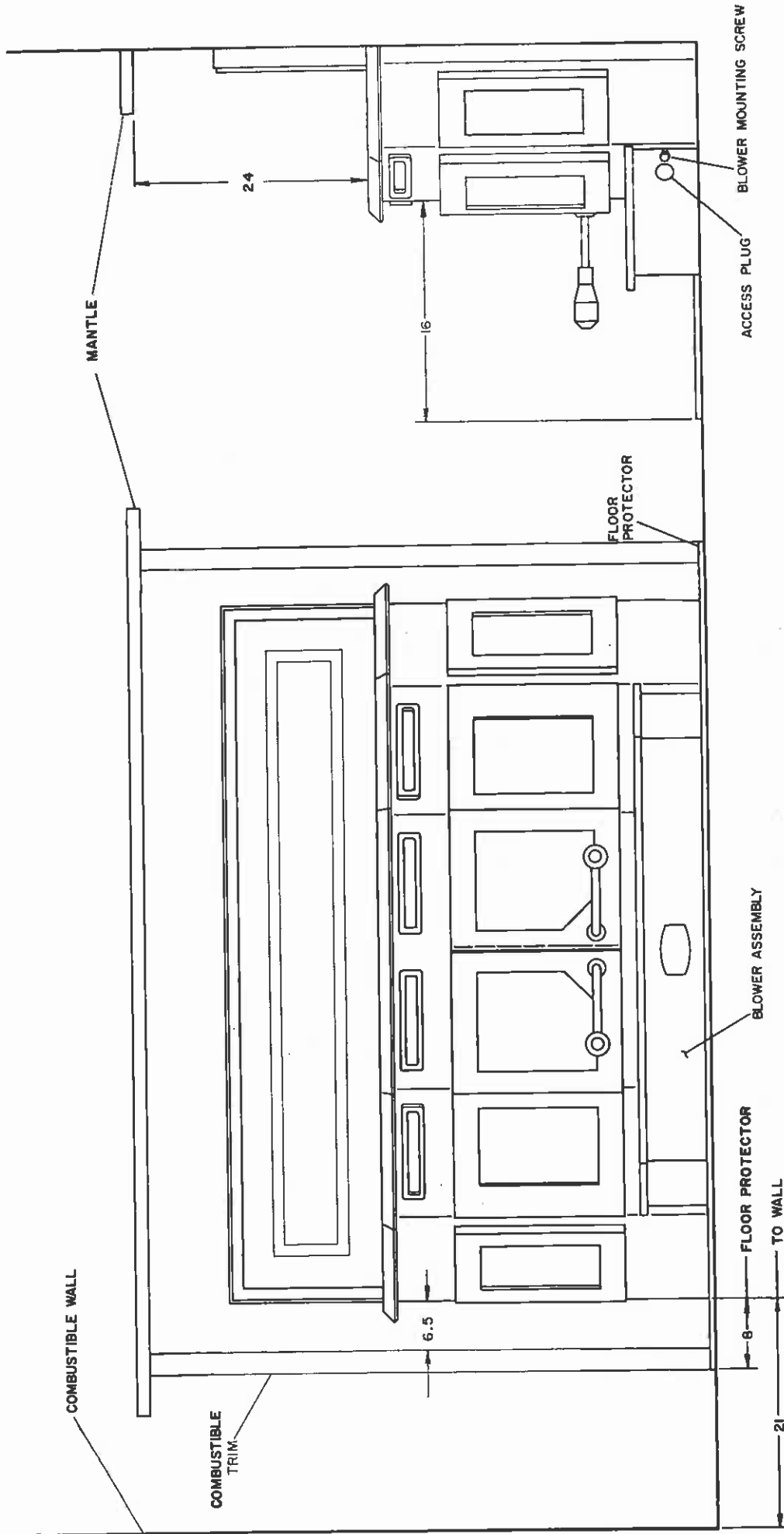


FIGURE 2



MINIMUM CLEARANCE TO COMBUSTIBLE MATERIALS (INCHES)

FIGURE 3

BLOWER ASSEMBLY

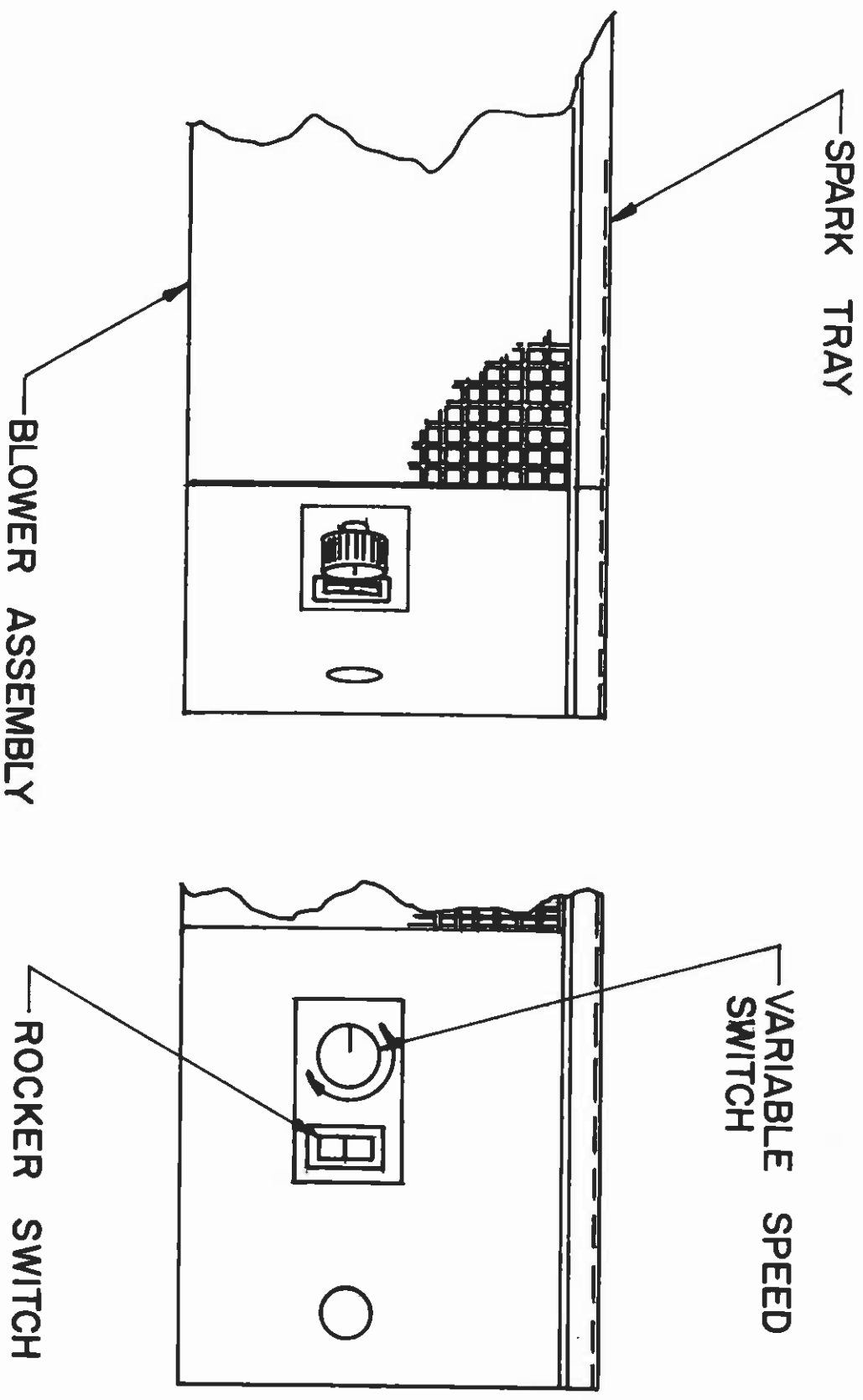
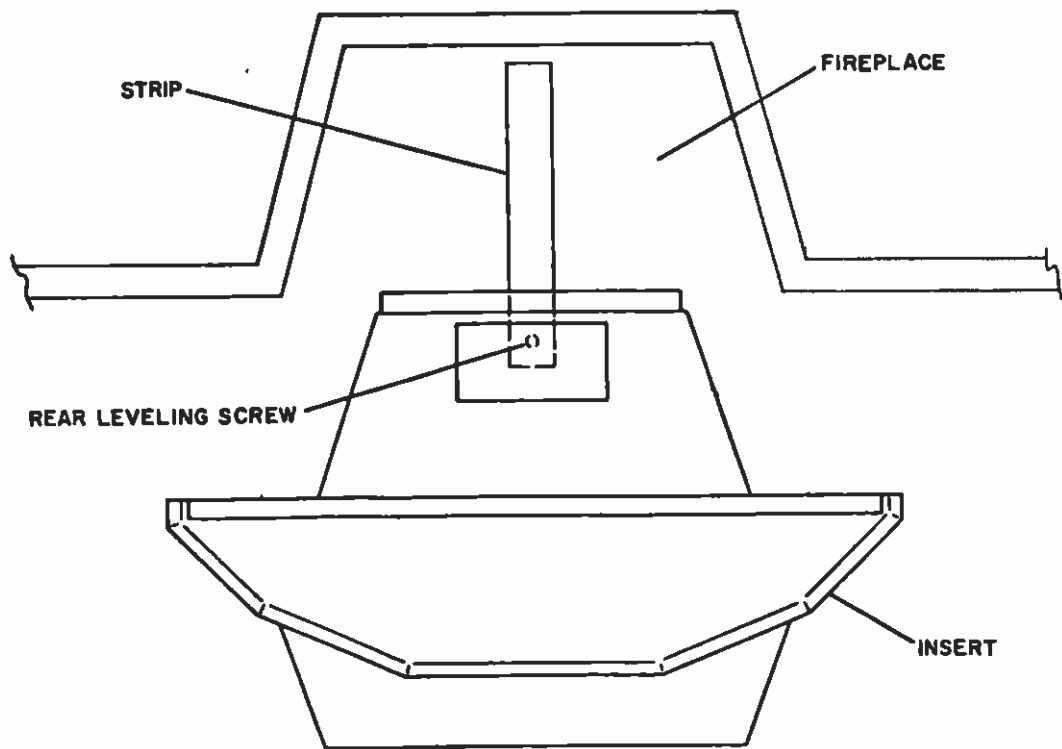


FIGURE 4

ATTENTION

The strip of light gauge sheet metal which has been shipped inside of the insert firebox is to help you install the insert. Before sliding insert into fireplace lay strip in center of fireplace from front to back. This is for the rear leveling screw to slide on and will allow it to slide much easier.



9. Make final leveling adjustments with the front (2) leveling screws (they can be reached through the air intake holes along the bottom).
10. Attach insulation strips to the back of the face plate as shown in Figure 2. Install face plate with the (2) 5/16-18 Phillips Head screws provided. Make sure the insert and face plate are tight against the fireplace face.
11. Snap mounting screw access plugs out of blower housing. (See Figure 3). Position blower assembly in front of insert and align with mounting holes in face of insert. Install two (2) 1/4-20 blower mounting screws (these screws are self-tapping use a large screwdriver or a socket set).
12. Snap plugs back into access holes. Place spark tray on top of blower assembly. (See Figure 3)
13. A floor protector of (1) layer of 3/8" thick millboard having a thermal conductivity of $K = 0.84 \text{ BTU-IN/FT}^2\text{-HR-F}^\circ$ to be positioned around insert. For fireplaces with openings up to 6 sq. ft. the floor protector to extend 16" in front of the insert and 8" beyond the sides. (See Figure 3) For larger fireplace openings the floor protector to extend 20" in the front and 12" beyond each side.
14. Have your installation inspected by the local fire marshall and inform your insurance company.

OPERATING INSTRUCTIONS

The CC300 & CC300s Fireplace Inserts are provided with manual air controls located at the sides of the unit. They will control the amount of combustion air available to the fire and should be open before starting the fire. Also open damper located in the front top center by pulling the rod completely out. Use the wood handle located on the side of faceplate to open damper.

To start the fire, place crumpled newspaper on the firebox bottom and cover with kindling wood. Light the paper in several places. Close the doors enough to prevent smoke from spilling into the house. Larger pieces of wood can be added when the kindling is burning well. The use of well seasoned wood is recommended.

Once the fire is well established the doors can be closed and the damper closed by pushing the rod in and the air controls adjusted to obtain the desired heat output. It will be necessary to experiment with the air control setting to determine the proper setting.

Always remember to open the damper before opening the doors. This will reduce the chance of accidental smoke spillage into the house.

When burning the insert with a low fire, smoke and on the glass may occur. It will usually burn off if a hot fire is built.

NOTE:

Never use gasoline, gasoline-type lantern fuel, kerosene, charcoal lighter fluid, or similar liquids to start or "freshen up" a fire. Keep all such liquids well away from the fireplace accessory while it is in use. When opening the doors with the insert in operation, the right hand door should be opened one-half inch for approximately fifteen seconds before opening it completely. This will help eliminate the sudden burst of flame caused by introduction of air and will allow smoke to move out of the insert more completely.

SEASONED WOOD

Green or wet wood should not be used in your appliance. Wet or green wood creates a very slow fire and a lot of gases that form creosote in the chimney. It takes a very hot fire to draw moisture out of the wood before it can ignite. Green wood should be allowed to dry for at least 6 months (1 year is preferred).

Split wood should be stacked and covered to allow air to flow over wood and dry properly. Wood cannot be left to sit in any kind of wet or damp area or it will never become completely seasoned. Dry seasoned wood will burn completely and produce the proper BTU's to create a hot fire. In the following table the BTU rating is assuming 20% moisture content.

COMMON FIREWOOD

Type of Wood	Splitting	BTU's Per Cord	Comments
Oak	Fair	27 million	Excellent Fuel
Walnut	Fair	24 million	Excellent Fuel
Elm	Doesn't	23 million	Poor Fuel
Maple	Fair	22 million	Fuel
Birch	Hard	19 million	Aromatic
Cherry	Fair	19 million	Aromatic
Fir	Easy	18 million	Kindling
Ash	Well	17 million	Good Fuel
Cedar	Very Well	15 million	Noise & Sparks
Pine	Very Well	13 million	Kindling
Redwood	Fair	11 million	Kindling

BREAK IN PERIOD

It is possible that the insert may smoke during the first few fires. The first four or five fires should be small slow fires, this allows the cast iron to cure and the insert metal to temper. Adequate room ventilation should be used in case of smoking.

BLOWER CONTROLS AND OPERATION

Plug power supply cord into nearby outlet and route cord away from insert. To operate blower with the rocker switch in the manual position, turn the variable speed switch knob clockwise to the desired airflow. To shut blower off, turn knob counter clockwise to off position. To operate blower with the rocker switch in the automatic position, turn the variable speed switch knob clockwise to the desired air flow position. The blower will turn on automatically when the insert reaches the preset temperature and off automatically when the insert cools down. (See fig. 4)

PREPARING THE STOVE TO HOLD FIRE OVERNIGHT

Fill the insert about one-half to two-thirds full of good properly seasoned wood. Adjust the air intakes to approximately one-half of full opening. It might be necessary to vary air settings slightly to maintain proper air supply to keep fire burning. As you gain experience with your insert, you will discover the settings which produce the amount of heat and provide the length of burn time best suited for your heating needs.

EMERGENCY PROCEDURES

If you should experience an uncontrollable fire or chimney fire, do the following immediately:

1. Close doors and draft controls on the insert. This will starve the fire and cause it to die down.
2. Call your local fire department as soon as possible.
3. Carefully examine the insert, chimney and building to be sure that no damage has been incurred, if so, repair before you use the insert again.

CREOSOTE-FORMATION AND NEED FOR REMOVAL

When wood is burned slowly, it produces tar and other organic vapors, which combine with expelled moisture to form creosote. The creosote vapors condense in the relatively cool chimney flue of a slow-burning fire. As a result creosote residue accumulates on the flue lining. When ignited this creosote makes an extremely hot fire. The chimney should be inspected at least twice monthly during the heating season to determine if a creosote buildup has occurred.

If creosote has accumulated, it should be removed to reduce the risk of a chimney fire.

ASHES

Ashes should not be allowed to built up higher than the lower edge of the door opening. Allow insert to cool before removing ashes.

DISPOSAL OF ASHES

Ashes should be placed in a metal container with a tight fitting lid. The closed container of ashes should be placed on a noncombustible floor or on the ground, well away from all combustible materials, pending final disposal. If the ashes are disposed of by burial in soil, or otherwise locally dispersed, they should be retained in the closed container until all cinders have thoroughly cooled.

CAUTION!

The cabinet, cast iron doors, and other parts of the insert get very hot when the insert is in use. Fireproof gloves should be worn at all times when tending the fire, removing ashes or any other time direct contact with hot parts is possible.

MAINTENANCE INSTRUCTION

1. At the beginning of each heating season the fireplace insert and chimney should be inspected to see that it is in good working condition. The chimney should be cleaned of creosote and other residues.
2. The firebrick lining of your insert should be checked at least once a year. Should you discover any broken firebricks they should be replaced. New firebrick can be obtained from your COUNTRY COMFORT dealer.
3. The blower motor should be oiled once every six (6) months with SAE #20 oil. To gain access to the (2) oil holes on the motor lift off the spark tray and remove the (2) snap-in plugs above the motor. After oiling, snap plugs back into holes and replace spark tray.

For further information using your heater safely, obtain a copy of the National Fire Protection Association publication "Using Coal and Wood Stoves Safely" - NFPA No. HS - 10 - 1978. The address of the NFPA is Batterymarch Park, Quincy, MA 02269. Some additional publications of interest from the NFPA are as follows:

Heat Producing Appliance Clearances (NFPA#89M)
Chimneys, Fireplaces and Vents (NFPA#211)

Reprints and excerpts from NFPA 211, 1980 and NFPA HS - 10 - 1978 are reprinted with permission. National Fire Protection Association, Batterymarch Park, Quincy, MA 02269.

SAVE THESE INSTRUCTIONS!

COUNTRY COMFORT APPLIANCE LIMITED WARRANTY

Under the conditions of this warranty, the manufacturer of the COUNTRY COMFORT appliance warrants that the appliance is free from defects in material and workmanship for normal home use. The obligation under this warranty shall be limited to repair and/or replacement of any part or parts of the appliance which prove defective under normal home use and service within five (5) years from the date of sale of the appliance to the original purchaser and which shall be found defective by the manufacturer or its authorized agent. This warranty is expressly in lieu of all other warranties expressed or implied, including warranties by statute, operation of law, or otherwise.

Manufacturer assumes no obligations or liabilities except as stated in this limited warranty which is provided for the purpose of stating the total obligations and liabilities under which manufacturer sells the appliance and to provide the original purchaser with an express, extended limited warranty. No person is authorized to bind manufacturer to any obligation or liability and this warranty expresses the legal obligations of the manufacturer to the original purchaser. No obligation is assumed with respect to any other party. Manufacturer assumes no liability or obligation for any unit or accessory altered by purchaser.

This warranty does not apply to this appliance or any part thereof which has been subject to accident, negligence, alterations, abuse or even if used only for home applications. The manufacturer, Orrville Products, Inc., makes no warranty whatsoever in respect to accessories or parts not manufactured by Orrville Products, Inc., and which bear the name of the actual manufacturer. As to such items, the limited warranty of the accessory or part, to the extent allowed, is transferred from Orrville Products, Inc., to the original purchaser. Paint finish, fire brick and glass are expressly excluded from this warranty.

The original purchaser, as used in this warranty, shall be that person to whom the COUNTRY COMFORT appliance is originally sold for home use.

This warranty shall be effective only if the original purchaser of the COUNTRY COMFORT appliance is registered with Orrville Products, Inc., by sending this warranty form to Orrville Products, Inc., within thirty (30) days of the date of purchase or the date upon which the original purchaser takes possession of the appliance, whichever comes first. Such registration or the failure to register shall not be deemed to create any obligation or liability by the manufacturer and this warranty with its conditions and limitations shall be the only procedure for obtaining any rights against the manufacturer and expresses the sole obligations and responsibilities of the manufacturer which are offered to the original purchaser and accepted upon purchase of the appliance.

Any cause of action by the original purchaser against the manufacturer under this warranty can be only at the situs of Orrville Products, Inc., and the laws of the State of Ohio shall be applicable to this warranty.