

C. Adjust the Leg Levelers

Lift the stove slightly so there is no weight on the leg while making the adjustment.

D. Reverse Flue Collar (If necessary)

Reverse the flue collar by removing the two screws that attach it to the back of the stove. Be sure the gasket around the flue collar opening is in position when you screw the collar back onto the stove.

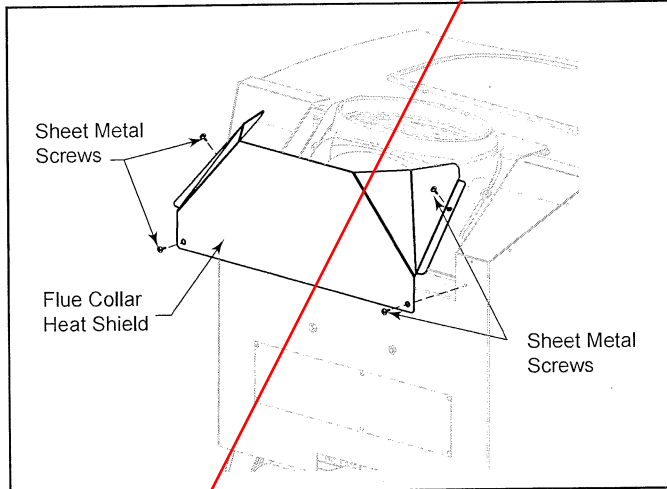


Figure 3.5 - Install flue collar heat shield.



WARNING

The flue collar heat shield must be installed in all vertical installations. The flue collar heat shield is not used when the flue collar is in the rear exit position.

E. Attach Damper Handle

Use the 1/4"-20 x 3" screw to attach the damper handle to the damper stub on the left side.

F. Install Catalyst Temperature Probe

To install the catalyst temperature probe, remove the hole plug from the cast iron wall behind the rear shield, Figure 3.6. Use two #10 sheet metal screws and bracket supplied, secure the bracket and probe to the back of your stove, Figure 3.6.

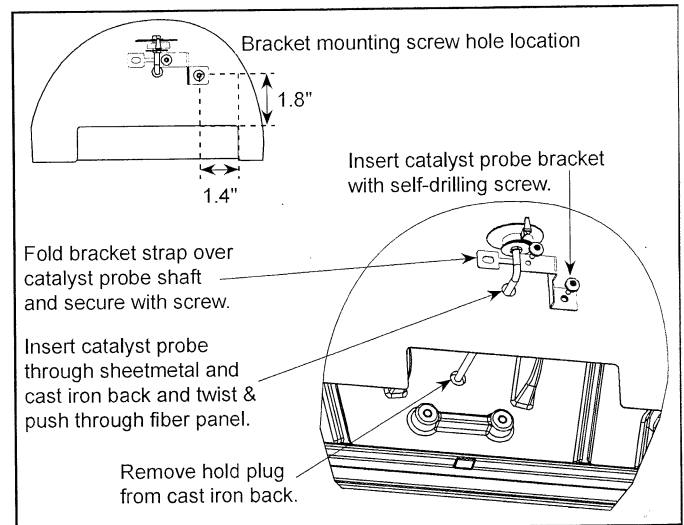


Figure 3.6 - Install the Catalyst Temperature Probe

G. Attach Primary Air Thermostat Handle

The primary air thermostat handle is the smaller of the two black handles. Secure the handle to the stub on the right side of the stove with an 8-32 x 2" slot head machine screw, Figure 3.7.

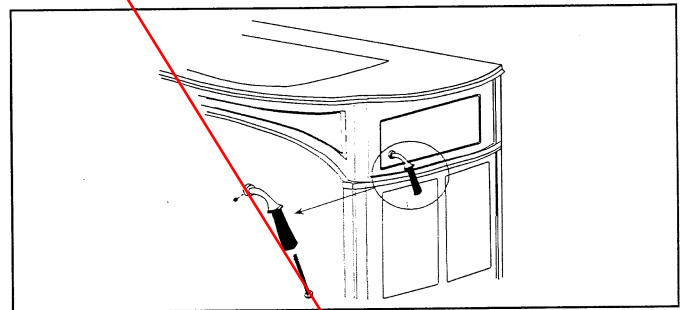


Figure 3.7 - Attach the thermostat handle.

H. Assemble the Removable Insert Handle

The wooden removable insert handle opens and closes the front doors. Remove after each use, and store it in the handle holder behind the right front leg. Assemble the handle by passing the 3-3/8" screw through the wooden shaft and into the bright metal nub, Figure 3.8. Tighten carefully until snug.

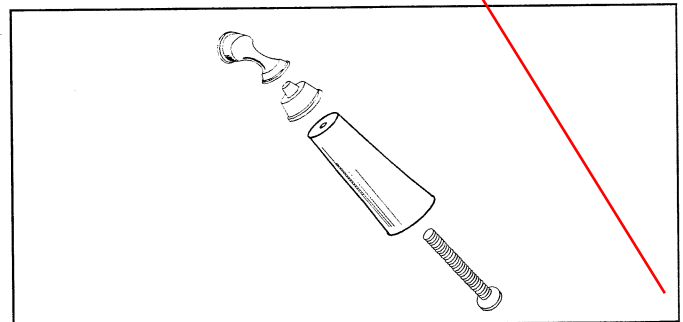


Figure 3.8 - Assemble the front door handle.