



RSF
WOODBURNING FIREPLACES

2021

Experience the calming beauty of RSF fireplaces and the real wood fire.

“Just like Sunday dinner doesn't come out of a can and fine wine doesn't come out of a box, a real fire doesn't come out of a pipeline.”

Nothing can replace the warm embrace of a real wood fire. A wood fire gives off a special kind of warmth that penetrates and soothes. It's true that burning wood in your fireplace isn't as convenient as burning gas. But like all of life's best things, that little extra effort makes a world of difference.

Just like Sunday dinner doesn't come out of a can and fine wine doesn't come out of a box, a real fire doesn't come out of a pipeline.

If it's a real fire...it's wood. And if it's a clean burning efficient wood fire... it's probably an RSF fireplace.

So come in, relax, kick off your shoes and leave your frantic life at the door. Experience the calming beauty of RSF fireplaces and the real wood fire.



RSF is a proud supporting member of:





Contents

- 4 The RSF Built-in Advantage
- 5 The RSF Comfort Advantage
- 6 The RSF Smart BurnRate Air Control
- 7 Catalytic or Non-Catalytic Series: Choosing What's Right for You
- 8 Focus 3600 Fireplace
- 10 Pearl 3600 Fireplace
- 14 Focus SBR Fireplace
- 16 Delta Fusion Fireplace
- 18 Opel Keystone Catalytic Fireplace
- 20 Opel 2 Plus Catalytic Fireplace
- 22 Opel 3 Plus Catalytic Fireplace
- 24 Focus ST Fireplace
- 26 Chimney Safety and Performance
- 26 RSF Convenience
- 27 RSF Heat Distribution
- 29 RSF Performance
- 29 RSF Accessories
- 30 RSF Specifications
- 31 Burning Wood in an RSF Fireplace is Good for the Environment



THE RSF

BUILT-IN ADVANTAGE

A fireplace is one of the most sought after features in a home and will increase its resale value more than a freestanding wood stove. RSF wood-burning fireplaces perform like wood stoves, but provide the aesthetic appeal of a fireplace.

Consider for a moment the comfort and beauty of a real wood-burning fireplace. A warm hearth welcomes family and friends, while the mantel displays treasured memories. That is the built-in advantage of RSF.



THE RSF
COMFORT ADVANTAGE

Feeling a chill? Feeling too warm?
Customize the airflow in your home.

The built-in nature of RSF fireplaces allows for configuration of ductwork and fans to move heat to other rooms. This is not only beneficial for heating areas that would otherwise be impossible to heat (e.g. basement), but it is very effective at keeping the space with the fireplace comfortable.

The RSF Comfort Advantage allows you to:

- Heat up to 3,000 square feet
- Use ductwork and fans to move heat to other rooms
- Heat the basement from the living room
- Use a thermostat to automatically move heat away when it gets **too hot**

icc-rsf.com/RSFComfortVideo

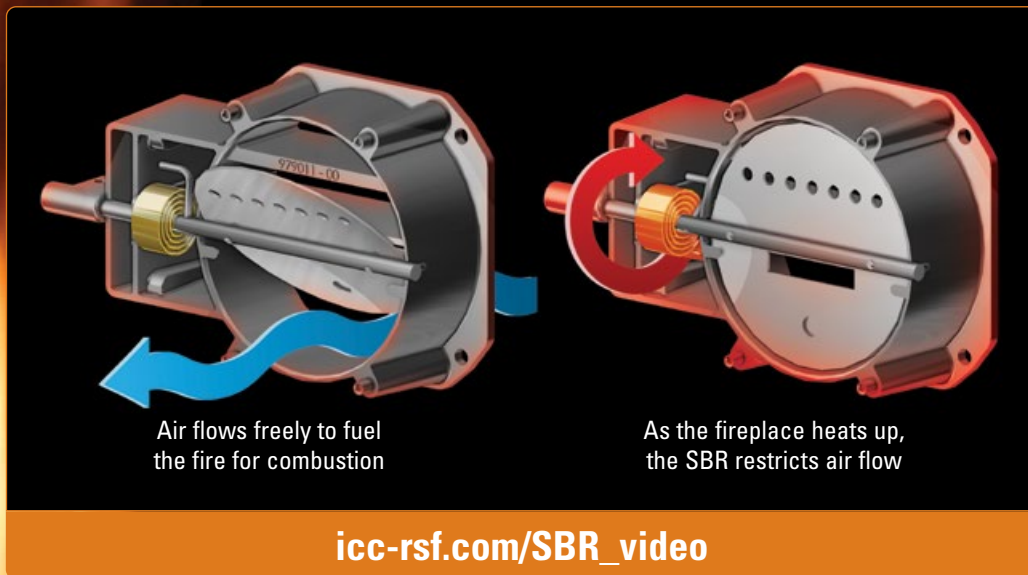
THE RSF

Smart BurnRate

AIR CONTROL

You've probably experienced a beautiful and hypnotic wood fire flame. This happens when just the right amount of air flows into a wood fireplace or stove. We call it the "sweet spot". Not only is it beautiful to watch, but it's also incredibly efficient and clean burning.

Exclusive to RSF, the heat-activated **Smart BurnRate (SBR)** air control system balances the fireplace's burn rate to optimize combustion and keep it in the sweet spot. The user controls the length of the burn time, less wood for a short burn or more wood for longer burns. As the fireplace heats up, the SBR restricts air flow without user input or electricity. It's always ready in a power outage, and an RSF unit with the SBR system will consume up to half the amount of wood in the first two hours as a conventional stove.



CATALYTIC OR NON-CATALYTIC SERIES

CHOOSING WHAT'S RIGHT FOR YOU

At RSF Fireplaces we produce some of the world's cleanest burning wood fireplaces while maintaining the beauty of a big, bold fire. We achieve clean burning fires using different technologies.

SMART BURNRATE – Is a heat-activated (non-catalytic) air control system which balances air flow, optimizing combustion of the fireplace's burn rate.

CATALYTIC – Uses a catalyst to burn off harmful emissions and to improve efficiency.

NON-CATALYTIC – Uses a secondary burn system for beautiful fires and low emissions.

When choosing what is right for you,
look for these quick reference symbols:



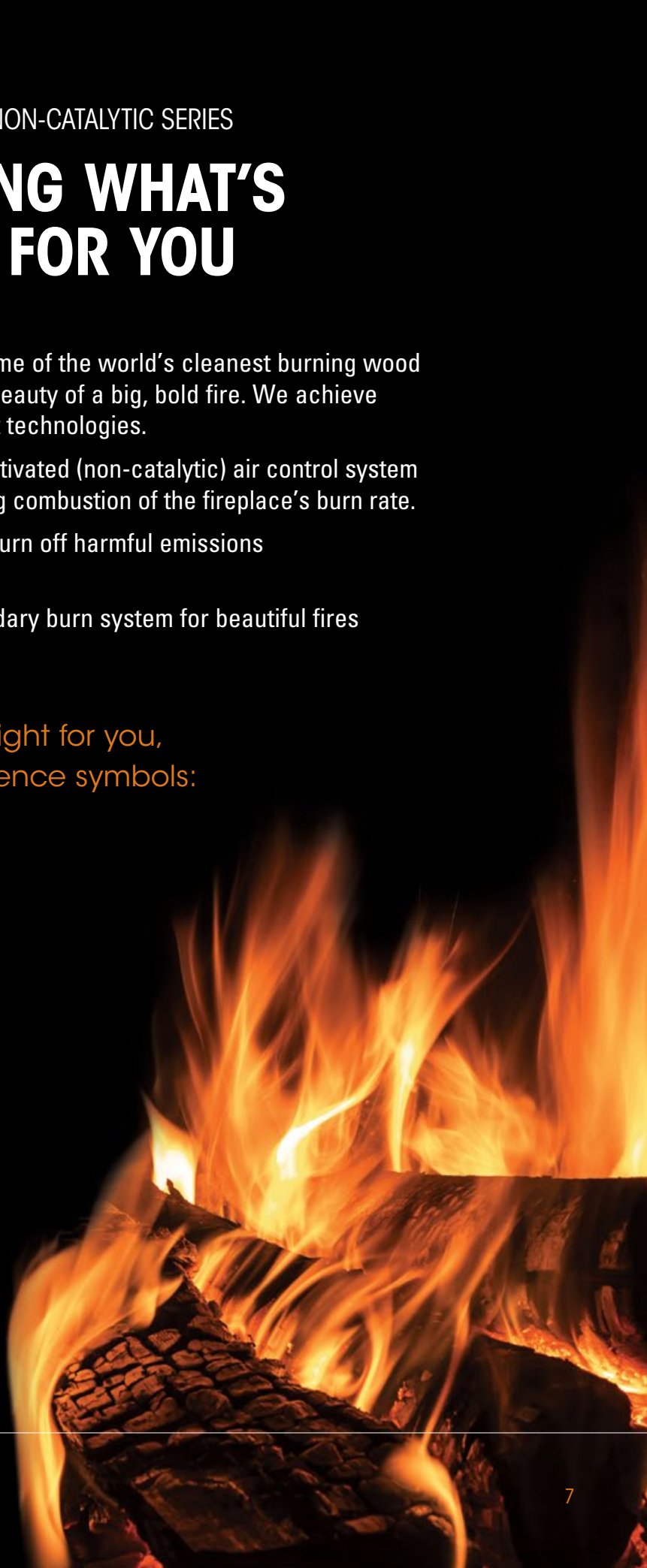
Smart BurnRate



Catalytic



Non-Catalytic





Focus 3600

fireplace



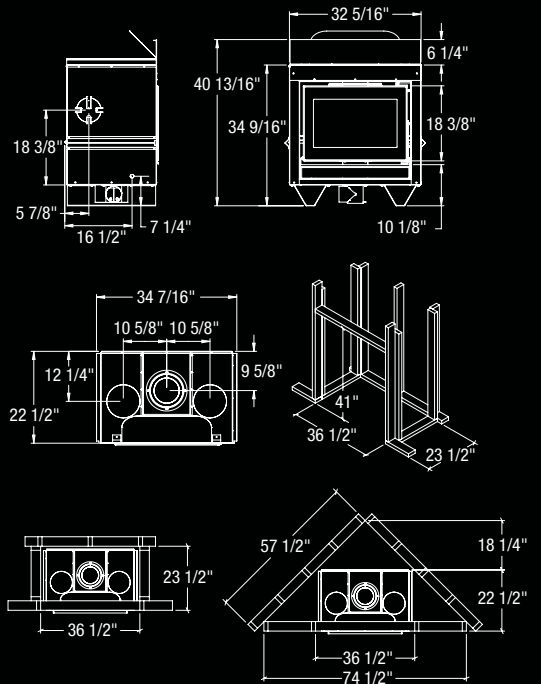


“The Focus 3600’s versatile size, large viewing space, 1.4gr/h emissions and high efficiency make it ideal for retrofits and new installations alike.”

Power and performance in a small package. At 2.1 cubic feet, the firebox of the Focus 3600 is the same size as the average wood stove, except it takes up less floor space and has a contemporary, built-in design. Despite its compact size, the Focus 3600 offers a large viewing space and generates an impressive amount of heat. With such a small footprint, the Focus not only saves space in the home, but it can be installed virtually anywhere.



**CERTIFIED FOR
MANUFACTURED/MOBILE
HOMES**





Pearl 3600

fireplace



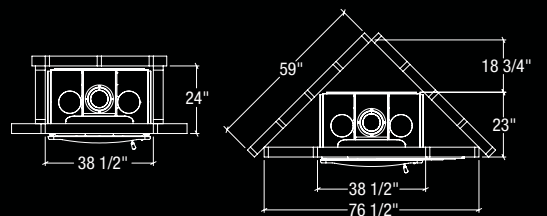
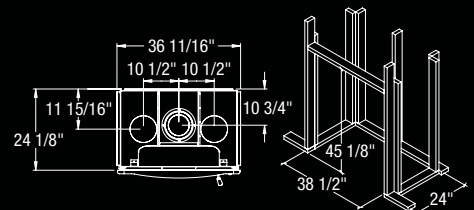
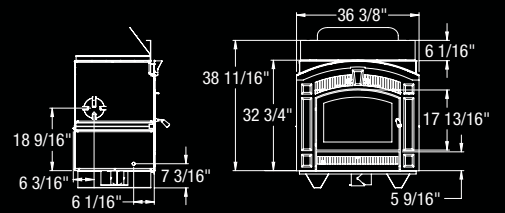


"The heat that comes from wood is comforting to the body and soothing to the spirit in a way that cannot be duplicated by any other heat source but the sun."

The Pearl 3600 is crafted with the perfect combination of refined, yet rustic styling. Renowned for quality construction and market leading performance, the Pearl is EPA 2020 certified at 1.49g/hr, takes 6" EXCEL chimney and can be outfitted with options to move excess heat throughout the home. Like all RSF fireplaces, the Pearl is built to last a lifetime.



**CERTIFIED FOR
MANUFACTURED/MOBILE
HOMES**





Pearl 3600

fireplace







Focus SBR

fireplace



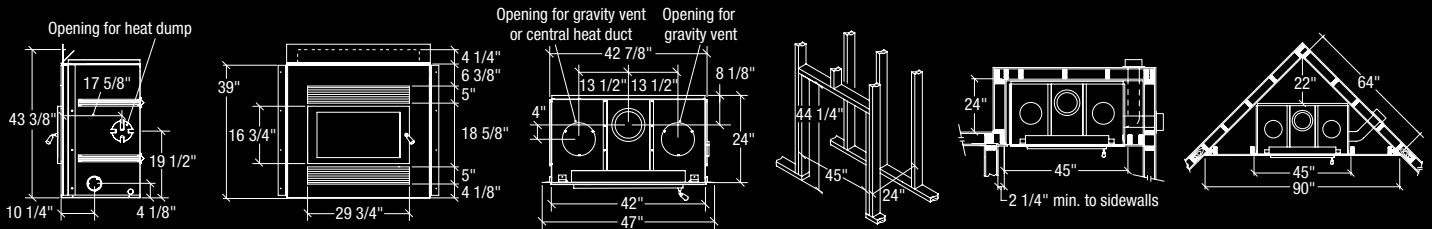
At RSF we're engineering wood fireplaces for tomorrow, today



**CERTIFIED FOR
MANUFACTURED/MOBILE
HOMES**

With the Smart BurnRate system now built-in, the Focus SBR beats the toughest emissions regulations in North America. It is EPA certified at 1.4 g/hr, 44% cleaner than EPA 2020 requirements. Everyone benefits from the air-infused easy light-up, followed by tons of heat, clean combustion, and beautiful lazy flames.

- EPA 2020 certified at 1.4 g/hr
- Smart BurnRate system (non-catalytic)
- Heats upwards of 2,000 square feet
- Optional: 635cfm central heating blower



Note: Shown above with louvers.
See cover page for "Clean Face" installation. 15



Delta Fusion

fireplace





Winner of the *Vesta Award* for Best New Hearth Product, the Fusion's huge firebox has an emission rate lower than most stoves half its size.

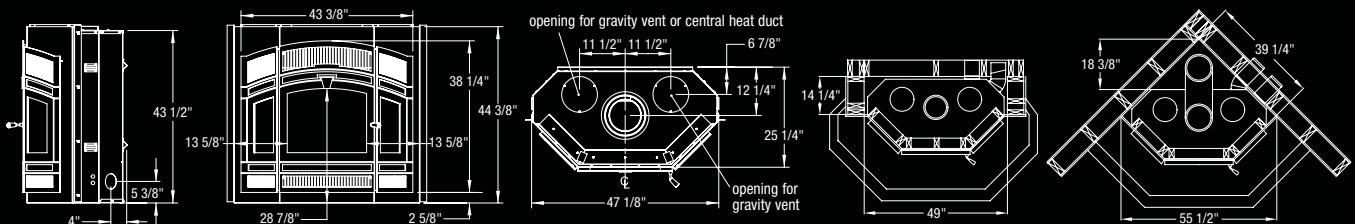
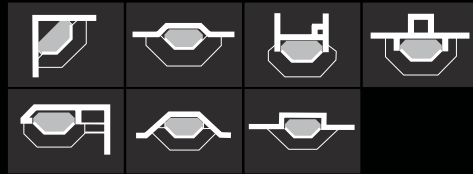


Designed to be easy to use, time saving, and efficient, the Smart BurnRate in the Delta Fusion automatically burns at a rate considered to be a "sweet spot". Fill it with wood and kindling, light it up, and close the door. Through the unique panoramic window, experience the warming glow of its big beautiful fire.

Whether you are new to wood burning or have a lifetime of experience, you will appreciate how the Fusion automatically maintains a gorgeous, environmentally friendly fire. The cleanest fires are achieved with lots of secondary combustion, which just happens to be when the fire is most visually appealing.

- EPA certified at 1.3 g/hr.
- Rugged styling with a 4.4 ft³ firebox
- 510 in² panoramic view
- Optional 635 cfm Central Blower
- Smart BurnRate system (non-catalytic)

Installation and Framing Alternatives





Opel Keystone

catalytic fireplace



1-8 Shown without the top Keystone louver installed



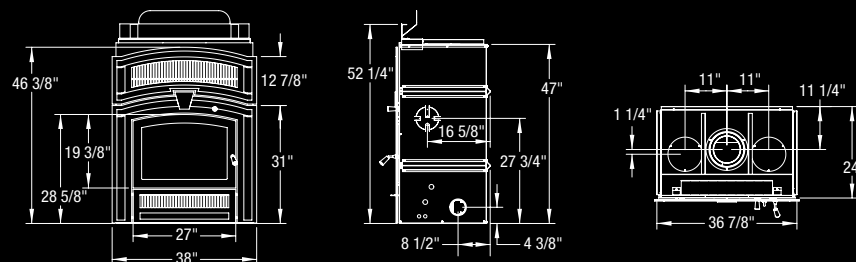
Opel Keystone Plus Fireplace

As part of the growing Opel family, the Keystone is the result of fine craftsmanship, inspired by versatility and built on more than 30 years' of proven performance with high efficiency wood-burning fireplaces.

The Keystone name comes from the interchangeable keystone facing that is offered either as a semi-clean look or as a full faceplate, adding modern sophistication and design choices to any mid-sized space.

Low Emissions – High Performance

- One fireplace, two looks:
 - Semi-clean face option (requires two gravity vents for heat output)
 - Full Keystone facing for maximum impact
- EPA Certified to comply with 2020 particulate emission standards at 0.7 g/hr.
- Optional: 635cfm central heating blower
- Large 3.6 cubic feet firebox allowing overnight burns.
- BTU Output range 10,000 to 70,000
- Heating capacity up to 3000 ft²





Opel 2 Plus

catalytic fireplace





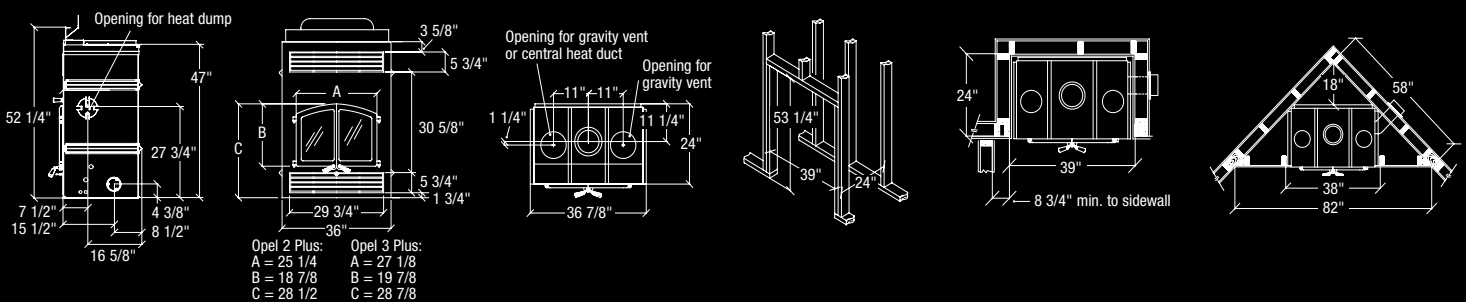
Opel 2 Plus

The Opel is available either as a catalytic, *Plus version*, or non-catalytic fireplace. Both offer the same beautiful cast iron door options (single or double) and ultra-high efficiency to keep your family warm.

The Opel Plus series has taken the Opel family of fireplaces to the next level. EPA certified at 0.7g/hr makes the Opel Plus one of the most advanced and cleanest units available on the market today, yet it still maintains its classic styling. In the past, *Popular Science Magazine* has recommended the Opel for its efficiency and reduction of emissions. Over the years this technology has only improved and been refined to make the Opel Plus what it is today.

Catalytic Opel

- EPA Certified to comply with 2020 particulate emission standards at 0.7 g/hr.
- Optional: 635cfm central heating blower
- Large 3.6 cubic feet firebox allowing overnight burns
- BTU Output range 10,000 to 70,000
- Heating capacity up to 3000 ft²



Note: There are optional decorative grills available to replace the traditional top and bottom louvers on the Opel fireplace (see photo above).



Opel 3 Plus

catalytic fireplace



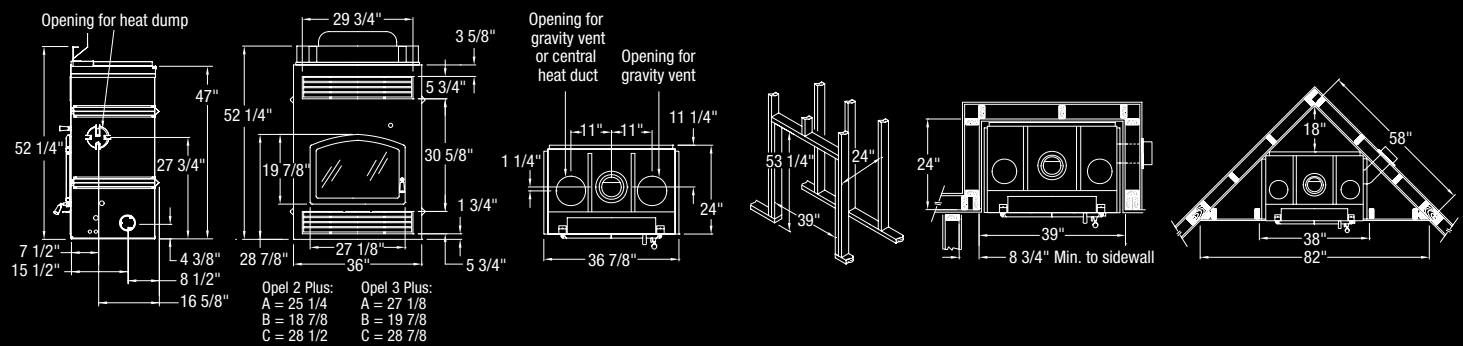


Clean face installation with decorative trim



Clean face installation with no trim

Opel 3 Plus



Note: Many RSF fireplaces can be "Clean Faced". This hides the louvers, but requires air inlets and outlets elsewhere to ensure safety.



Focus See-Thru

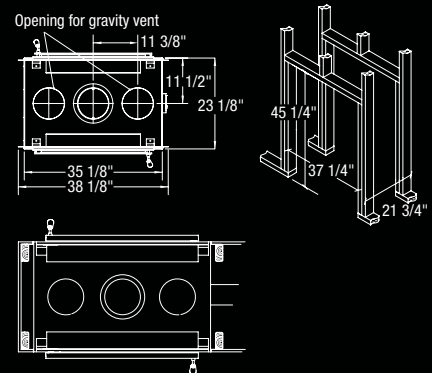
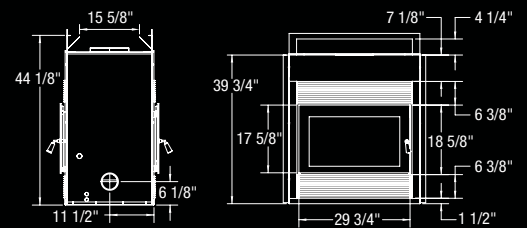
fireplace



"When all else fails, you can count on a real wood fire. Without heat, an emergency becomes a disaster, but with an RSF fireplace and a few candles, you'll turn it into a family adventure. When storms rage and the power lines go down, your family will be warm, cozy and safe around a real wood fire."

The Focus ST is designed to share warmth and light with multiple areas of your home. It is the perfect choice if you are looking for a see-thru fireplace that is clean burning and efficient.

Note: The Focus ST is not controllable like other RSF fireplaces. It is suitable for supplemental heating only.

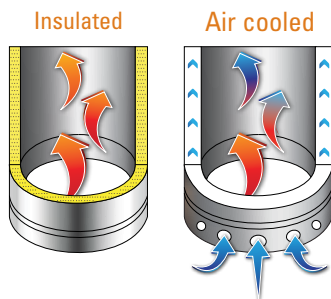


CHIMNEY SAFETY AND PERFORMANCE

Choosing the wrong chimney can adversely affect the safety and performance of your high efficiency fireplace.

Air cooled chimneys were designed for open wood-burning fireplaces. Since open fireplaces produce very little heat, air cooled chimneys are not required to undergo severe chimney fire testing. These chimneys have no insulation; they stay cool by circulating cold air past the inner flue. As a result, the flue is cooler than with an insulated chimney resulting in reduced draft and a greater chance of creosote formation. They are used on most entry level “builder box” fireplaces so they are usually constructed of the cheapest materials UL Standards allow.

Insulated chimneys were designed for wood stoves. Stoves can produce high flue gas temperatures and large amounts of creosote which can cause chimney fires. Stove chimneys are certified to much tougher safety standards which require the chimney system to withstand repeated 2100°F chimney fires. They utilize high temperature insulation and superior stainless steel making them much more expensive to build. They warm up quickly and are less likely to accumulate creosote.



High efficiency fireplaces are wood stoves with cabinets around them to keep the outside of the cabinet cool and circulate the stove’s heat into the room. They warm up faster, draw better and form less creosote when they are installed with an insulated chimney. That’s why RSF Fireplaces are only approved with Excel insulated chimney, which passes ULC S-629M, the most stringent chimney safety standard in North America.

Insulated chimneys are far superior in cold climates. Air cooled chimneys circulate air past the flue continuously so in cold weather the chimney is very cold, which can cause condensation to form when the fireplace isn’t burning. This condensation can trickle down the system gathering on top of the fireplace. Air cooled chimneys were never designed for extreme temperatures. But don’t take our word for it. Here is what one of our competitors, a manufacturer of both systems, warns about air cooled chimneys:

“In areas where winter temperatures are normally below freezing, the air cooled chimney may produce condensation. This condensation may corrode the top of the fireplace and is not covered under warranty. For optimum performance of your fireplace, (we) recommend the use of a (packed chimney)...”

RSF Fireplaces refuses to sacrifice performance and chimney fire protection to save a few dollars on the chimney. We believe superior products offer superior results in durability, performance, and most of all safety.

Some high performance fireplaces are only available with air cooled chimney. It doesn’t make sense to connect a high performance fireplace to a low performance chimney system so:

Before you buy a high efficiency fireplace make sure it is available with an insulated chimney.

RSF CONVENIENCE

- Unlike conventional wood units, RSF fireplaces burn for many hours on a single load of wood, so you can enjoy the beauty of a real wood fire without the hassle of hauling wood and tending to the fire all the time.
- RSF fireplaces produce virtually no creosote and very few ashes so you won’t need to clean the fireplace, or the chimney, very often.
- The air-wash system on every RSF fireplace is designed to keep the glass clean under normal operating conditions.

RSF HEAT DISTRIBUTION

Central heating capabilities

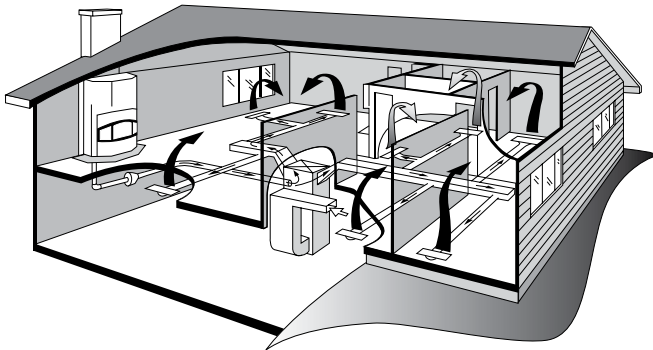
The central heating option enables RSF fireplaces to be ducted in any direction, including down into a level below the fireplace. The ducting from an RSF fireplace can be set up a number of different ways:

- You can run a single duct from your RSF fireplace to a cool room on any level of your home and use a thermostat in that room to turn on the blower when the room requires heat.
- You can locate the thermostat in the same room as the fireplace and use it to turn on the blower and move the heat to another area of the house when the room with the fireplace gets too warm.

RSF's unique bi-metallic air control automatically adjusts the burn rate of the fire to compensate for the additional output required to supply your central heating system.

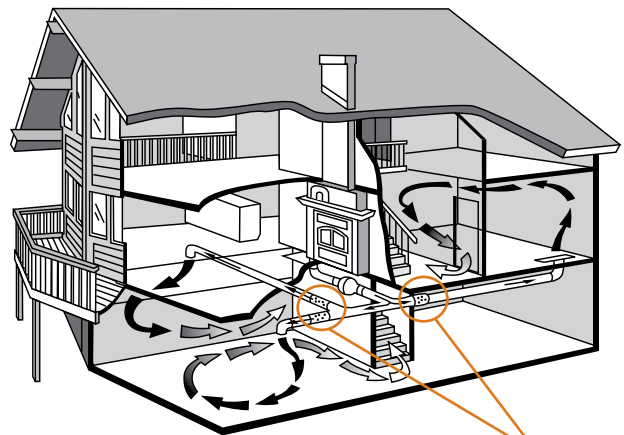
Central Heating

A duct can be run from the fireplace into the central heating furnace ductwork that enables the heat from the fireplace to be distributed evenly throughout the home. See diagram below. Options FDHB6-1 and FDHC6.



Zone Heating

Ducting can be installed for up to four separate zones in your home and each zone can be controlled individually using our zone heating control and zone definition kit. See diagram below. Options FDHB6-1, FDHCZ1 and FDHCZ2.



Zone definition kit
FDHCZ2

Note: The bi-metallic air control and central heating options are not available on the Pearl 3600, Focus 3600 and the Focus ST.

RSF HEAT DISTRIBUTION

Gravity Vent Kits



All fireplaces can be installed with up to two optional Gravity Vent Kits. Gravity Vent Kits allow you to duct heat from the fireplace to a room above or on the same level as the fireplace. Clean Face models require two Gravity Vent Kits.



- Rectangular Gravity Vent Kit (FO-V3) this kit comes with a 9 1/2" x 6" decorative rectangular grill vent.



- Universal Gravity Vent Kit (FO-V2) this kit comes with a 13" x 13" decorative square grill vent.



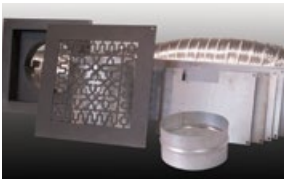
- Contemporary Grill (FO-VGC) measures 13" x 13" and fits the FO-V2 Gravity Vent Kit.

Heat Dump Kit



The Heat Dump Kit uses a 180 cfm fan to direct a moderate amount of warm air from the fireplace to another room. It has a maximum run of 8 ft. and is most often used to provide supplemental heating to a basement room when the fireplace is on the main floor.

Clean Facing Kit



The Clean Facing Kit consists of an intake grill and boot, a five foot length of flexible aluminum duct and a sleeve to connect the duct to the fireplace.

Inline Fan

The Inline Fan can be installed behind the intake grill of the Clean Facing Kit to provide increased air circulation.

Internal Blower



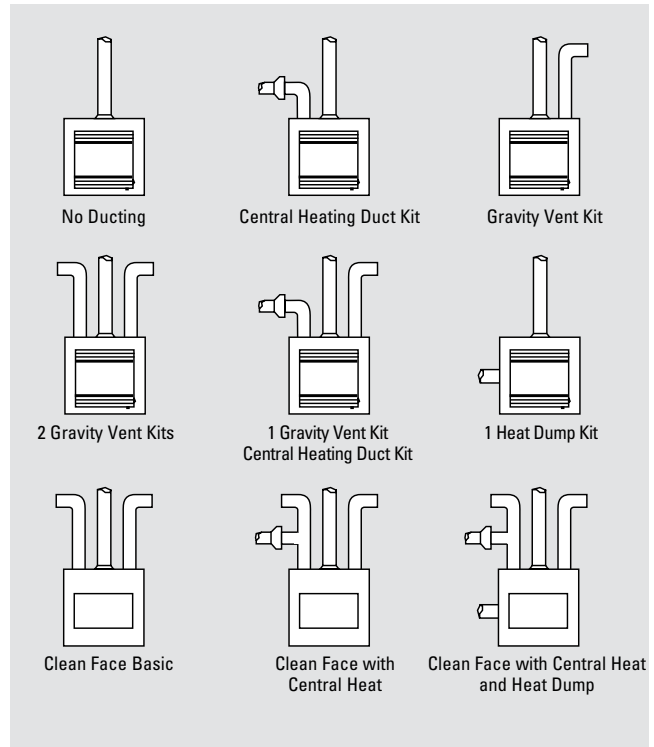
Optional Internal Blowers will improve air circulation around the firebox and help blend the warm and cool air in the room, making it feel more comfortable.

Central Heating Blower



An optional 635 cfm external blower can be used to circulate the heat from the fireplace in any direction. The kit includes a 5 ft. length of acoustic ducting, a variable speed control, a mounting bracket and a back draft damper. Can be installed on the left side only.

Ducting Options



RSF PERFORMANCE

Bi-metallic Air Control



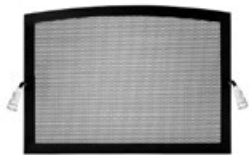
RSF has incorporated a unique bi-metal damper into their large firebox Opel, Delta Fusion, Focus SBR and Focus 320 fireplaces which works like a thermostat on your furnace delivering unsurpassed

temperature controlled heat to your living space. Conventional air controlled fireplaces have fixed air controls which burn up to 50% of their wood load in the first 2 hours of their burn cycle. That means excessive heat for the first two hours, and little heat for the next eight.

RSF's bi-metal damper senses the temperature in the heat exchanger automatically reducing the air setting at the start of the burn cycle and opens at the end, delivering even temperature controlled heat throughout the burn cycle. The bi-metal damper also adjusts to the heating demands of your home automatically burning more wood on a cold winter night and less on a late spring evening, yet always delivering the same temperature controlled heat to your living space. RSF's unique bi-metal damper is just one of the reasons RSF fireplaces have earned the coveted *Popular Science Choice*.

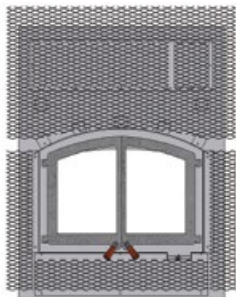
RSF ACCESSORIES

Firescreen



Optional firescreens are available on some models and allow you to enjoy the warmth and beauty of an open fire.

Rock Retainer Kit



The rock retainer kit is a trim assembly designed to permit the metal fireplace face to be neatly and easily covered with a thin non-combustible material such as sliced brick, tile, stone veneer or marble.

Finishing



The metal front on many RSF fireplaces can be covered with any non-combustible material. Select models also allow for the louver opening to be covered if two gravity vents are installed and a Clean Face Kit is used.

It is also possible to install a soldier course of brick to partially cover the top louver as long as 100 in² of opening remains for air circulation.

Masonry Chimney Adapter

All RSF fireplaces are approved to be installed into a masonry chimney. The installation requires an RSF chimney adapter and a stainless steel chimney liner. **The installation requirements are specific, please be sure to carefully read the installation instructions for the model that you select before constructing your chimney.**

Gas Conversion Option

It is possible to drill out some fireplaces to accommodate the installation of an aftermarket gas log assembly (see inside back cover for list). You may not install a gas log lighter in any RSF fireplace because the high firebox temperatures will burn out the log lighter very quickly.

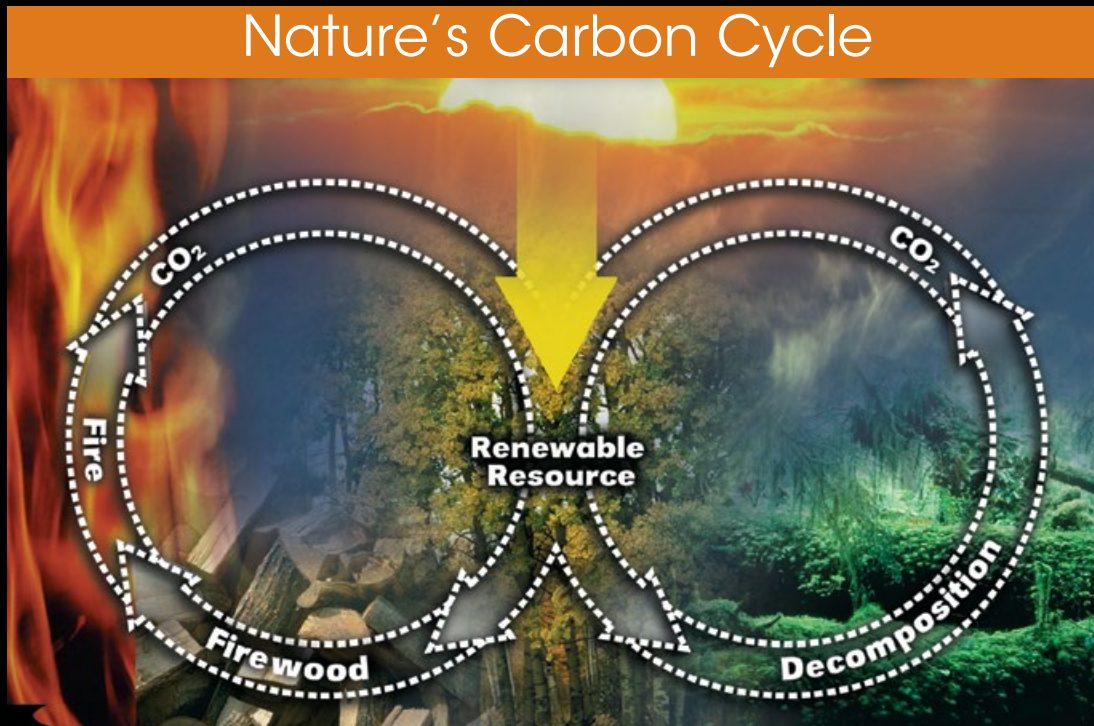
	Focus 3600	Pearl 3600	Focus SBR	Delta Fusion	Opel 2 & 3 Plus	Opel Keystone	Focus ST
Outside Dimensions (W x H x D)	34 7/16" x 40 13/16" x 22 1/2"	36 5/8" x 38 11/16" x 24 1/8"	45" x 44 1/4" x 24"	47 1/8" x 44 3/8" x 25 1/4"	37" x 52 1/4" x 24"	37" x 52 1/4" x 24"	37 1/4" x 45 1/4" x 21 3/4"
Crated Weight	398 lb	455 lb	562 lb	647 lb	553 lb	605 lb	600 lb
Firewood Length	18"	18"	22"	24"	18"	18"	20"
Firebox Size ¹	2.1 cubic feet	2.1 cubic feet	2.6 cubic feet	4.4 cubic feet	3.6 cubic feet	3.6 cubic feet	4.1 cubic feet
BTU Output ²	44,135 BTU/h	44,135 BTU/h	22,563 BTU/h	34,057 BTU/h	27,034 BTU/h	27,034 BTU/h	N/A
BTU Maximum ³	50,000 BTU/h	50,000 BTU/h	50,000 BTU/h	95,000 BTU/h	70,000 BTU/h	70,000 BTU/h	50,000 BTU/h
Heating Capacity ⁴	1500 ft ²	1500 ft ²	1,000 to 2,000 ft ²	3,000 ft ²	1,500 to 3,000 ft ²	1,500 to 3,000 ft ²	1,000 ft ²
EPA Certification	1.49 g/hr	1.49 g/hr	1.4 g/hr	1.3 g/hr	0.7 g/hr	0.7 g/hr	EPA not applicable ⁹
Optimal Efficiency ⁵	79%	79%	75% (LHV)	69% (LHV)	80% (LHV)	80% (LHV)	N/A
Chimney	6"	6"	7" Excel	8" Excel	7" Excel	7" Excel	8" Excel
Door Finish	Metallic Black	Metallic Black	Metallic Black	Metallic Black	Metallic Black	Metallic Black	Metallic Black
Decorative Trims	Straight trim: FO-F3600ST Frame trim: FO-F3600FT	N/A	N/A	N/A	Opel2: N/A Opel3: PDTB, PDTG, PDTP	N/A	N/A
Louver or Grill Options	Black Louvers included	Black Decorative Faceplate included	Black Louvers included	Black Decorative Faceplate included	Black, Pewter or Gold Plated Louvers or Decorative Grills ⁹	Top Keystone Louver - FO-OPLK	Black Louvers included
Ash Pan	N/A	N/A	N/A	N/A	FO-AP ⁸	FO-AP ⁸	N/A
Gravity Vent Kit	FO-V2	FO-V2	FO-V2	FO-V2	FO-V2	FO-V2	FO-V2
Rectangular Gravity Vent Kit	FO-V3	FO-V3	FO-V3	FO-V3	FO-V3	FO-V3	FO-V3
Gravity Vent Damper	n/a	n/a	N/A	N/A	FO-D ⁹	N/A	N/A
Contemporary Grill	FO-VGC	FO-VGC	FO-VGC	FO-VGC	FO-VGC	FO-VGC	FO-VGC
Heat Dump	FO-HD	FO-HD	FO-HD	N/A	FO-HD	FO-HD	N/A
Internal Blower	FO-HB9	FO-HB9	FO-HB9 ⁹	FO-HB9	FO-HB9 ⁹	FO-HB9	N/A
Central Heating Blower 635cfm	N/A	N/A	FO-FDHB6-1	FO-FDHB6-1	FO-FDHB6-1	FO-FDHB6-1	N/A
Central Heating Control	N/A	N/A	FO-FDHC6	FO-FDHC6	FO-FDHC6	FO-FDHC6	N/A
Central Heating Tee	N/A	N/A	FO-T	FO-T	FO-T	FO-T	N/A
Zone Heating Option	N/A	N/A	FO-FDHCZ1 & FO-FDHCZ2	FO-FDHCZ1 & FO-FDHCZ2	FO-FDHCZ1 & FO-FDHCZ2	FO-FDHCZ1 & FO-FDHCZ2	N/A
Rock Retainer Kit	N/A	N/A	FO-KN	FO-KDF	FO-KP3	FO-KK	FO-KR
Clean Facing	N/A	N/A	FO-F2 + FO-V2/V3 (2X)	N/A	FO-F3 + FO-V2/V3 (2X)	N/A	N/A
Inline Fan	N/A	N/A	FO-CIF	N/A	N/A	N/A	N/A
Gas Log Provision ⁶	N/A	N/A	N/A	N/A	YES	YES	YES
Masonry Chimney Option	FO-FDM6	FO-FDM6	FO-FDM7	FO-FDM8	FO-FDM7	FO-FDM7	FO-FDM8
Outside Air ⁷	4", meets R2000	4", meets R2000	4", meets R2000	4", meets R2000	4", meets R2000	4", meets R2000	4", meets R2000
Mobile Home Approved	YES	YES	YES	NO	NO	NO	NO

note 1: Based on overall firebox dimensions, EPA official firebox dimensions are smaller.
note 2: Based on EPA certification testing using crib wood and calculations from CSA B415.1-10.
note 3: Based on engineering calculations using firebox volume, efficiency, loading density (12lb/cu ft for hardwood), average humidity, reloading interval, type of installation, etc.
note 4: Depends primarily on wood quality, ambient air temperature and building heat loss.
note 5: Low Heating Value (LHV), using data generated under the best circumstances and CSA B415.1-10 calculations.

note 6: These fireplaces may be drilled out to accept an after market gas log assembly. You may not install a gas lighter in any RSF fireplace because the high firebox temperatures will burn out the log lighter very quickly.
note 7: All RSF models come equipped to accept a 4" outside air duct, a 5" can also be used. All models can also be installed to operate using room air.
note 8: N/A on fireplaces installed with the Clean Face Option.
note 9: The Focus ST can be sold in Canada and the USA as per Subpart AAA of the 2015 EPA Standards of Performance for New Residential Wood Heaters Vol. 80, No. 50.

Note: All information and dimensions provided in this brochure are for general information purposes only. You must follow the installation instructions which accompany each fireplace to ensure your particular installation is done safely and correctly. These dimensions are modified from time to time so please confirm them with the current installation instructions before construction.

BURNING WOOD IN AN RSF FIREPLACE IS GOOD FOR THE ENVIRONMENT



RSF means **R**enewable **S**olid **F**uel.

Using energy from the sun, nature's carbon cycle moves from the atmosphere to the forest and back. Here is how it works: trees absorb carbon dioxide from the air as they grow using photosynthesis. In fact, about half of their dry weight is absorbed carbon. As old trees die and decay, or are consumed by a forest fire, their carbon is again released as carbon dioxide.

When firewood is used as an energy source, part of the natural carbon cycle is brought into our homes. A fire in an RSF fireplace releases the solar energy stored by the tree as it grew. A clean burning fireplace will heat your home more efficiently and with lower environmental impact than any other fuel option. Oil, gas

and coal are fossil fuels (non-renewable fuel sources). When they are burned, old carbon that was buried deep within the earth is released to the atmosphere. The rising concentration of carbon dioxide from fossil fuel use is linked to global warming, climate change and the unusual weather seen in recent years.

An RSF wood burning unit adheres to strict emissions and particulate testing. No more carbon dioxide is released than the natural forest would release if it were left untouched. Using wood for heat means less fossil fuels are burned, less greenhouse gas emissions are released, resulting in a healthier environment.



Opel 2

Focus SBR with decorative surround



Delta Fusion

Pearl 3600





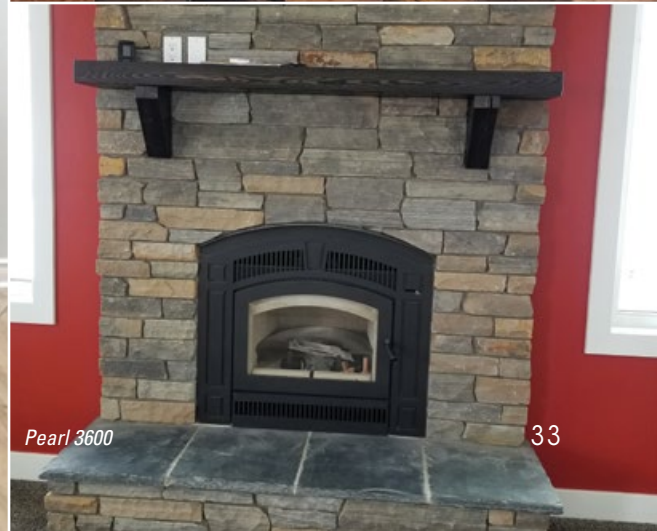
Opel 2



Delta Fusion



Opel 2



Pearl 3600



Focus SBR



Opel 2



Focus SBR with decorative surround



Focus SBR



Opel 2



Opel 3 Plus



Focus SBR



Opel 2

What's important to you?

- Beautifying your living space and increasing home value
- Providing a primary or supplemental heat source
- Cutting the cost of your heating bill
- Creating an eye-catching design focal point in your room
- Heating the basement from your living room
- Adding a gathering place for friends and family
- Incorporating a flat screen TV into your room design
- Enjoying a mantel for the holidays, family keepsakes & photos
- Making the best VALUE choice for your investment

So **YOU** decide

RSF real wood-burning fireplaces...

A Better Idea!

30 Year Limited Warranty

All RSF wood-burning fireplaces are covered by a comprehensive 30-year warranty. Please ask your RSF dealer for a complete copy of the warranty.

"We built it better so we back it better"

RSF

WOODBURNING FIREPLACES

A division of: Industrial Chimney Company

400 J.F. Kennedy, St. Jerome, Quebec, Canada, J7Y 4B7

Phone: (450) 565-6336 Fax: (450) 565-6519

Visit our web site for installation photos: www.icc-rsf.com

RSF-CAT_2021-04