

404700 to 404799

Illustrated Parts List

Model Series

404700 to 404799

TYPE NUMBERS

0100 through 0104

0115 through 0127

TO FIND

THE CORRECT NUMBER OF THE PART YOU NEED:

FOLLOW THE INSTRUCTIONS BELOW

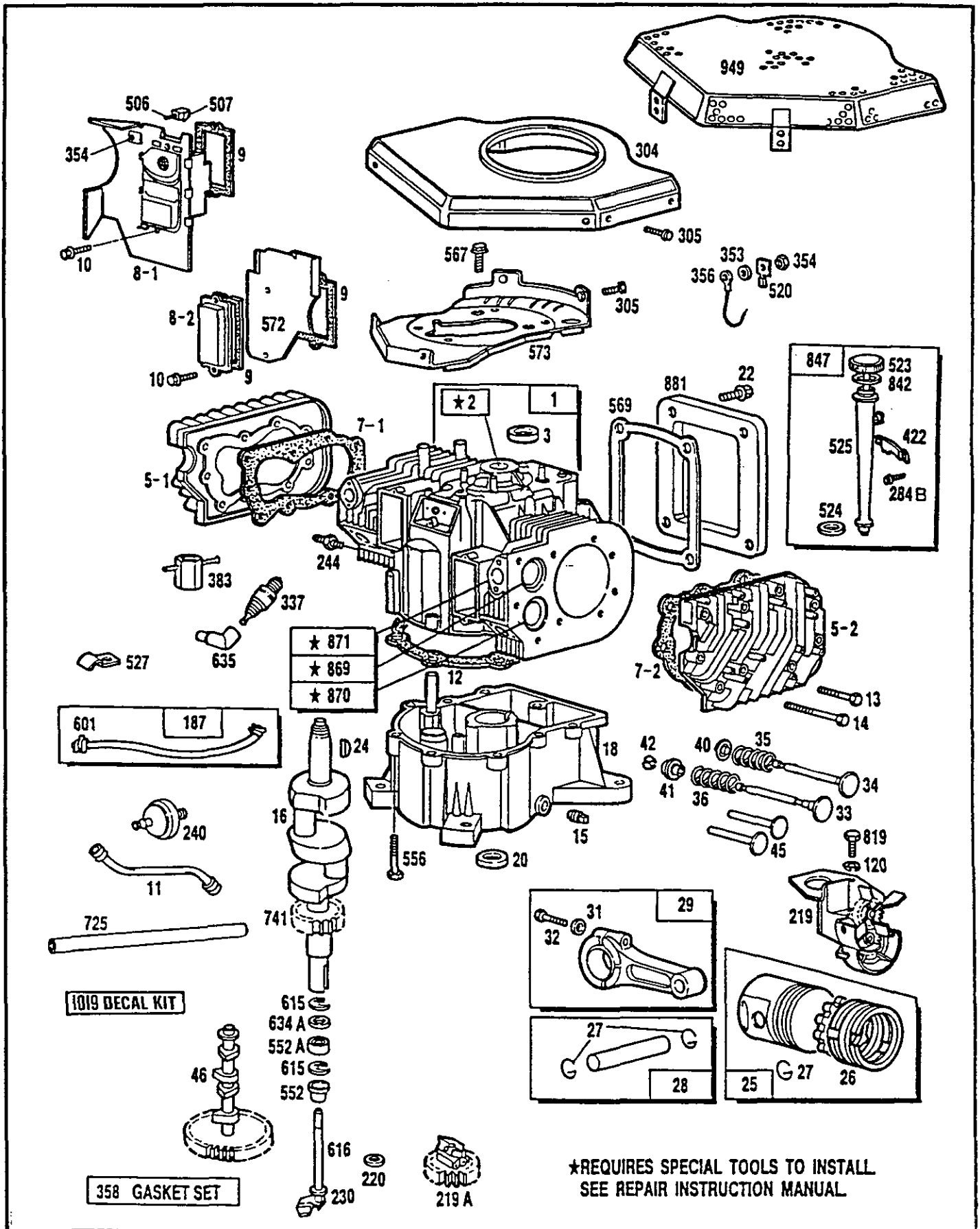
- A. Refer to Engine Model, Type and Code Number that is stamped on the blower housing of engine. Engine type numbers such as 012301 are listed herein only as 0123. The two digits (01 or 02, etc.) to the right of the space are not needed for parts identification. Then use the Illustrated Parts List covering the Model Series.
- B. Refer to Illustrated Parts section and compare the old part with illustration. The number on the illustration is the Reference Number. Assemblies include all parts shown in frames. All parts shown in assembly frames on which individual reference numbers are given can be purchased separately.
- C. After the Reference Number has been identified, refer to the Numerical Parts List, where Reference and Master Part Number are listed. **THE MASTER PART IS USED ON ALL TYPE NUMBERS EXCEPT THOSE TYPE NUMBERS UNDER "NOTE"**.
- D. If a "Note" appears below the Master Part Number, this means that this part differs from the Master Part for certain types. If the Type number is listed under "Note", order the part referred to.
- E. If the Engine Type Number does not appear after any part number listed under "Note", use the Master Part Number.
- F. For Type Numbers higher than those covered by this book, please refer to the factory if you are unable to identify the part by comparison.

PRINTED IN U.S.A.

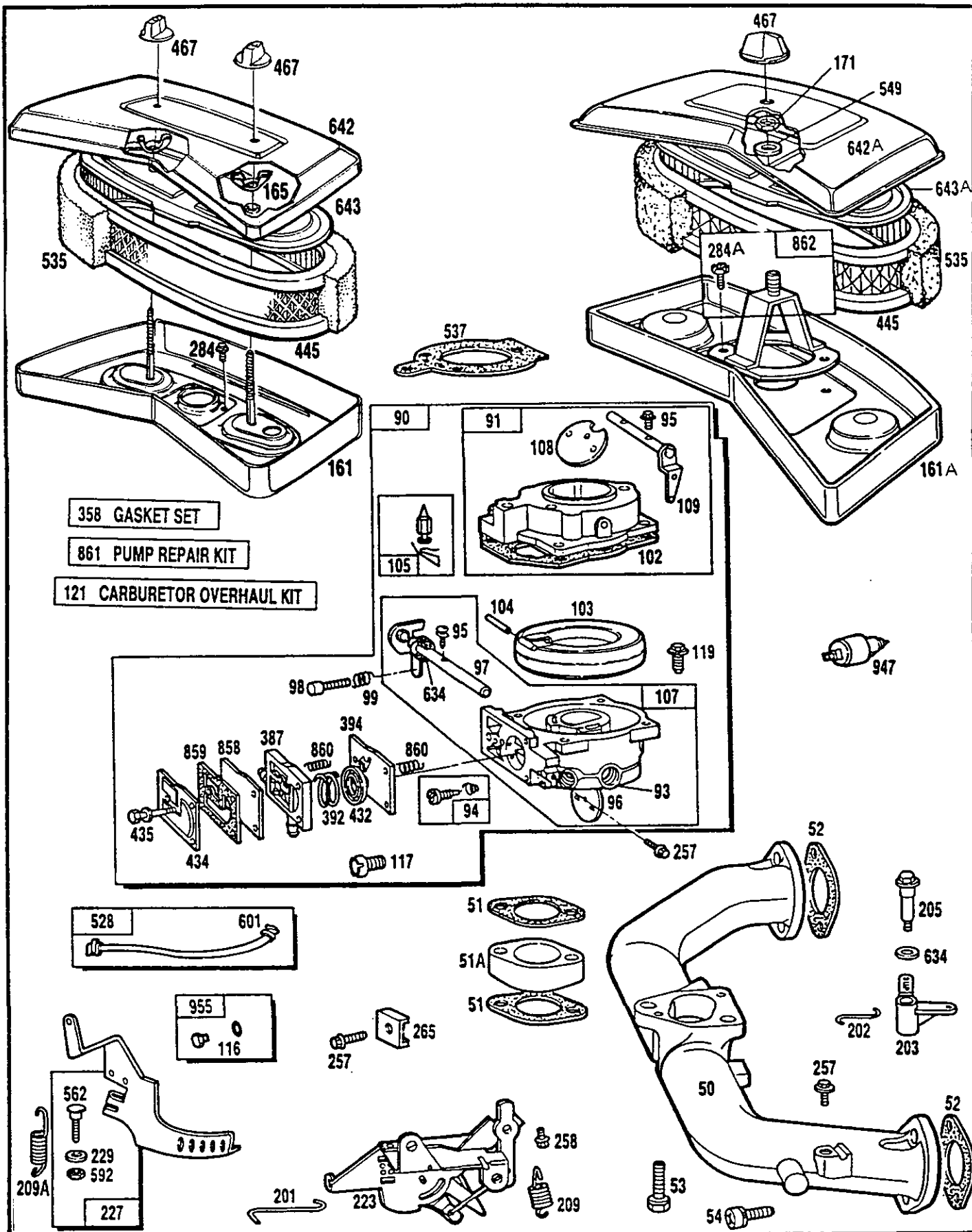
COPYRIGHT ©



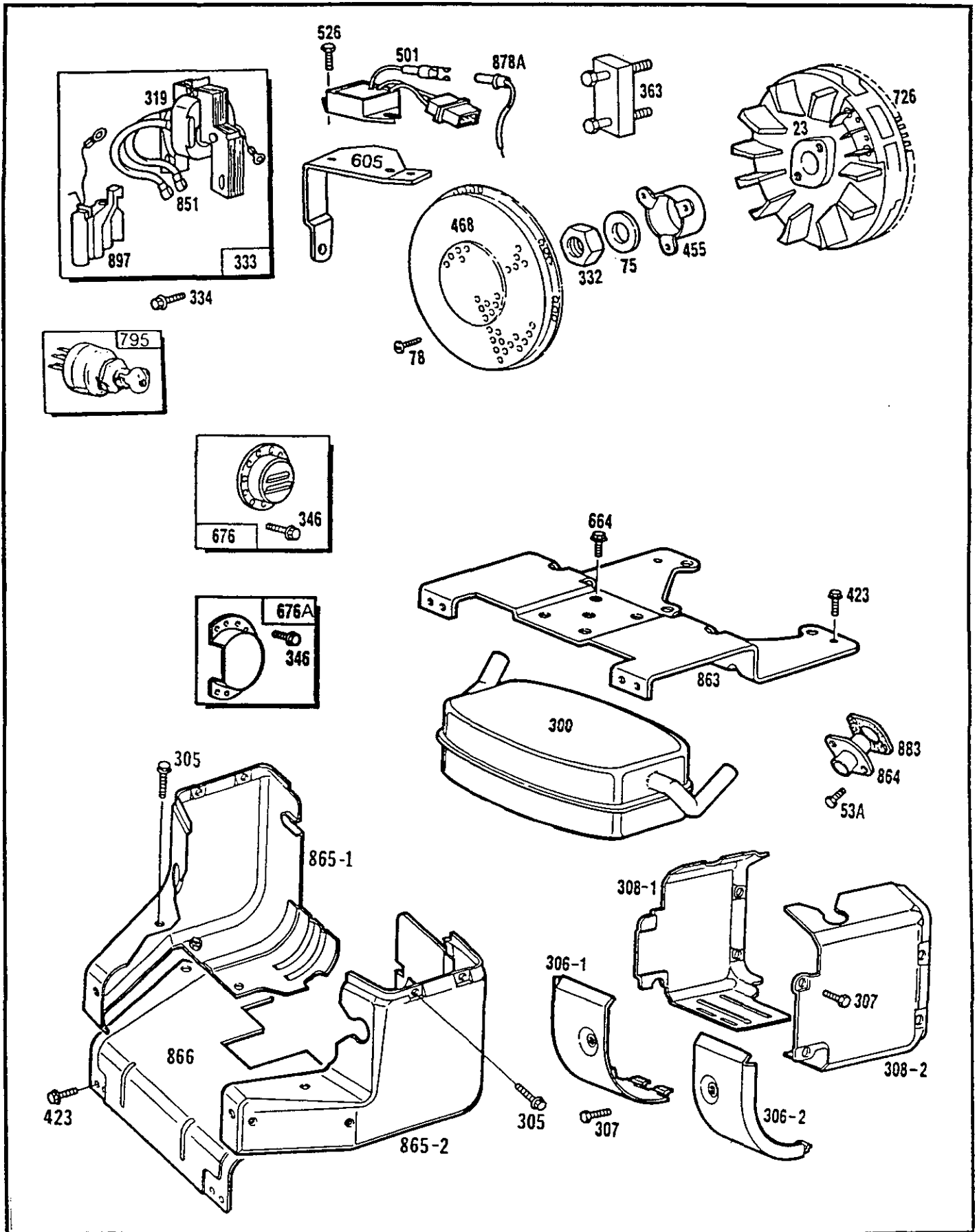
404700 to 404799



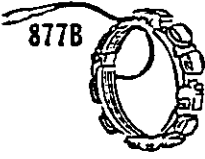








★REQUIRES SPECIAL TOOLS TO INSTALL
SEE REPAIR INSTRUCTION MANUAL



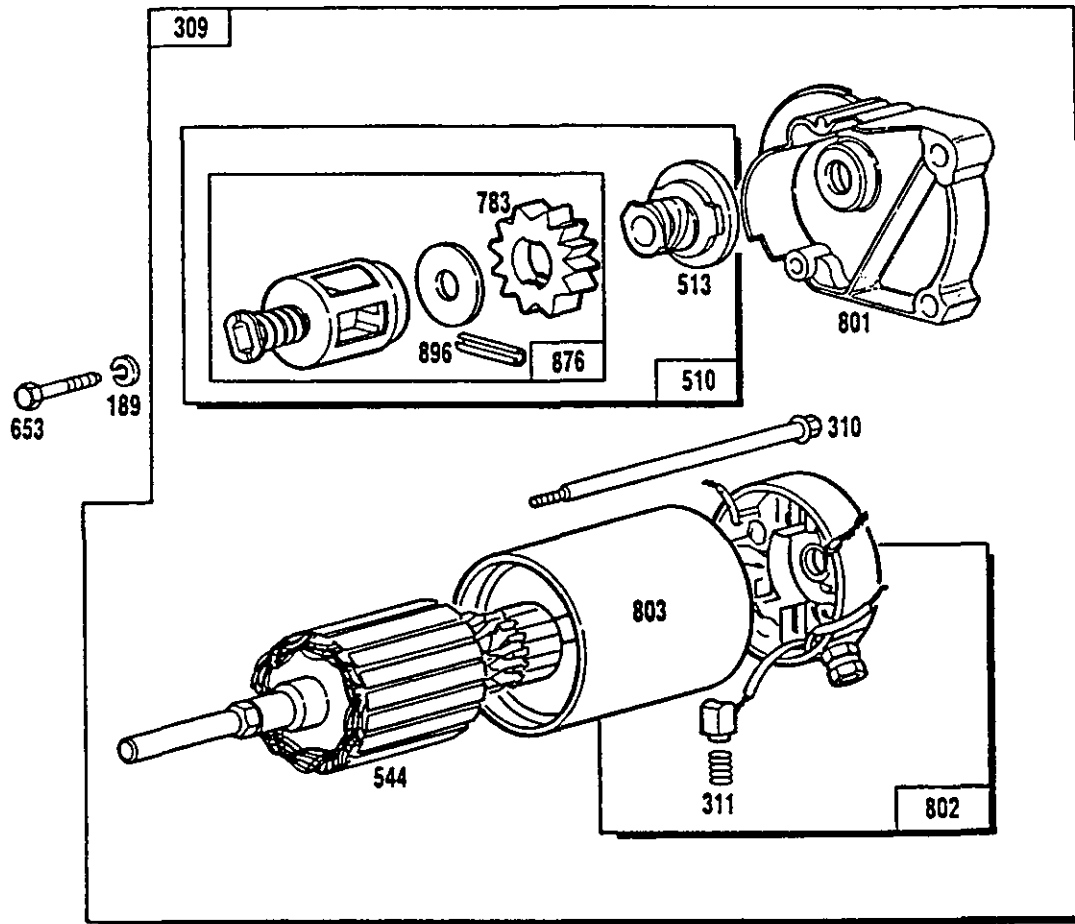
404700 to 404799



DC ONLY	DUAL CIRCUIT	TRI-CIRCUIT	16 AMP
23	23	23	NOTE under 23
887 	474 	474A 	474B 
			
			501 

NOTE: All stators use No. 482 Mtg. Screw

404700 to 404799



Subject		Ref. No. 309	Ref. No. 310	Ref. No. 311	Ref. No. 801	Ref. No. 802	Ref. No. 803
Starter Motor Mfr.		Motor and Drive Assy.	Thru Bolt	Brush Assembly	End Cap Assy. Drive	End Cap Assy. Commutator	Housing Assembly
Briggs & Stratton	Housing Length						
12V	3-5/8"	394808	94003	395538	394860	395537	393825

Subject	Ref. No. 513	Ref. No. 544	Ref. No. 783	Ref. No. 876	Ref. No. 896	Ref. No. 510
Starter Motor Mfr.	Clutch Assembly	Armature Assembly	Gear	Pinion Spring Kit	Roll Pin	Starter Drive Group
Briggs & Stratton						
12V	398003	390837	280104	393254	93754	396865

404700 to 404799

REF. NO.	PART NO.	DESCRIPTION	REF. NO.	PART NO.	DESCRIPTION	REF. NO.	PART NO.	DESCRIPTION
305	93158	Screw—Sem	537	†*271411	Gasket—Air Cleaner	861	393397	Repair Kit—Pump
306-1	222846	Shield—Cylinder	549	271180	Washer	862	394546	Mounting Strap Assy.—Air Cleaner
306-2	222847	Shield—Cylinder	552	261559	Lower Bushing—Governor	863	222865	Bracket—Muffler
307	93163	Screw—Sem	552A	261560	Upper Bushing—Governor	864	393483	Liner Assy.—Exhaust Port
308-1	222848	Cover—Air Guide	556	93585	Screw—Hex. Hd. Sem	865-1	393288	Cover Assembly—Air Guide (Cyl. #1)
308-2	222849	Cover—Air Guide		Note:	93730 Stud	865-2	393289	Cover Assembly—Guide (Cyl. #2)
309		Motor—Starting			90366 Lockwasher	866	393285	Top Plate Assembly
		See Chart for Replacement Parts for Starting Motors on Page. 5.			22963 Washer	869	261463	Seat—Intake Valve (Standard)
					Used on Type No. 0115.	870	210940	Seat—Exhaust Valve (Standard)
319	394988	Armature Assembly	562	93853	Bolt—Governor Lever	871	261961	Guide—Exhaust Valve (Only)
332	230674	Nut—Hex.	567	93777	Screw—Hex. Head (Back Plate to Cylinder)		Note:	231218 Guide—Intake Valve (Brass)
333	394891	Armature Group (MAGNETRON® Ignition)	569	*270981	Gasket—Crankcase			See Repair Manual.
334	93381	Screw—Armature Mtg. Sem	572	222912	Baffle—Air (Cylinder #2)	877	393456	Diode and Connector Assembly
337	394539	Plug—Spark (Resistor)	573	392934	Back Plate Assembly	877A	393814	Diode and Connector Assembly (D.C.)
346	93705	Screw—Sem	592	92278	Nut—Hex.—10-24	877B	393537	Connector Assy. (Tri—Circuit)
353	92791	Washer—Lock—Shakeproof	601	93053	Clamp—Fuel Line	878	393362	Alternator Harness Assy. (Dual Circuit)
354	90576	Nut—Hex.—8-32	605	222959	Bracket—Regulator	878A	393422	Alternator Harness
356	391115	Wire—Ground	615	93851	Retainer—E-Ring	881	222860	Cover Plate—Crankcase
358	394501	Gasket Set	616	394349	Crank—Governor	883	271174	Gasket—Exhaust
363	19203	Puller—Flywheel (Optional Accessory)	634	†271013	Washer (Throttle Shaft)	887	391529	Stator Assembly—Alternator (D.C.)
383	89838	Wrench—Spark Plug	634A	271316	Foam Seal—Governor Shaft	897	394970	Trigger Coil Assembly MAGNETRON® Ignition
387	280197	Body—Pump	635	66538	Elbow—Spark Plug	949	393330	Cover—Static Guard
392	‡261395	Spring—Pump	642	223579	Cover—Air Cleaner	947	397266	Solenoid
394	‡270988	Diaphragm	642A	223002	Cover—Air Cleaner	955	397882	Plug and Seal—Solenoid
422	222875	Clamp—Oil Filler	643	223714	Cartridge Plate—Air Cleaner	1019	491259	Decal Kit
423	93876	Screw—Sem	643A	222859	Cartridge Plate—Air Cleaner			
432	‡221377	Cap—Spring	653	91162	Screw—Hex. Hd.—(5/16-18 x 1-1/2")			
434	223688	Cover—Diaphragm (Used After Code Date 85121500.)	664	93343	Screw—Sem			
	Note:	222615 Cover—Diaphragm (Used Before Code Date 85121600.)	676	397630	Deflector—Muffler			
435	93829	Screw—Diaphragm Cover	676A	393761	Deflector—Muffler (Side Outlet)			
445	394019	Cartridge—Air Cleaner	725	280692	Shield—Heat			
455	222674	Cup—Screen Mounting	726	391362	Gear—Flywheel Ring (Includes Mounting Parts)			
467	212706	Knob—Air Cleaner	741	262221	Gear—Timing (Used with Key)			
468	222673	Screen—Flush Rotating		Note:	231321 Gear—Timing (Used with Pin)			
474	393474	Stator—Alternator (Dual Circuit)	795	490066	Switch Assembly—Key			
474A	392595	Stator—Alternator (Tri—Circuit)	814	392606	Diode and Connector Assembly—Alternator (Tri-Circuit)			
474B	393295	Stator—Alternator	819	93686	Screw—Hex. Hd. (10-32 x 5/8")			
482	93621	Screw—Sem	842	271170	Seal—Oil Filler Cap			
501	394890	Regulator—Alternator (16 Amp.)	847	394394	Dipstick and Tube Assembly			
520	93722	Terminal—Spade	851	221798	Terminal—Ignition Cable			
523	394020	Cap and Dipstick—Oil Filler	858	‡270989	Diaphragm—Damping			
524	271157	Seal—Filler Tube	859	‡271025	Gasket—Carburetor Pump			
525	280224	Tube—Oil Filler	860	‡261358	Spring (2)			
526	93343	Screw—Regulator						
527	223167	Clamp—Fuel Pipe						
528	393815	Impulse Line and Clamp Assembly						
535	271271	Element—Air Cleaner						

*Included in Gasket Set—Part No. 394501.

†Included in Carburetor Overhaul Kit—Part No. 394502.

‡Included in Carburetor Overhaul Kit—Part No. 394502 and Pump Repair Kit—Part No. 393397.