

This manual is for reference and historical purposes, all rights reserved.
This creation is copyright© by M. Butkus, NJ, U.S.A.
These creations may not be sold or distributed without the expressed permission of the producer
I have no connection with any camera company

On-line camera manual library

If you find this manual useful, how about a donation of \$2 to:
M. Butkus, 29 Lake Ave., High Bridge, NJ 08829-1701
and send your e-mail address so I can thank you.
Most other places would charge you \$7.50 for a electronic copy or
\$18.00 for a hard to read Xerox copy.

This will allow me to continue this site, buy new manuals and pay their shipping costs.

It'll make you feel better, won't it?

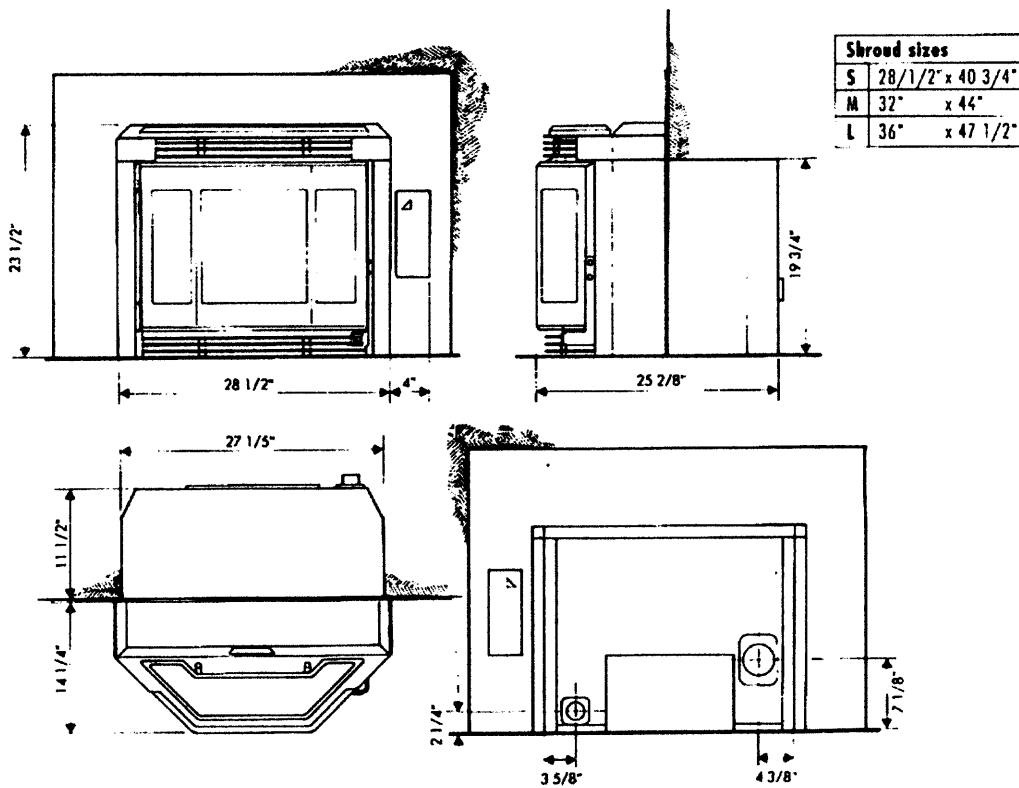
If you use Pay Pal, go to my web site

www.orphancameras.com and choose the secure PayPal donation icon.



MANUAL INTEGRA
INSERT + FREESTANDING

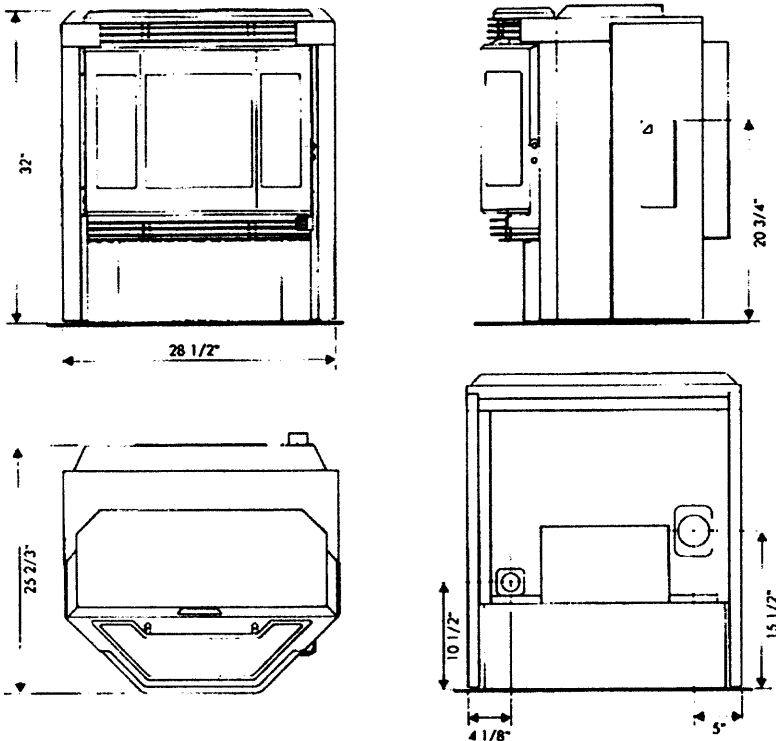
INSTALLATION AND ASSEMBLY
HEATING



Shroud sizes	
S	28 1/2" x 40 3/4"
M	32" x 44"
L	36" x 47 1/2"

INTEGRA SPECIFICATIONS	INSERT	FS
Fuel size/type	Wood pellets 1/4" - 5/16"	
Max. pellet capacity	99 lbs	112 lbs
Max. time of single load operation	60 + hrs	70 + hrs
Heating capacity Sq ft	~2000 - 2500	
Fuel feed - Lbs/hr min	- 1 lb/hr	
max	- 5,6 lb/hr	
EPA Emissionsrate	0,77 g/hr	

	INTEGRA	FS
Weight - Lbs	258	295
Height	23 2/3"	32"
Width	28 1/2"	
Depth	25 2/3"	

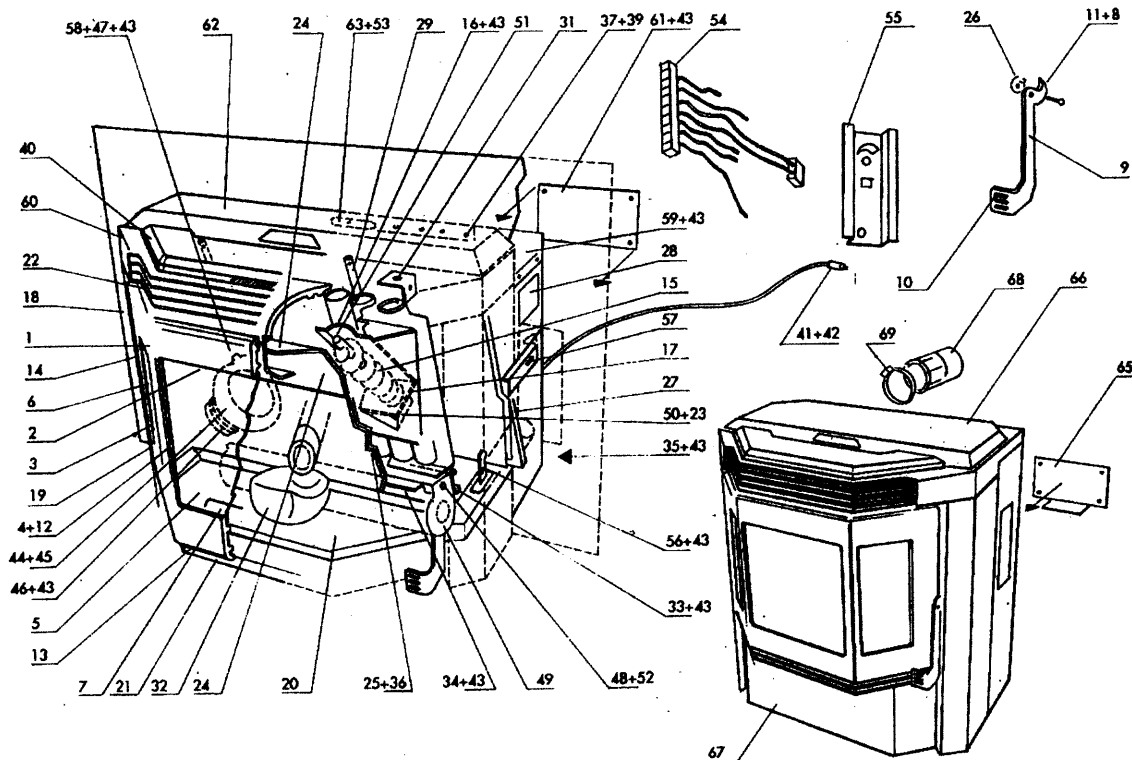


INTEGRA E 10800 130.1/131.1

Parts No.

1	Cast iron door, complete	B 114 18	35	Clean-out door cover + fiberglass gasket	B 117 17
2	Top glass mounting bracket	Z 149 34	36	Insulating plate assembly for hopper	Z 149 54
3	Side glass mounting bracket	Z 149 35	37	Cap nut M4	104 476
4	Center glass retention strips	Z 149 36	—	Maintenance tool "cold hand"	Z 122 06
5	Glass panel, front	Z 148 46	39	Cylinder screws M4 x 6	104 477
6	Glass panel, side	Z 148 47	40	Warming shelf tile (aluminium/ceramic)	Z 157 83
7	Air wash deflector	Z 167 73	41	Cable collar nut	102 721
8	Door roller loich	B 149 37	42	Ul (listed) power cord	102 720
9	Handle, gold	Z 149 38	43	Hexagonal screw 4,8 x 13	105 254
10	Decorative knob on door handle	Z 137 98	44	Gas intake flange (Combustion fan housing)	Z 122 47
11	Door latch handle bolt	104 622	45	Combustion motor flange (Combustion fan housing)	Z 122 48
12	Square washers for retention strips	Z 149 44	46	Combustion fan motor, Hall IC	104 278
13	Round door rope gasket	100 485	47	Gasket, low temperature limit switch	105 389
14	Flat fiberglass gasket for glass	104 062	48	High temperature limit switch, Stemco	B 116 44
15	Auger, welded	B 113 93	49	Convection fan, integra	104 551
16	Cover for auger housing	Z 145 93	50	Auger motor	B 116 96
17	Motor plate for auger	Z 145 92	51	Auger motor mount	102 688
18	Top hinge, gold, complete	B 114 37	52	Cylinder screw M3 x 6	105 027
19	Bottom hinge, gold, complete	B 114 41	53	Mounting plate for hopper lid holder	104 976
20	Ash pan	Z 149 07	54	Wiring harness	B 115 97
21	Bottom fins, black, complete	B 115 45	55	User control board	B 117 68
22	Top fins, black, complete	B 114 61	56	Intake air sensor	B 117 69
23	Auger ring collar and set crew	Z 119 15	57	Internal control board	B 117 86
24	Cast iron top plate, rear wall, combustion chamber	Z 149 12	58	Low temperature limit switch	102 66a
25	Cast iron bottom plate, rear wall, combustion chamber	Z 149 13	59	Cover over hopper	Z 158 21
26	Adjustable door cam, welded	B 114 17	60	Top stove, steel	Z 149 45
27	Mineral wool heat shield	Z 155 34	61	Gear guard	Z 149 25
28	Stick-on wiring diagramm	Z 150 45	62	Hopper lid	B 113 32
29	Heat exchanger cleaning rod, black chrome	Z 149 24	63	Hopper lid holder	Z 149 77
—	Operating manual, integra	105 151	65	Gear guard	Z 157 79
31	Angle bracket for stove top	Z 152 91	66	Hopper lid	B 116 84
32	Fire pat	Z 149 26	67	Pedestal	B 113 84
33	Convection fan bracket	Z 149 28	68	Pipe connection, aluminum	Z 174 94
34	Deflection plate, bottom, for convection fan	Z 149 29	69	Clamp collar	106 161

Only insert
Only FS

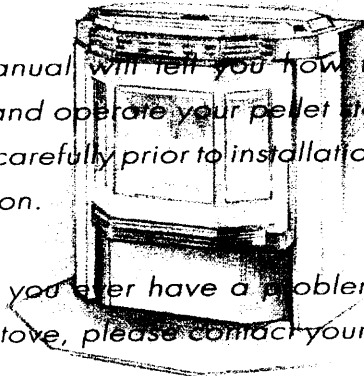


***Congratulations - you have
made the right decision!***

You are now the owner of one of the finest pellet stoves on the market. AUSTROFLAMM pellet stoves are known for state-of-the-art technology, good workmanship, well thought-out design, and high operational safety.

This manual will tell you how to correctly install and operate your pellet stove. Please read it carefully prior to installation and stove operation.

Should you ever have a problem with your pellet stove, please contact your



Authorized AUSTROFLAMM Dealer

***Austroflamm Customer Service
2210 Alexander Street
Salt Lake City, Utah 84119
HOT LINE: 801-972-9400***

We will be happy to help you!

*We are sure that you will enjoy
your pellet stove.*

The team at AUSTROFLAMM

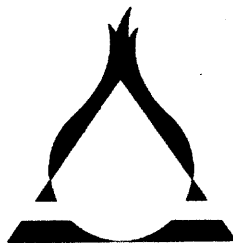


TABLE OF CONTENTS

AUSTROFLAMM - an overview 2

INSTALLATION AND ASSEMBLY

About packaging 3
 Safety precautions 4/5
 Labels 6
 Exhaust system 7/8
 Installing the Integra insert 9
 Stove assembly/options 10/11
 Thermostat option 12
 Installation Integra FS/Installation of Insert
 in combustible framework 13
 Mobile home 14

HEATING

Heating philosophy 15
 What are pellets 16/17
 Technology 18

Electronic air sensor 19
 Control panel 20
 How to start your fire 21
 Adding fuel 22
 Safety features 23

Routine maintenance 23/24
 Troubleshooting guide 25/26

Our warranty 27
 Quality/warranty claims 28

EXPLANATION OF SYMBOLS

Practical information



See page . . . for further information



See technical drawing -
 inside double cover page



Important information



A BRIEF WORD ABOUT PACKAGING

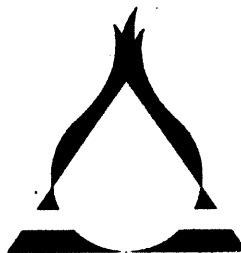
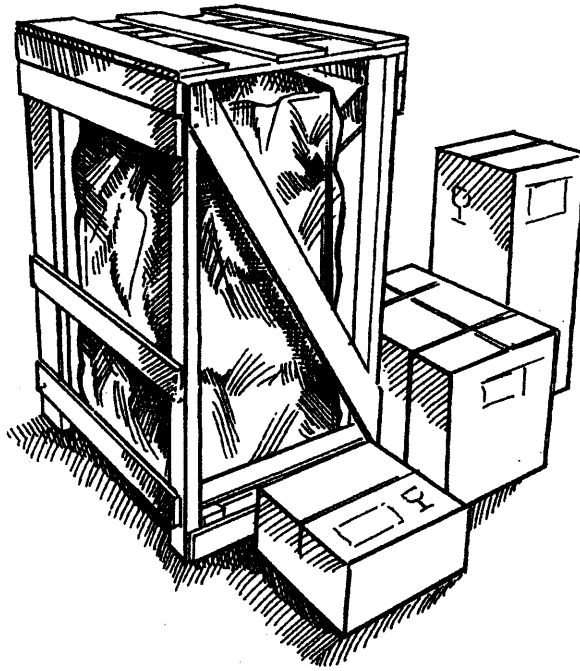
Your first impression is important to us

The crate your new stove arrives in offers excellent protection against damage. Nonetheless, both stove and accessories may suffer damage during transportation.

It is therefore important to carefully check your stove for damage and to make sure that all components are included! Contact your stove dealer immediately if there are any problems.

The packaging material used to crate your stove is environmentally friendly:

The wood of the crate has not been surface-treated and is an excellent fuel material for woodstoves. The carton and foil material (polyurethane) can easily be recycled.



SAFETY PRECAUTIONS



§

Safety Notice:

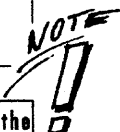
The stove must be properly installed in order to prevent the possibility of a house fire. For your own safety, you must adhere strictly to the installation instructions. Contact your local building officials to obtain a permit and information on any installation restrictions and inspection requirements in your area.

This stove is not intended for use in commercial installations!



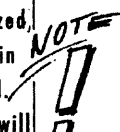
The stove's exhaust system works with negative combustion chamber pressure and a slightly positive chimney pressure. It is therefore imperative that the exhaust system be airtight and installed correctly.

AUSTROFLAMM/RIKA Industries grants no warranty, implied or stated, for the installation or maintenance of your stove and assumes no responsibility for any consequential damages.



A smoke detector MUST be installed in the vicinity of this stove.

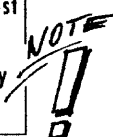
The AUSTROFLAMM Integra pellet stove is designed and approved to burn pelletized, bio-mass fuel only. Burning solid fuel in other than pellet form is not permitted. Failure to comply with this restriction will void all warranties and the safety listing of the stove.



With correct operation the AUSTROFLAMM Integra pellet stove can not be overfired. Continuous operation at maximum burn can, however, shorten the life of the electrical components (blowers, motors, and electronic controls) and is not recommended.



Gasoline or other flammable liquids must NEVER be used to start or "freshen up" the fire. Keep all such liquids well away from the stove at all times.



There may be some build-up of dust and minor quantities of soot or creosote in the exhaust vent over the burn season. Although this will be minimal with correct operation, it is advisable to perform precautionary inspections (and clean the stove, if necessary) on a regular basis.

Note: Disconnect power before performing any routine maintenance.

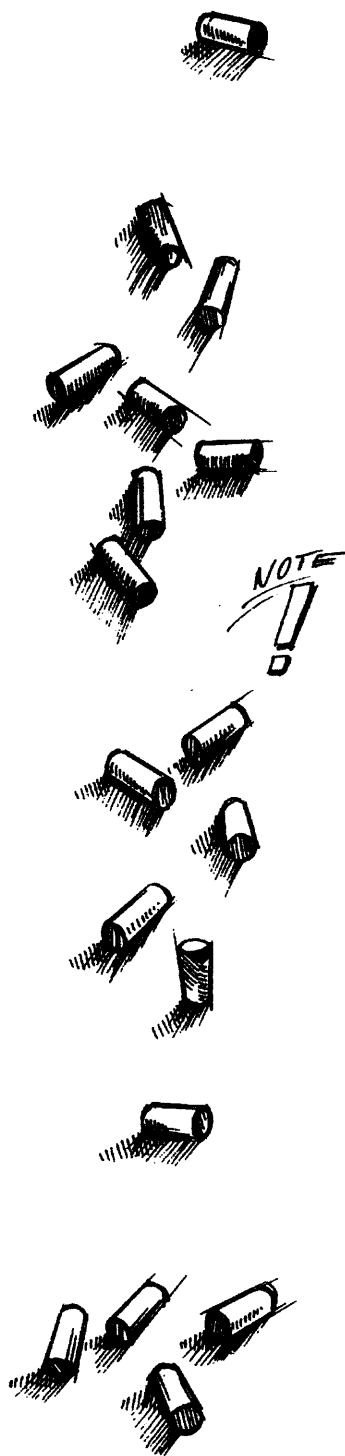


Ashes removed from the AUSTROFLAMM Integra pellet stove must be deposited in a metal container with a tight-fitting lid. The closed ash container should be placed on a non-combustible surface pending final disposal.

The stove comes with a seven foot grounded electrical cord. This cord should be connected to a standard 110 volt, 60 Hz electrical outlet. The approximate power requirement is 130 watts. The power supply cord must be routed to avoid contact with any of the hot or sharp exterior surface areas of the stove. In addition, all AUSTROFLAMM Integra pellet stoves installed in a mobile home must be electrically grounded to the steel chassis of the home and bolted to the floor in compliance with and according to H.U.D. requirements.

SEE PAGE 74





Burning with insufficient combustion air will result in the formation of soot, which will be deposited in the flue pipe and the heat exchanger. If the stove then vents through the wall, it will stain the outside of the house. This is a hazard in addition to being an inefficient and wasteful use of pellets. Check your stove frequently and adjust as required.

The pellets burned in the stove are fed by an auger. This auger is driven by a high-torque motor. The auger is capable of causing serious injury to fingers. Keep pellets in the hopper at all times, and keep your fingers away from the auger. The auger may start unexpectedly when the stove is running!

Safety testing

The AUSTROFLAMM Integra FS pellet stove has been independently tested and listed with EEMC, Kent, WA, an accredited testing laboratory, in accordance with the specifications and procedures outlined in US 1482 for solid fuel room heaters, stating requirements for installation as a room heater. (The safety listing label is located on the back of the stove).

The Integra insert was tested and is listed with OMNI, Beaverton, Oregon, in accordance with the same specifications and procedures (see label on stove).

The stove is designed specifically for use with pelletized fuels only. It is tested and listed for residential installation according to current national and local building codes.

EXHAUST SYSTEM

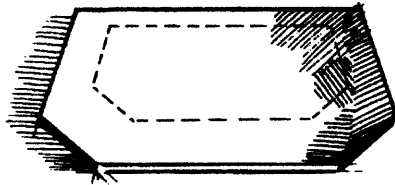


It is recommended that only an authorized dealer install your pellet stove.

The following installation guidelines must be followed to ensure conformity with both the safety listing of this stove and with local building codes.

FLOOR PROTECTION

The AUSTROFLAMM Integra pellet stove must be installed on a non-combustible surface. A single-layer 3/8" non-combustible floor area or equivalent is required.



Design Guidelines for the Exhaust System



The stove must be connected to a listed pellet pipe.

A 3" single-wall stainless steel flexible or rigid exhaust pipe should be used for Insert installations and be attached to the stove with a single or double wall stainless steel "tee" with a clean-out cap. When venting into an existing chimney (masonry or factory-built), the chimney must be inspected and cleaned and all creosote removed.

The exit terminal must be located no less than 60 inches from any opening through which combustion products could enter the building (i. e. windows and doors), no less than 24 inches from an adjacent building, and no less than seven foot above grade, when located adjacent to public

walkways. It must be arranged so that exiting flue gases will not be a hazard to people, overheat combustible structures, or enter the building.

Keep brush, plants, and shrubs at least 36" away from vent termination.

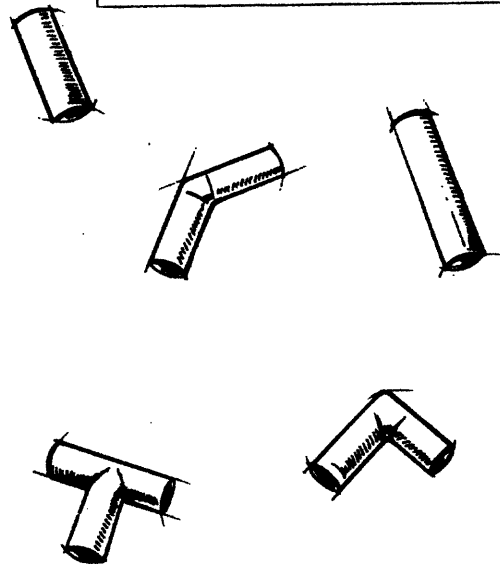


It is recommended that a single or double clean-out "tee" be installed at every 90 degree junction to provide for the collection of fly ash and to permit periodic cleaning of the exhaust system.

(90 degree elbows accumulate fly ash and soot, thereby reducing exhaust flow and stove performance of the stove.)



The total length of the horizontal vent must not exceed 30 ft! The "PL" vent or single-wall stainless exhaust system must be installed so as to be GAS-TIGHT! The vent manufacturer's installation procedures must be followed. In addition, pipe connections, joints, and all pipe seams within the home should be sealed with high-temperature silicone sealer (RTV).



To determine whether a 3 inch or a 4 inch exhaust system should be used, follow the guidelines below.



1. Determine equivalent length of exhaust pipe in feet for proposed installation, using the following guidelines:

- Horizontal straight pipe = 1 x actual length ft.
- Vertical straight pipe = 0.5 x actual length ft.
- 90 degree elbow or tee = 5 ft.
- 45 degree elbow = 3 ft.

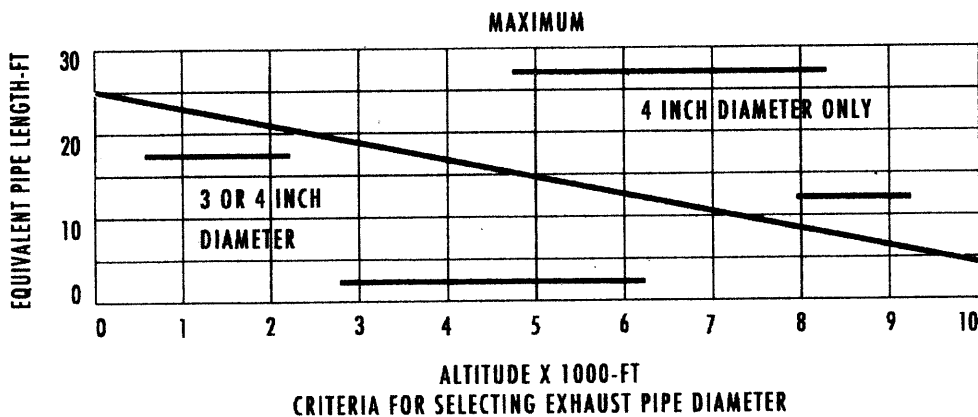
2. Determine whether a three or four inch pipe is necessary, based on equivalent pipe length, using the calculations above and the altitude of the installation found on the diagram below.

Sample Calculation, Equivalent Pipe Length:

- a) Horizontal pipe = 1 x (2 + 1) = 3 ft.
- b) Vertical pipe = 0.5 x 8 = 4 ft.
- c) 90 degree tee = 2 x 5 = 10 ft.
- d) 45 degree elbow = 1 x 3 = 3 ft.
- Total = 20 ft.

For example, if the stove is installed above 2,500 ft. altitude, a 4" diameter exhaust vent is required.

Below 2,500 ft. altitude, a three inch or four inch diameter is appropriate.



INSTALLING THE INTEGRA PELLET STOVE INSERT

The Integra pellet stove may be installed in a variety of applications, as discussed below. The insert may be installed in **a.** listed, factory-built fireplaces; **b.** masonry fireplaces; **c.** a newly constructed combustible framework, or **d.** Custom Hearth® stand-alone fireplaces.

Do not remove brick or mortar from the fireplace to accommodate the insert. For masonry chimneys a direct connection from the exhaust to the first tile liner is required, and it is important that the flex pipe terminate no less than 12" above the air-tight seal. For a combustible framework, the opening must be a minimum of 25" high and 39" wide, with 2" of clearance to the back of the stove and floor protection of 1/2" USG Micore and 24 gauge sheet metal, or equivalent.



A full reline vent system is not required but is recommended. Factory-built fireplaces and zero clearance fireplaces require a listed stainless steel liner from the exhaust to the termination of the fireplace chimney.

Floor protection in front of the stove must be a minimum of 3/8" thick, made of non-combustible material or equivalent, extending in front of the unit four inches and four inches to the sides at the front. The hearth extension clearance is six inches.

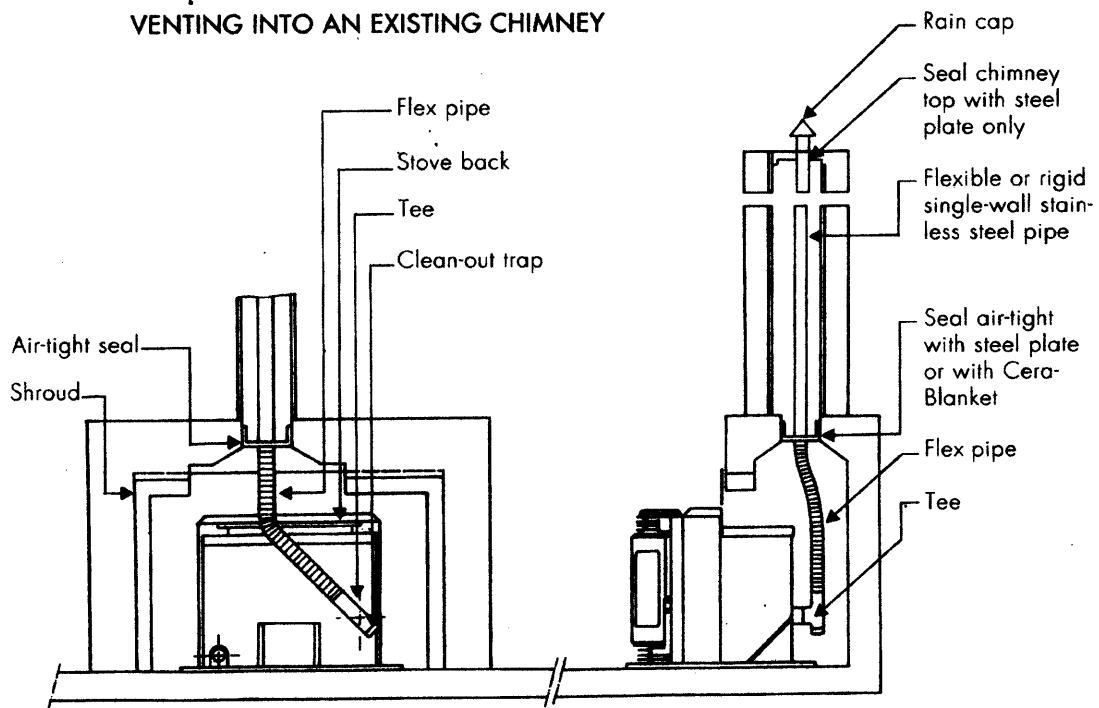


Before completing the installation by pushing the insert into its position in the fireplace, we recommend that the unit and all its components be fully assembled.



For detailed information on the dimensions of the unit or questions about installation, please see drawing or consult your dealer.

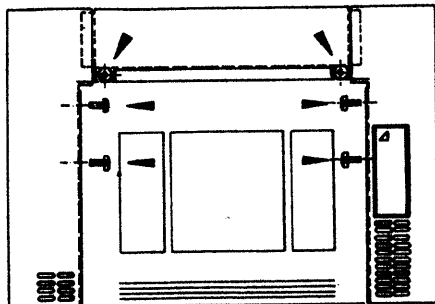
VENTING INTO AN EXISTING CHIMNEY



STOVE ASSEMBLY

The Integra insert requires a 3-piece shroud for proper installation. The shroud comes in three different sizes to cover most fireplace openings. The right side of the shroud has a pre-mounted door for easy installation of the control panel.

1. Remove the rear hopper cover.
2. Mount left and right shroud side panels with two screws per panel on the stove, matching pre-cut holes in panels with those in the hopper walls behind the side panels.
3. Attach top shroud panel to side panels from behind, then secure from inside the hopper with two front-mounted screws. Replace rear hopper cover.
4. Install control panel according to instructions below.



5. Slide the assembled insert and shroud into fireplace opening.

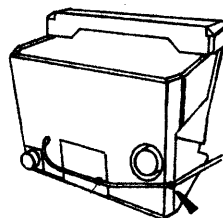
The three shroud sizes available are:

	Height	Width
Small	28-1/2"	x 40-3/4"
Medium	32"	x 44"
Large	36"	x 47-1/2"

During installation caution must be used to avoid damage to the auger motor located at the bottom rear side of the stove!



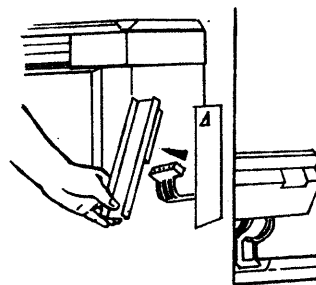
NOTE
For electrical connection on the left side of the fireplace or stove snap the cord into the mounted clip and make sure that the cord does not touch the surface of the combustion motor or exhaust vent!



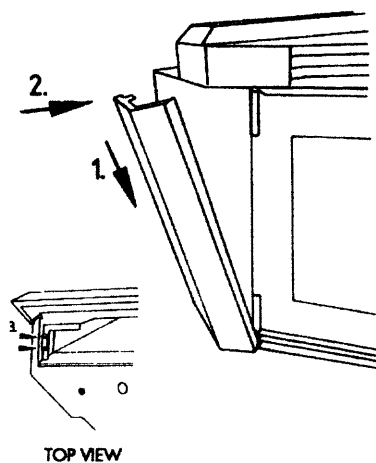
CONTROL PANEL INSTALLATION

Unplug stove prior to installation !

The Integra Pellet-Stove has an internal electronic control board mounted in the stove and a user control panel mounted on the stove shroud. The user control panel is mounted to a steel bracket for easy installation into the side shroud using a single fastener. The user control board can be removed or replaced without removing the side shroud. There is a control cable with a quick-disconnect plug that is used to connect to the control board mounted on the side of the hopper. The other end of the control cable is permanently attached to the internal control board. If the thermostat is used, its two wires should be inserted through the grommet located at the back of the stove and connected to the terminal block. Also the blower and motor wires attach directly to quick disconnects on the terminal block as indicated on the hook-up diagram.



STOVE ASSEMBLY/OPTIONS



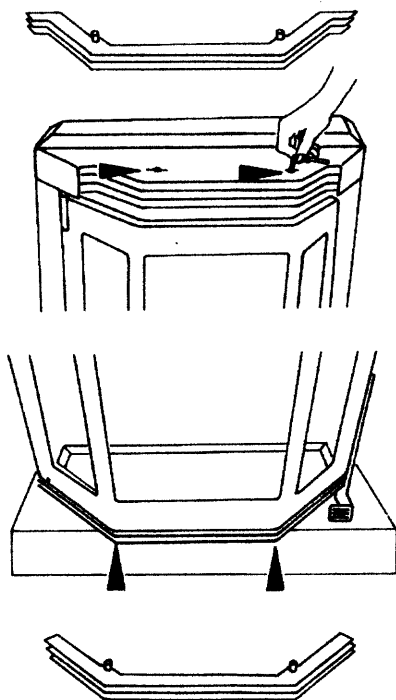
ATTENTION: Do not allow loose screws to fall into the hopper!
They will jam the auger and damage the stove!

To install the interchangeable steel sides, align two holes at the bottom of the steel side panel with the two pins at the bottom of the stove floor plate.

1. Push panel toward stove until vertical
2. Secure top with two screws from inside the hopper
3. Repeat on other side of stove.

GOLD-PLATED FINS FOR TOP AND /OR BOTTOM

Top fins may be replaced with the optional gold-plated fins, using the following procedure:



1. Set the warming shelf tile off to the side and out of the way.
2. Remove the fins from the top cover of the stove, using the Allen wrench, and secure the new brass fins with the same screws.
3. Reassemble in reverse order.

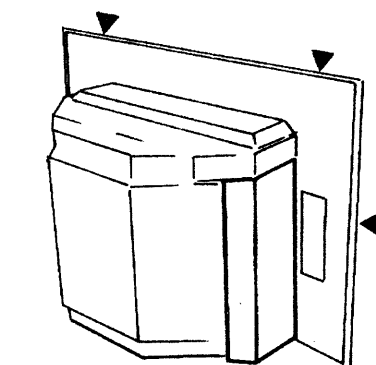
The bottom fins are replaced in the same manner, but the bolts are removed from the underside.



The bottom fins can only be changed before the stove is installed.

GOLD-PLATED SHROUD TRIM

To enhance the beauty of the Integra insert, gold-plated shroud frames are available. They are installed simply by sliding them onto the outside edges of the shroud.

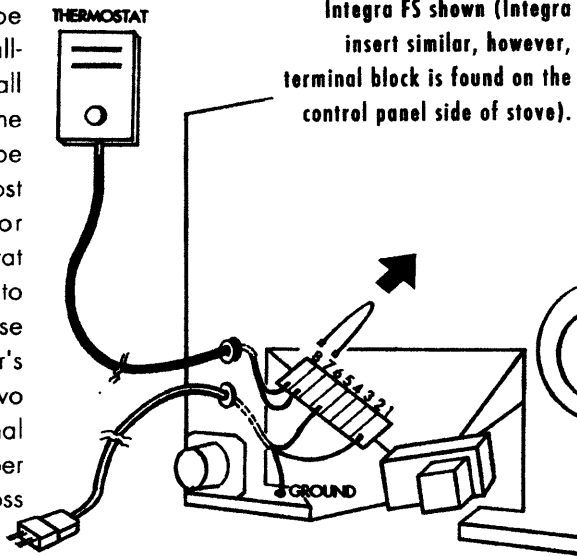


THERMOSTAT OPTION

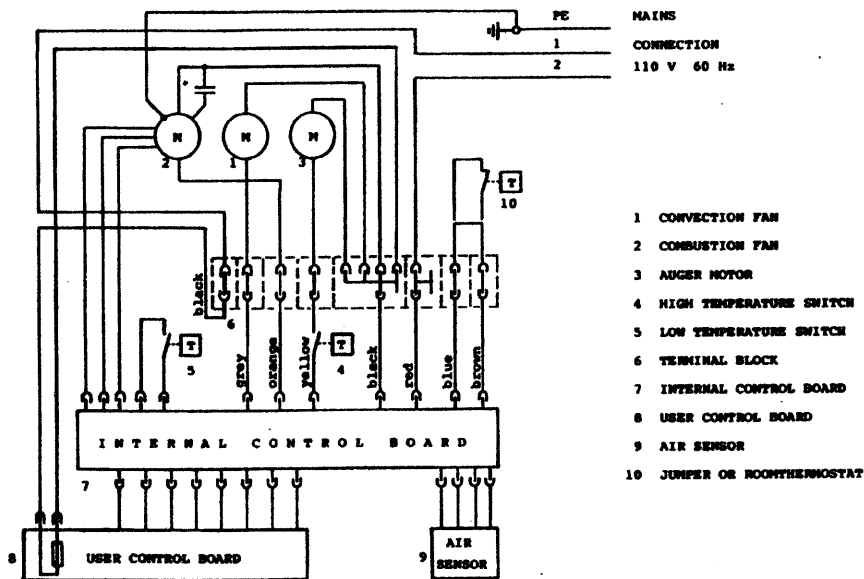
INSTALLATION OF WALL THERMOSTAT:

The Integra Pellet Stove can be installed with and operated by a wall-mounted thermostat. However, a wall thermostat is not supplied with the stove. A wall thermostat can be purchased from your dealer or at most home improvement centers or hardware stores. The wall thermostat will have instructions with it as to where to place it in the room. Please follow the thermostat manufacturer's instructions carefully. There are two male spade terminals on the terminal blocks, number 7 and 8. A jumper wire will be found in place across these terminals and must be in place for the stove to operate on MANUAL control. The jumper wire must be removed to connect the wall thermostat (see illustration).

The optional thermostat allows the stove to switch between a high-heat setting (DEMAND) and a low setting (PILOT) at the command of the wall-

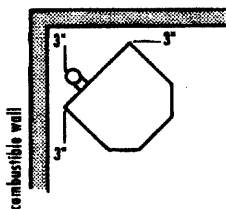
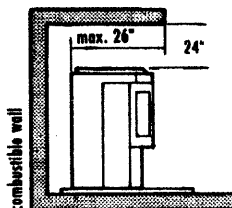
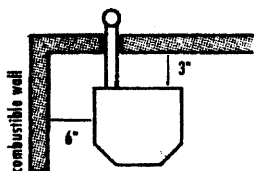


mounted thermostat. The DEMAND setting is controlled by the "Power Knob" selector switch. Minimum through maximum settings may be chosen in the DEMAND mode, depending on the heat output desired. While in the PILOT mode, the stove automatically adjusts itself to 50% of the power selected.

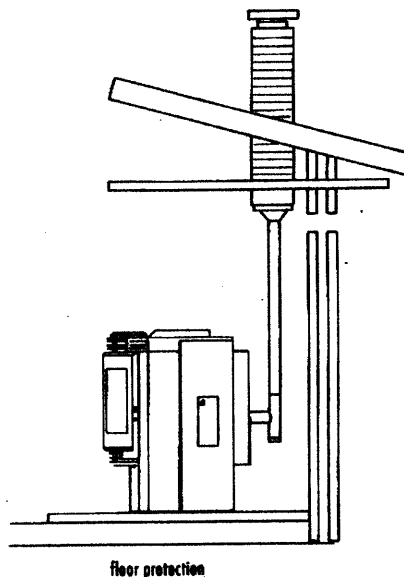
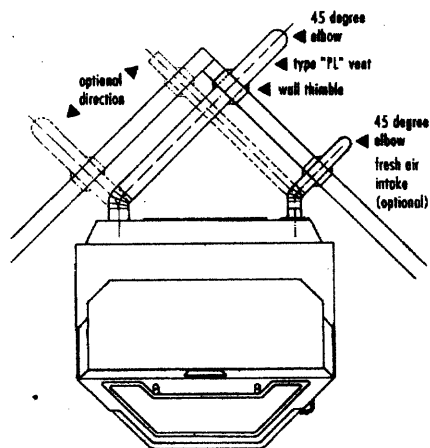
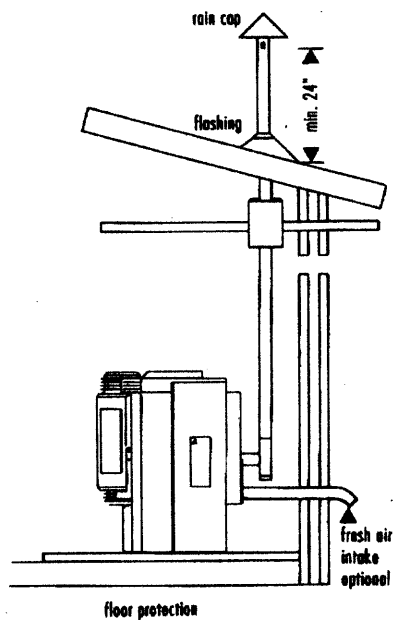
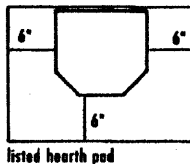


INSTALLATION FS/INSTALLATION IN COMBUSTIBLE FRAMEWORK

Clearances to combustibles



Floor protection

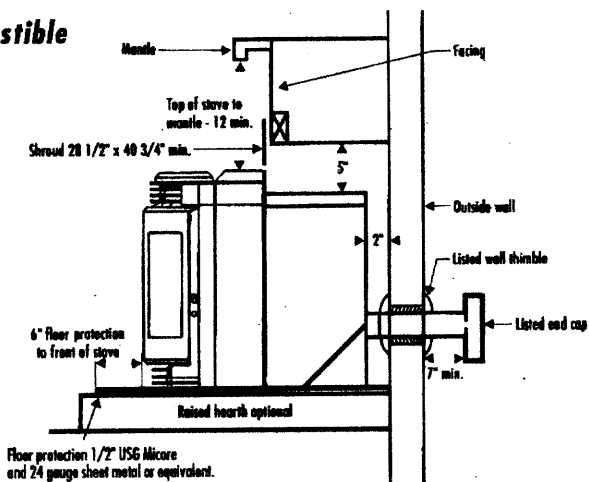


For detailed information on the dimensions of the unit or questions about installation, please see drawing or consult your dealer.



Installation of Insert in combustible framework

Center stove in minimum opening of 25" high and 39" wide.



Floor protection 1/2" USG Micore and 24 gauge sheet metal or equivalent.

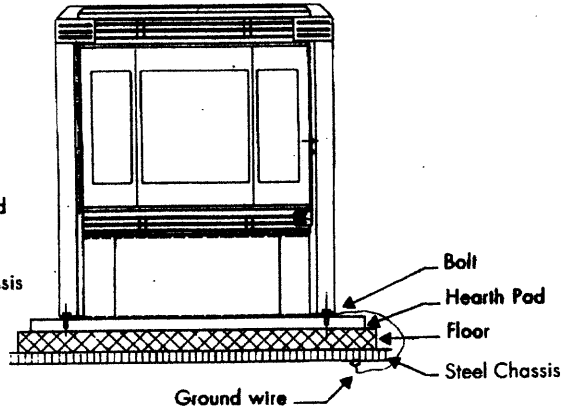
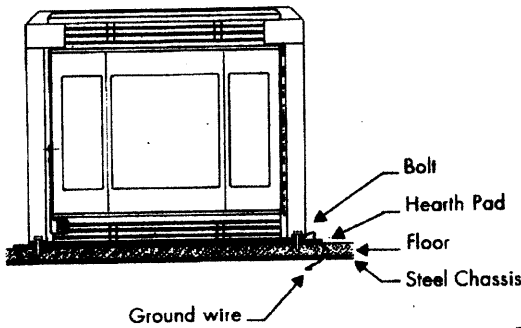
MOBILE HOME INSTALLATION

In addition to our standard installation instructions the following requirements are mandatory for installation in a mobile home:

1. Stove must be permanently bolted to the floor.

2. Stove must have permanent outside air source.

3. Stove must be permanently electrically grounded to the steel chassis of the home.



Design guidelines for outside combustion air connection

1. A connection to the outside is **REQUIRED** for mobile home installations.

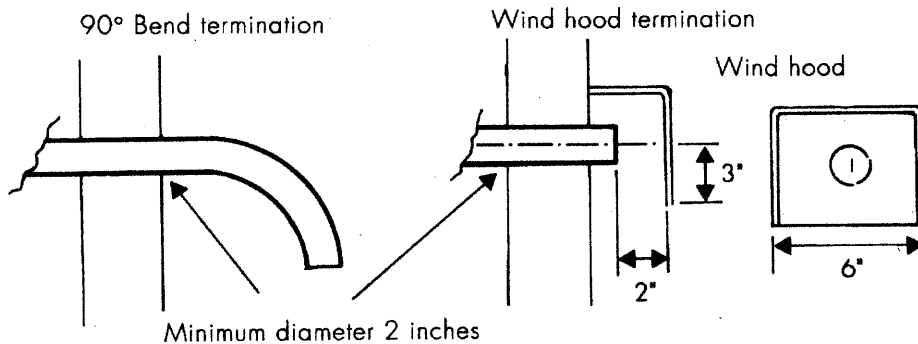
2. Only steel pipe with a two inch outside diameter is approved for use as outside air connection (straight or flexible). PVC pipe or aluminum pipe is **NOT** approved and should never be used.

3. If the air inlet is connected to the outside, it **MUST** be terminated with a vertical 90 degree bend (down) or with a wind hood (see diagram

below). Failure to do so could result in a "burn back" during high winds blowing directly up the air inlet during a simultaneous power failure.

4. Blockage, excessive length, or bends in the air intake pipe will starve the stove of combustion air.

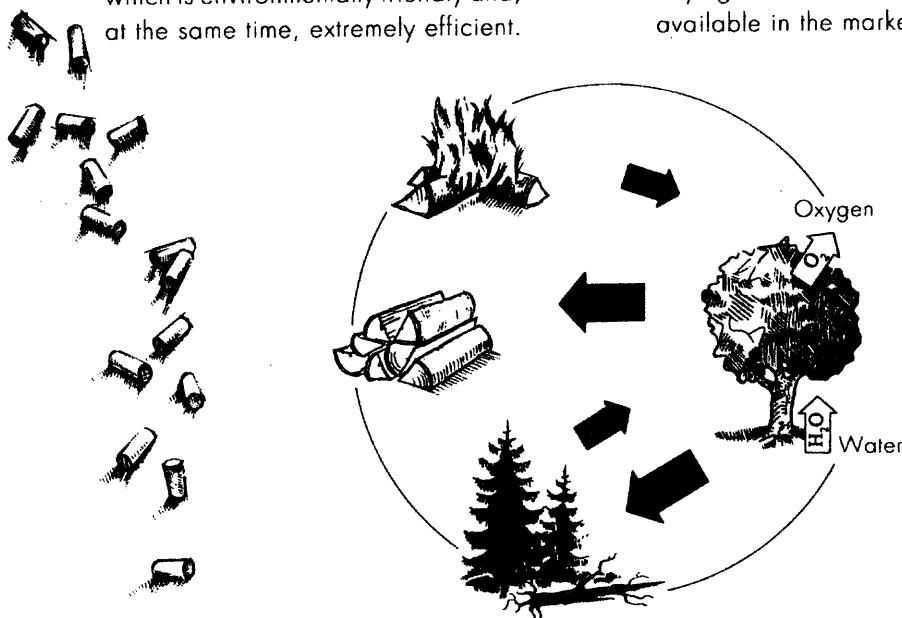
A 90 degree bend is equivalent in restriction to approximately 30 inches of straight inlet pipe.



A NEW HEATING PHILOSOPHY

In today's world, anyone manufacturing and marketing heating appliances has more than just the responsibility of producing a quality, safe product. It is essential that wood heating appliances apply technology which is environmentally friendly and, at the same time, extremely efficient.

Austroflamm is 100% committed to this obligation. Austroflamm continues to do research and development in pellet stove combustion technology. This gives you, as an Austroflamm customer, the assurance that you are buying the most advanced product available in the marketplace.



WHY HEAT WITH PELLETS?

Chemically speaking, burning wood is exactly the same process as wood rotting by itself. Rotting wood as well as burning wood releases CO_2 . It is CO_2 that trees need to grow, and, therefore, burning wood has no any negative impact on the CO_2 cycle. Heating with pellets means that the burning process is very carefully controlled, and wood is added to the combustion process only in precise quantities. This results in the optimized and therefore environmentally friendly incineration of wood. In the past,

waste wood products were simply discarded into local landfills to rot. Heating with pellets is an economical and a distinctly advantageous alternative to dumping. It is a natural and intelligent method of recycling. Heating with your Austroflamm pellet stove is designed to be easy and user-friendly. Because of its exceptionally large hopper, low pellet consumption, and very simple control panel, your Austroflamm pellet stove is, indeed, easy and convenient to operate.

