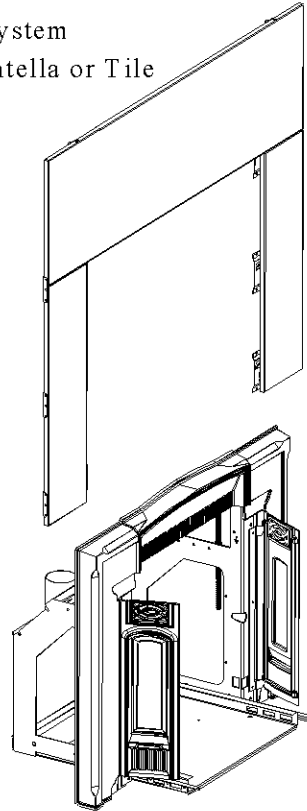


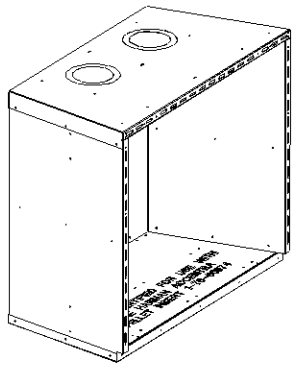
Accentra Insert ZC Box

Installation Instructions

Harman Mantel System
Surround kit (Mantella or Tile)

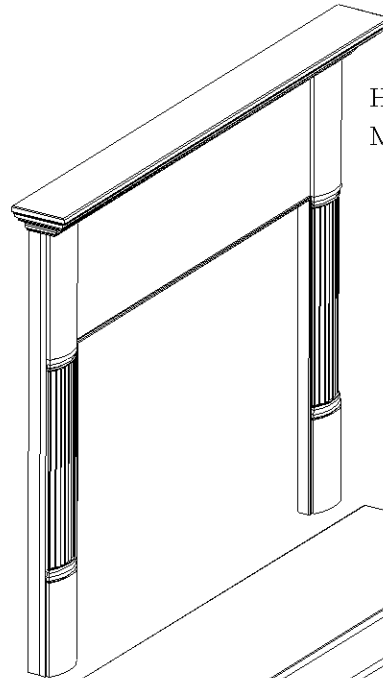


Accentra Insert ZC Box

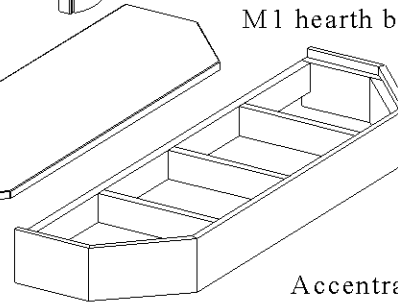


Accentra Insert
Mounting Frame

Harman Mantel System
M1 Mantel

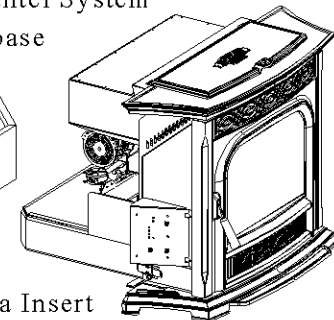


Harman Mantel System
M1 hearth base



Harman Mantel System
hearth kit (Mantella or Tile)

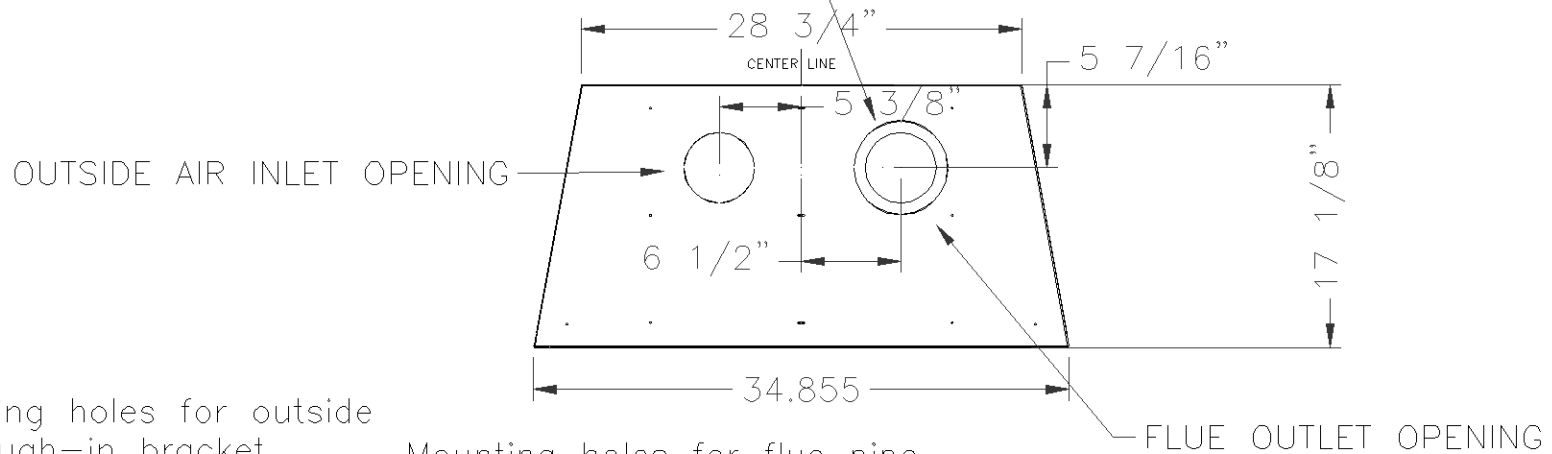
Accentra Insert



NOTE: When fiberglass insulation is placed directly on top of the zc box it should not touch the vent pipe. The outer ring knockout of the flue pipe opening is designed to install a standard 6" sheetmetal starter collar and a short length of pipe to keep the insulation from touching the vent pipe.

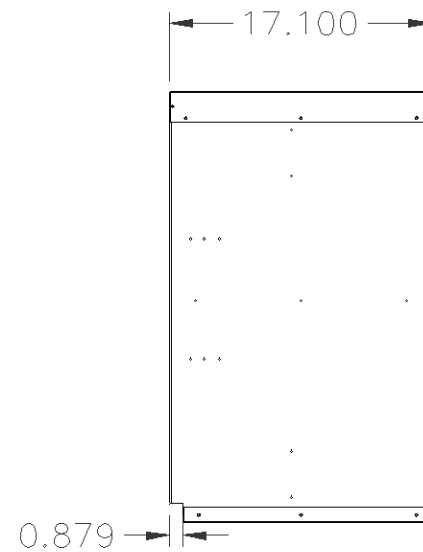
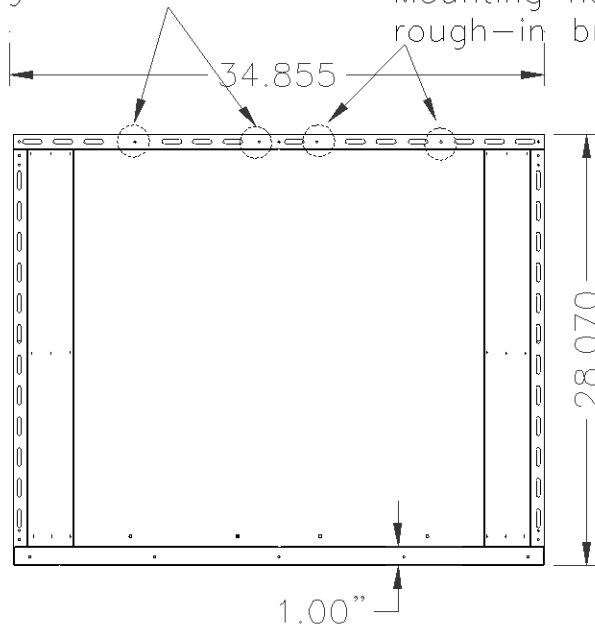


ACCENTRA INSERT ZC BOX



Mounting holes for outside air rough-in bracket.

Mounting holes for flue pipe rough-in bracket.



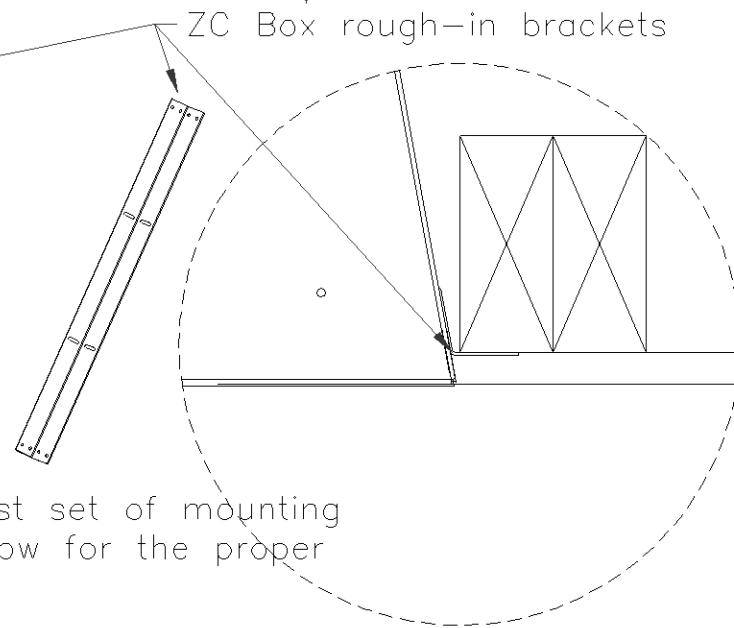
These brackets ARE NOT designed to support the weight of the cabinet and the Accentra Insert. They are only to maintain the proper rough-in distance of the cabinet. Adequate framing under the hearth and ZC cabinet MUST be provided. NOTE: These brackets will not be used if a Mantella/Tile support kit # 1-00-674077 is used.

The finished face of the fireplace facade "MUST" be flush with the ZC box front face (the face with all of the slots) when completed.

NOTE:
See following pages for rough-in instructions for other facing materials.

Choose the closest set of mounting holes that will allow for the proper rough-in depth.

Tighten the two Teck screws in the slotted holes when the proper distance is obtained, then screw two more Teck screws into the top and bottom holes of the bracket.



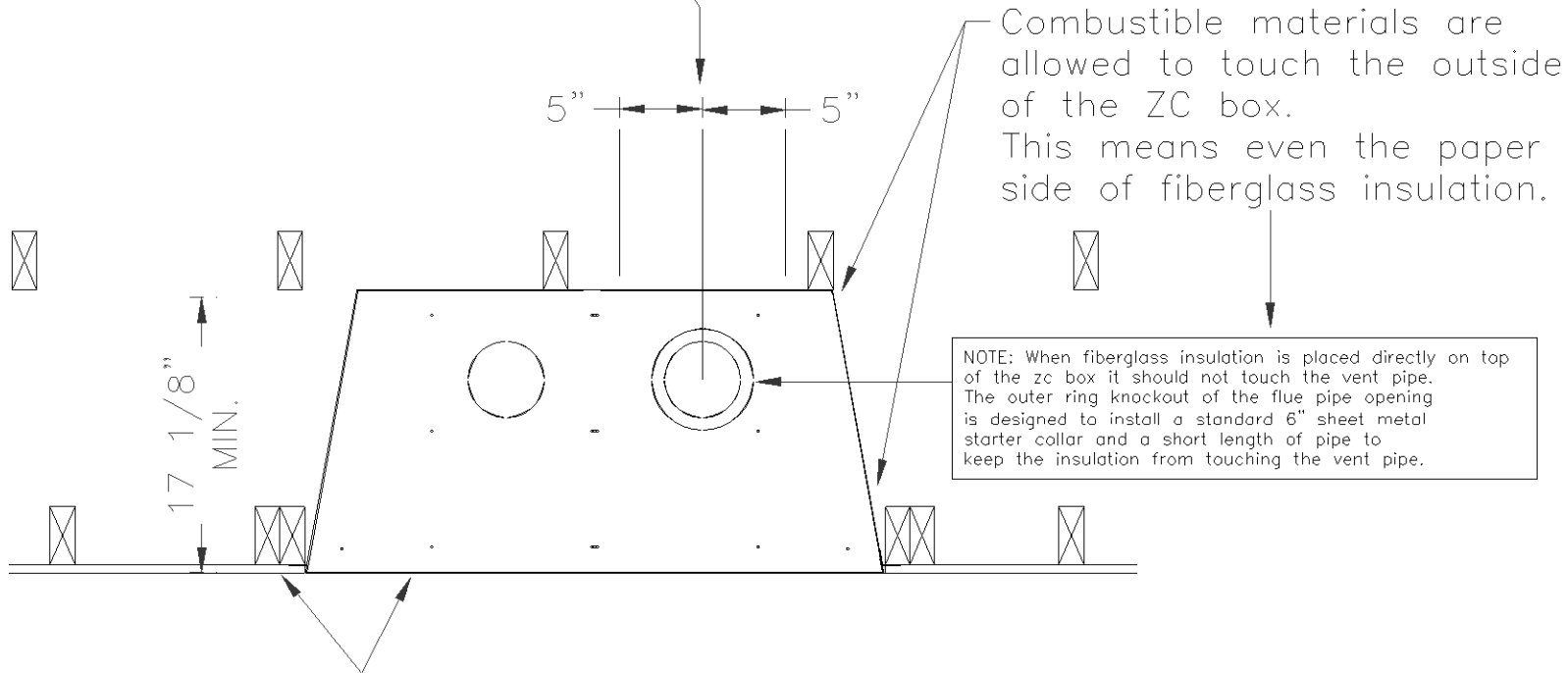
Caution should be taken
NOT TO HAVE a stud within
5" of the center line of
the flue pipe.

(Use PL Vent Pipe ONLY)

This should allow room for any
PL Vent certified wall pass through.



ACCENTRA INSERT ZC BOX



The finished face of the fireplace facade, "MUST" be flush with the ZC box front face (the face with all of the slots) when completed.

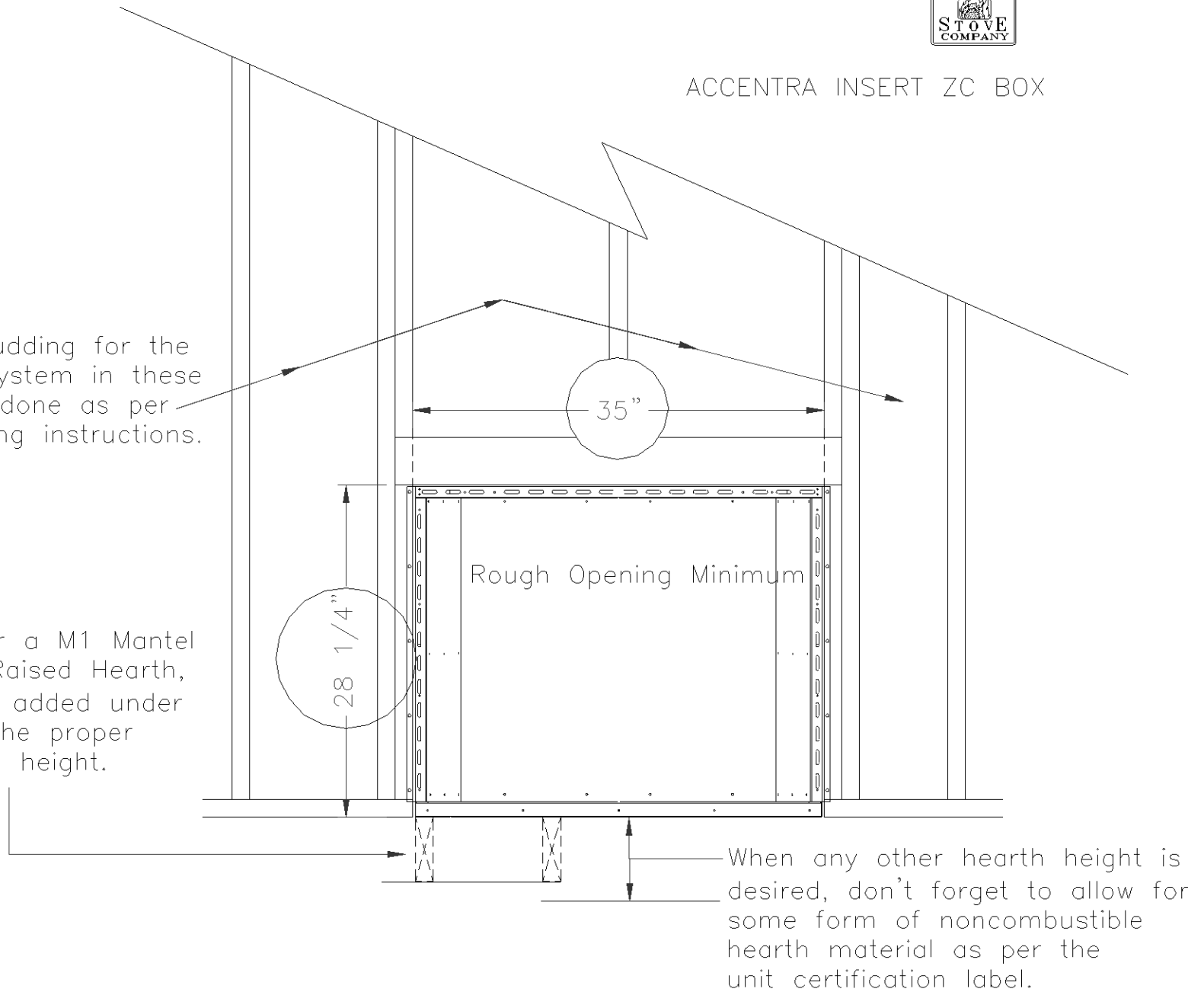
NOTE:
See following pages for rough-in instructions for other facing materials.



ACCENTRA INSERT ZC BOX

Any additional studding for the Harman Mantel System in these areas should be done as per the mantel framing instructions.

When framing for a M1 Mantel with a Harman Raised Hearth, 5 1/2" must be added under the zc box for the proper hearth to zc box height.



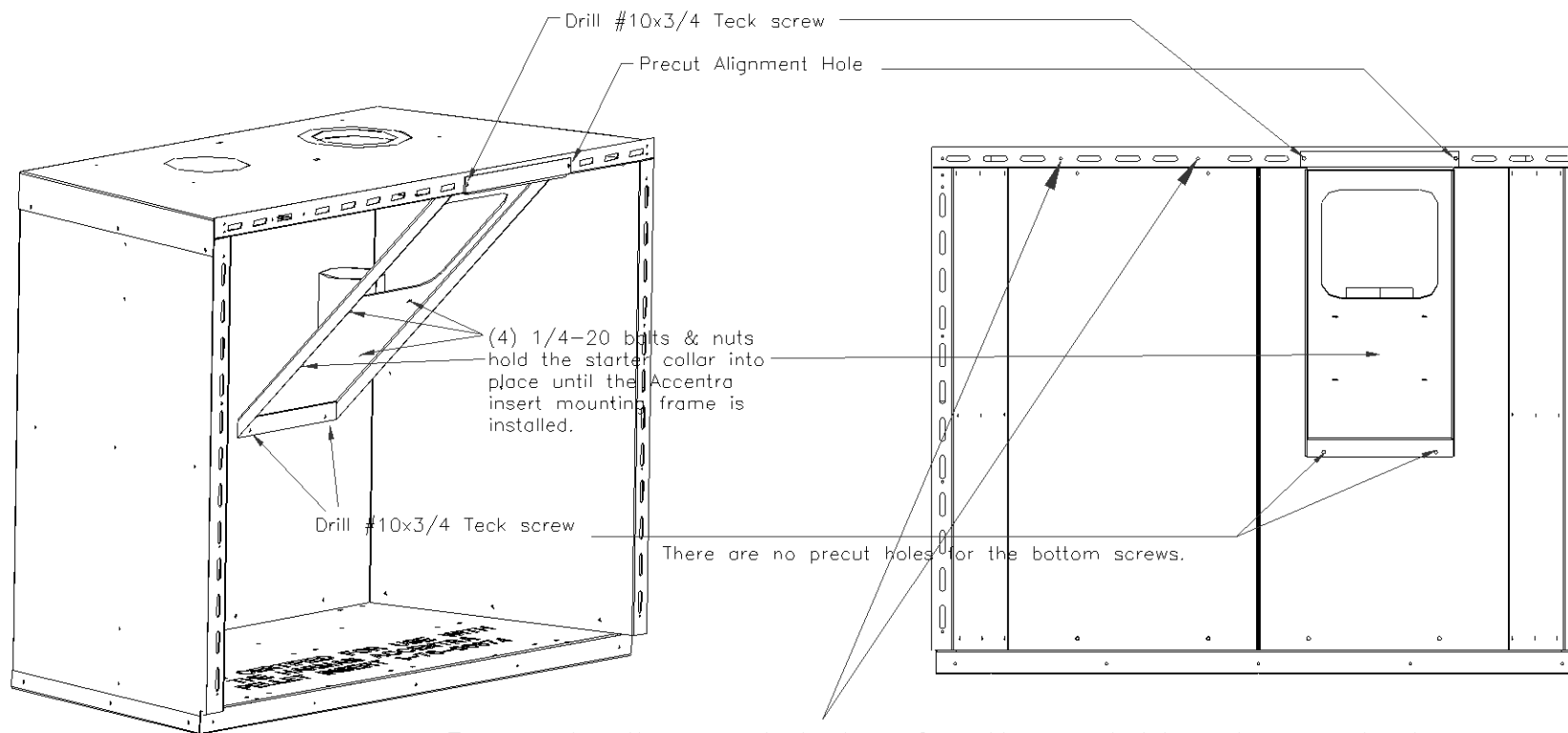


ACCENTRA INSERT ZC BOX

Flue Pipe Rough-in Support Kit # 1-00-674119

Harman insert to vent pipe stub for 3" PL Vent Pipe #1-00-674039

Harman insert to vent pipe stub for 4" PL Vent Pipe #1-00-674040



Pre cut alignment holes for the outside air rough-in.

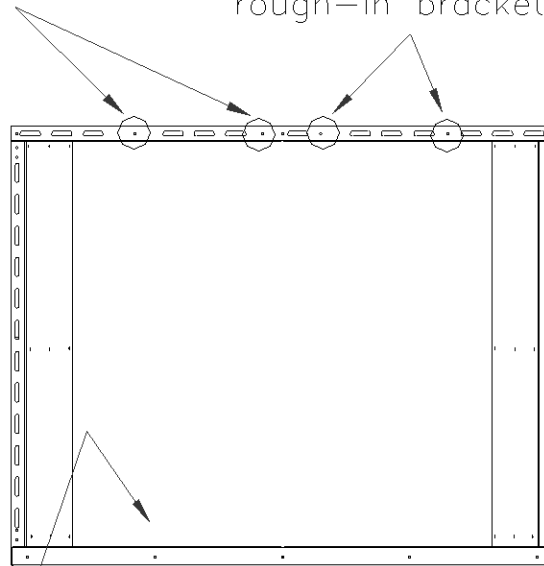
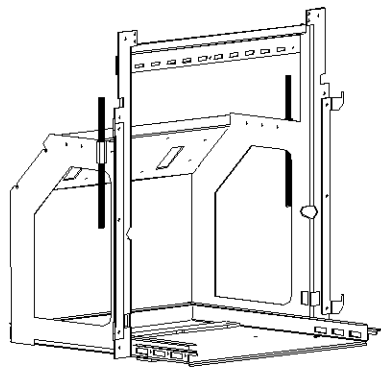
A second rough-in support kit #1-00-674119 is used for the outside air rough-in. The 3" flex pipe starter stub is part of kit # 1-00-674080

Mounting holes for outside air rough-in bracket.

Mounting holes for flue pipe rough-in bracket.



ACCENTRA INSERT ZC BOX



There are 5 mounting holes in the bottom plate of the mounting frame.

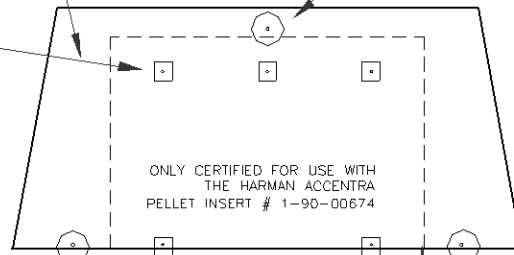
Bottom view

(3) CIRCLES

There are 3 cabinet mounting holes in the bottom that go all the way through the base of the cabinet. These holes allow the installer to secure the cabinet to the hearth sub framing.

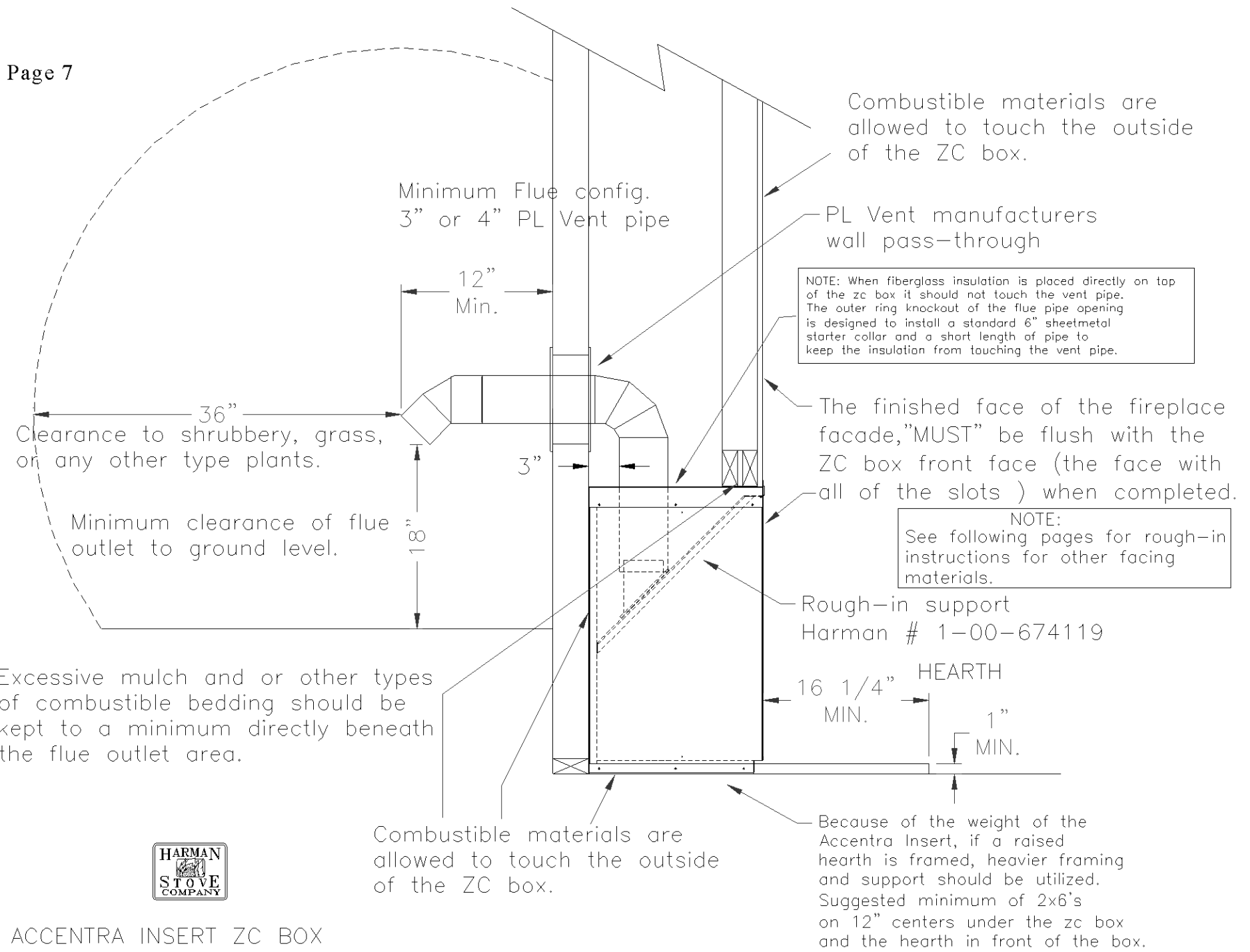
(5) SQUARE BOXES

There are 5 small holes in the bottom of the cabinet that match the holes in the mounting frame of the Insert. They are to be used to secure the insert mounting frame into the cabinet after rough-in has been completed.



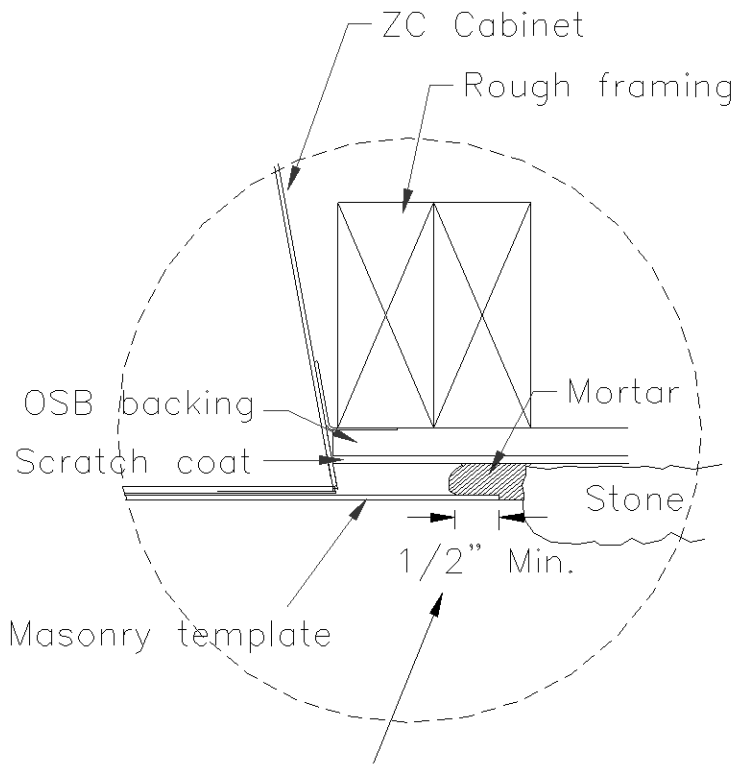
ONLY CERTIFIED FOR USE WITH THE HARMAN ACCENTRA PELLET INSERT # 1-90-00674

Accentra Insert footprint when installed into cabinet.



ACCENTRA INSERT ZC BOX

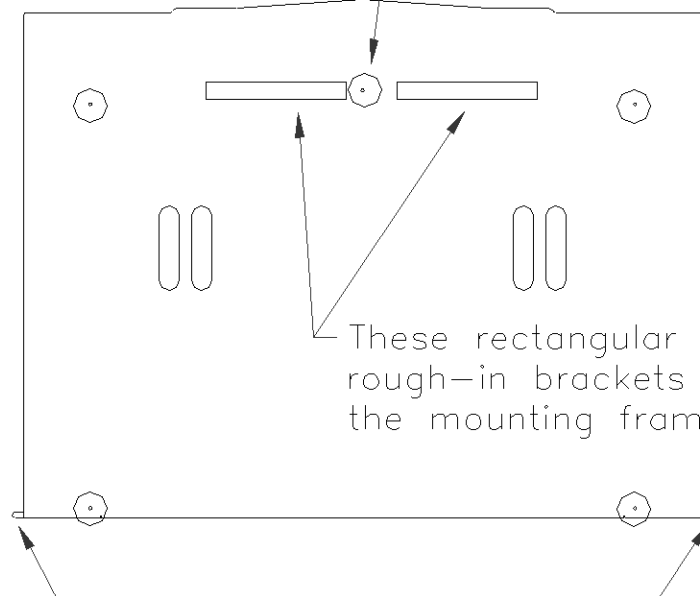
ACCENTRA INSERT ZC BOX
MASONRY TEMPLATE



The outside perimeter of the masonry template is 1/8" larger than the insert surround. Therefore mortar must be forced in behind the template edge approximately 1/2" for good coverage.

(5) CIRCLES

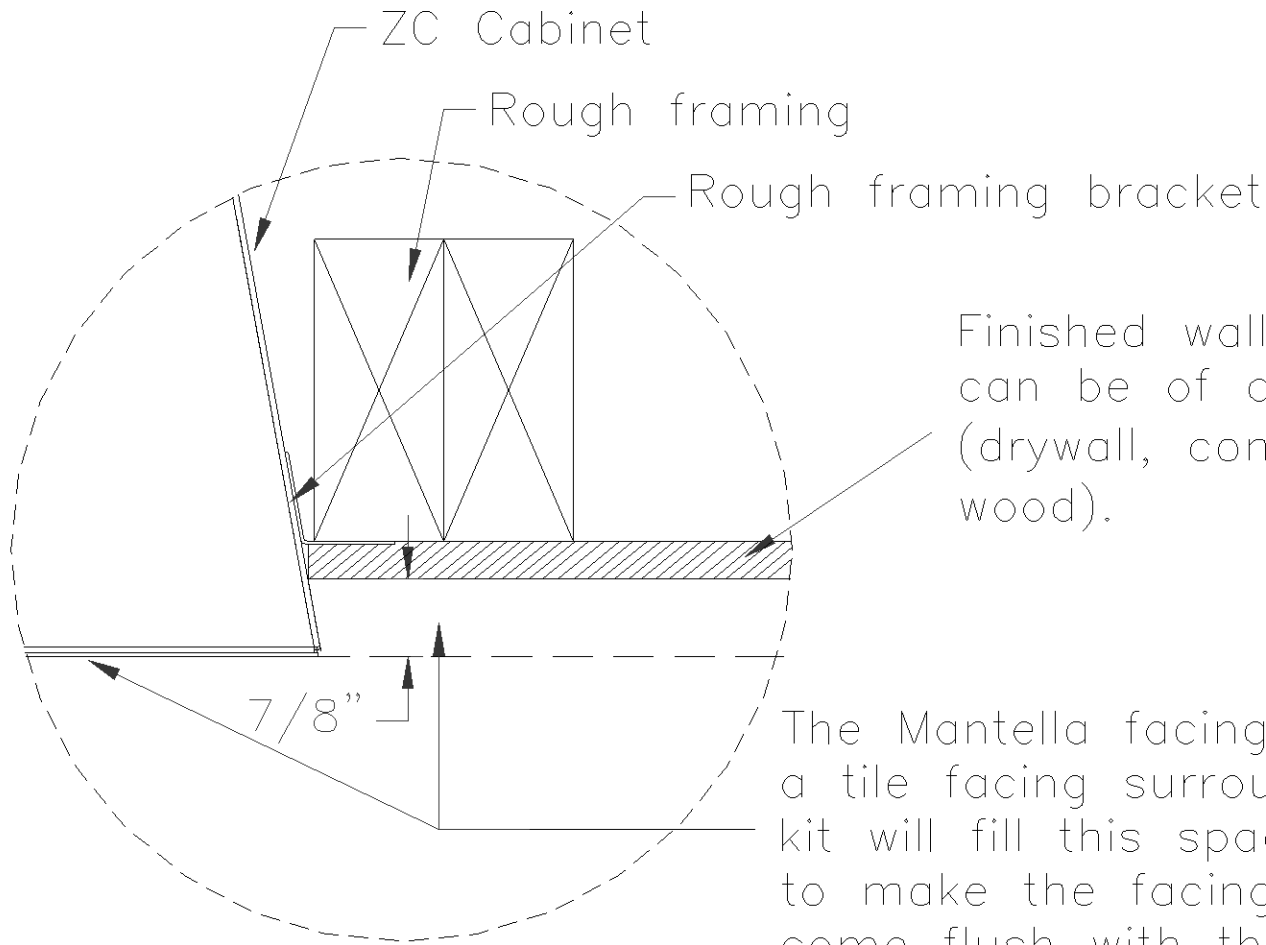
There are 5 mounting holes that match holes in the cabinet face. Use 5 # 10x3/4 Teck screws.



These rectangular slots allow the rough-in brackets to remain until the mounting frame is installed.

There are two tab extensions to allow for the cord to exit the surround. Break off the tab that is not necessary before facing is applied.

ACCENTRA INSERT ZC BOX
Rough-in for a M1 Mantel

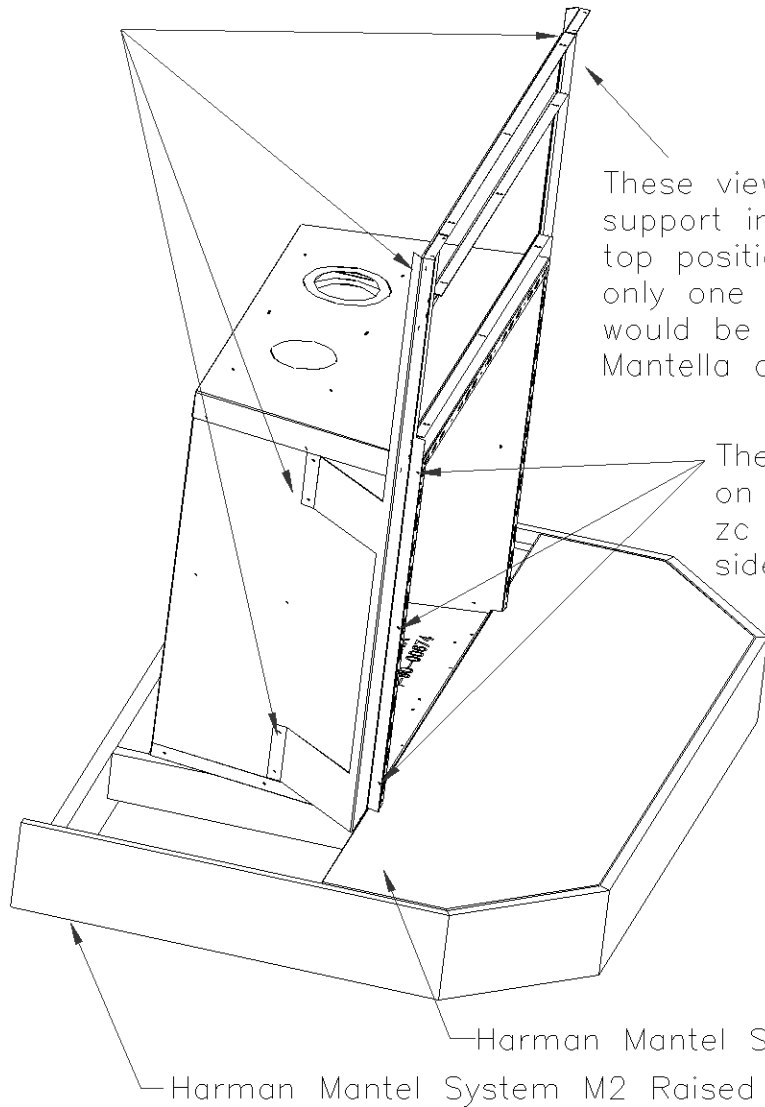


Finished wall facing material which can be of combustible materials (drywall, composite paneling, solid wood).

The Mantella facing or a tile facing surround kit will fill this space to make the facing come flush with the zc cabinet front face.

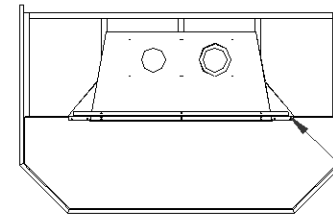
All of the mounting holes for this kit are precut on the ZC box and the support side brackets.

ACCENTRA INSERT ZC BOX
Mantella / Tile support
Kit # 1-00-674077

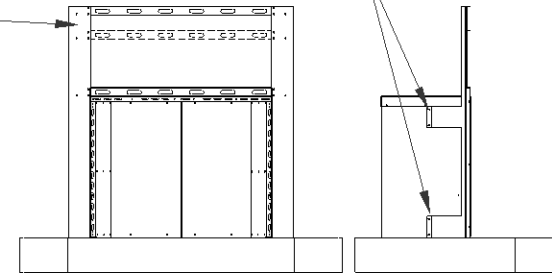


These views show a cross support in both of the top positions, although only one or the other would be used for either Mantella or Tile.

There are three holes on each side of the zc box to mount the side brackets.



The angled braces of the side brackets are slotted to allow for front to back adjustment. After the three side screws are tightened adjust the bracket so the front face is parallel with the front of the ZC box.



The Mantella/Tile support kit is necessary when using a Harman M2 or M3 wall cabinet. The kit consists of four sheet metal parts, a left and right side bracket, and two top cross supports.

The side brackets have two top mounting positions. The topmost one is for Mantella and the set of holes directly below them is for Tile.

—Harman Mantel System Mantella or Tile Hearth

—Harman Mantel System M2 Raised Hearth



ACCENTRA INSERT ZC BOX
Installation instructions for
Mantella or Tile surrounds.

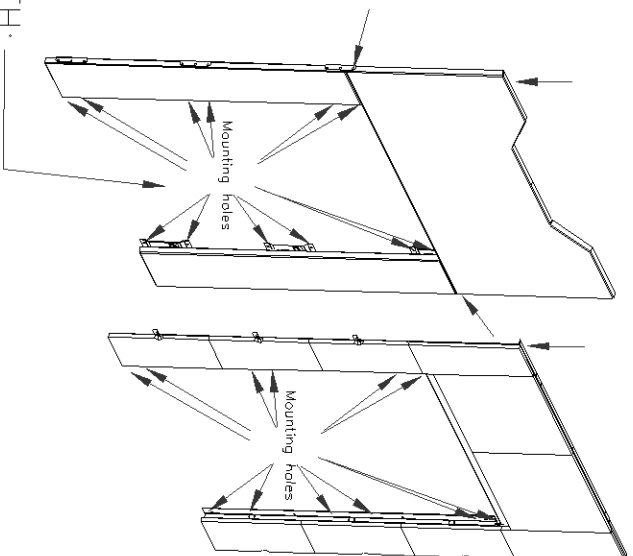
FOURTH:

The venting should be completed through the wall and into the zc box.

NOTE: A venting rough-in support will make this job easier.

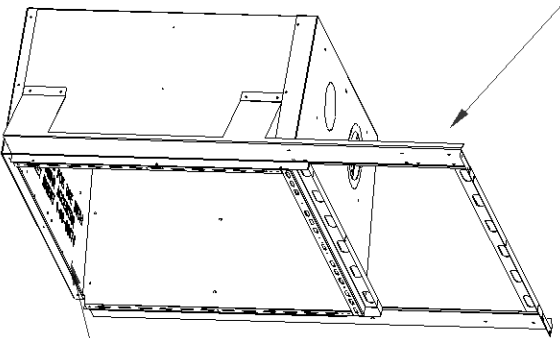
FIFTH:

Install the surround support to the zc box as per the instructions on page 10 of the zc box manual.



SIXTH:

Install the Mantella or Tile surround by sliding either side assembly inward against the zc box, then screwing into the brocket with #8 teck screws. Repeat with the opposite side then the top assembly. Make sure that joint between the sides and the top is tight together. There are screw holes at these joints to pull the joint together using # 8 teck screws.



THIRD:

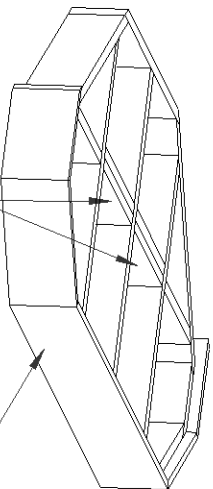
Place the zc box centered on the Raised Hearth frame with the front of the zc box touching the rear of the Mantella or Tile Hearth. See page 6 in the zc box manual for the screw locations for securing the zc box to the Raised Hearth frame.

SECOND:

Secure the Mantella or Tile Hearth to the Raised Hearth frame. This can be done with glue on the support frame or by small finishing nails through the front and sides of the finished faces. These nails should extend into the plywood backer of the Mantella or Tile Hearth.

FIRST:

Start with a Harman M2 or M3 Raised Hearth Level the Hearth and square it with the wall. Then secure the Hearth to the floor, and to the wall if necessary.



NOTE: The center of the hearth must be shimmed to support the weight of the completed unit. This is very important because the weight supported by the center of the base is about 500 pounds.