

Technical Data Sheet

Installation of the Variable Speed Blower on the Santa Fe & Champlain Model Gas Stoves

Kit Number 97-57600

IMPORTANT NOTE: This kit can be used on all Santa Fe Direct-Vent Stoves and any Champlain Direct-Vent stoves with the serial number 2045 and above. This blower *cannot be used* on the Vent Free version of the Santa Fe or the Champlain Direct-Vent model with serial numbers below 2045.

Date: 5/27/2003

Page: 1 of 2

KIT CONTENTS:

Fully Assembly Blower Unit
Control Knob
8-32 x 3/8" Black Oxide Bolt

TOOLS REQUIRED:

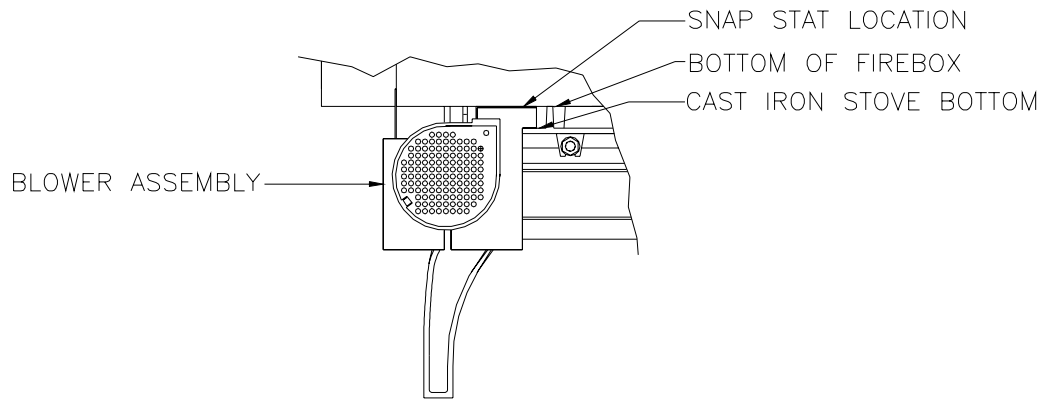
Phillips Screwdriver

ELECTRICAL GROUNDING INSTRUCTIONS:

This blower is equipped with a three-pronged (grounding) plug for your protection against shock hazard and should only be plugged into a properly grounded three-prong receptacle. Do not cut or remove the grounding prong from the plug.

PROCEDURE:

1. Place the blower behind the stove. Push the rheostat box under the stove toward the front of the unit. Locate the 3 Phillips screws on the back bottom of the stove and remove the center screw. Slide the blower unit into position so that the temperature sensing snap switch is sandwiched between the cast iron base and steel bottom (as illustrated below). Maneuver the blower so that the mounting tabs is aligned with the screw hole and secure the unit by replacing the screw.



2. Access the controls to the stove by pulling the ash lip/valve access door down into the open position. Locate the bracket that holds the piezo ignitor. Pull the rheostat box forward and attach it to the piezo bracket by sliding the tab on the box into the piezo bracket. Align the holes in the 2 pieces and secure them with the 8-32 screw provided. NOTE: removing the nut on the back of the piezo ignitor so the piezo can be pulled out of the way can increase access to the screw hole.

BLOWER OPERATION: The blower will not run until the stove heats up and activates the snap switch. Turn the control knob clockwise to turn the blower on. The blower will be on high when the switch is turned on. To lower the blower speed, continue to turn the switch clockwise.