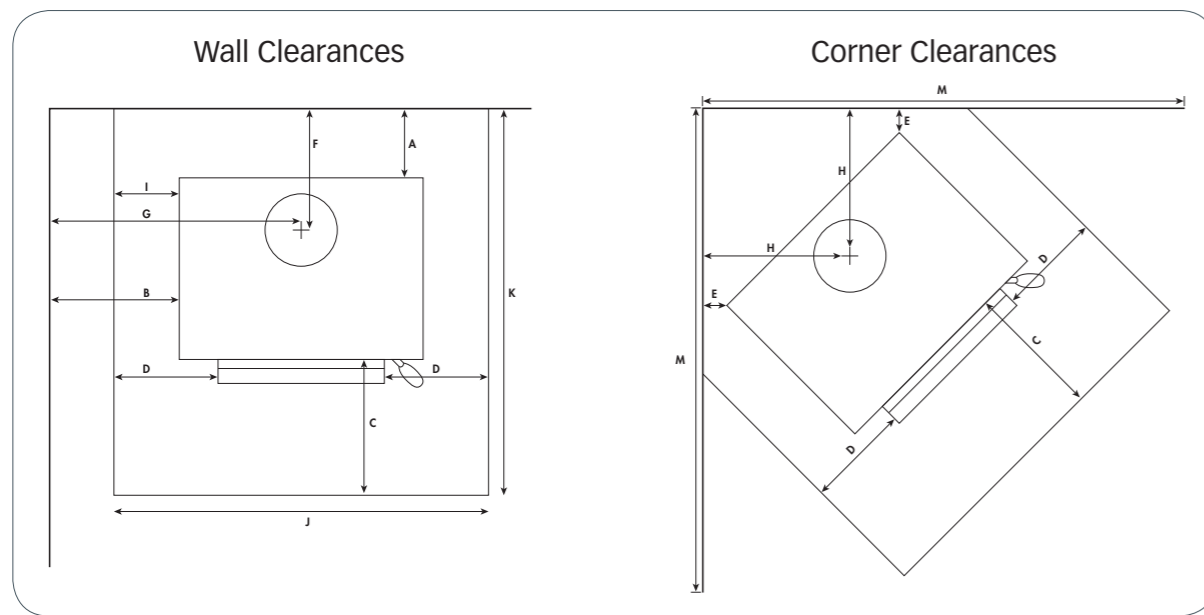


MINIMUM INSTALLATION CLEARANCES



Model	Model No.	Minimum Installation Clearances (with flue shield) mm								Hearth Clearances (mm)				
		A	B	C	D	E	F	G	H	I	J	K	L	M
Kiwi Rad II	KWF295-5910	100	285	300	200	100	262	580	400	100	785	875	1210	1030
Tui Rad	KWF295-6931	100	400	300	200	200	251	690	512	125	880	807	1280	1110
Firenze	KWF295-5908	100	225	300	200	50	235	525	365	90	880	890	1171	1000
Astron	KWF295-5987	100	225	300	200	50	235	525	365	105	880	890	1171	1000
Geneva	KWF295-5909	100	225	300	200	50	235	525	365	90	880	890	1171	1000
Signature	KWF295-6824	100	250	300	200	50	245	600	400	85	1000	905	1225	1080
Tilefire Max C/A II	KWF295-6936	100	270	300	200	150	275	547	350	125	890	1020	1350	1000
Quantum	KWF295-5990	100	300	300	200	126	210	642	455	126	841	985	1230	1190
Barker II	KWF295-6934	255	435	300	200	190	404	743	481	120	850	1084	1375	1189
Tilefire (non clean-air)	KWF296-6068	75	300	300	200	150	165	565	350	120	890	1120	1350	1000

Rata	KWF295-6938	TBA	TBA	TBA	TBA	TBA	TBA	TBA	TBA	TBA	TBA	TBA	TBA	TBA
Logfire Supreme	KWF295-6933	Inbuilt	Inbuilt	300	200	Inbuilt	Inbuilt	Inbuilt	Inbuilt	Inbuilt	Inbuilt	Inbuilt	Inbuilt	Inbuilt
Logfire Max	KWF295-5992	Inbuilt	Inbuilt	300	200	Inbuilt	Inbuilt	Inbuilt	Inbuilt	Inbuilt	Inbuilt	Inbuilt	Inbuilt	Inbuilt
Logfire Inbuilt (non clean-air)	KWF296-6915	Inbuilt	Inbuilt	300	200	Inbuilt	Inbuilt	Inbuilt	Inbuilt	Inbuilt	Inbuilt	Inbuilt	Inbuilt	Inbuilt

FIRE DIMENSIONS AND PERFORMANCE

Model	Model No.	External fire dimensions (mm)			Internal fire dimensions (mm)			Firebox	Performance			
		Width	Depth	Height	Width	Depth	Height		Est Max. Heat Output	Maximum heat area	Average emissions	Average efficiency
Kiwi Rad II	KWF295-5910	585	475	645	430	290	270	33L	14kW	150m ²	0.80g/kg	69%
Tui Rad	KWF295-6931	580	450	620	510	250	260	32L	16kW	200m ²	0.70g/kg (0.66 WB)	71% (65% WB)
Firenze	KWF295-5908	600	490	660	410	250	265	33L	14kW	150m ²	0.70g/kg	71.30%
Astron	KWF295-5987 KWF295-5991	600	490	770	420	280	270	33L	14kW	150m ²	0.70g/kg	71.30%
Geneva	KWF295-5909	600	490	715	425	290	280	33L	14kW	150m ²	1.09g/kg	65.04%
Signature	KWF295-6824	700	505	715	540	270	260	37L	17kW	210m ²	0.85g/kg	71.34%
Tilefire Max CA/II	KWF295-6936	554	730	665	380	380	250	39L	15kW	180m ²	0.53g/kg 38.43mg/MJ	69%
Quantum	KWF295-5990	685	635	730	470	410	280	52L	20kW	260m ²	0.54g/kg	68.70%
Barker II	KWF295-6934 KWF295-6935	615	634	730	455	370	330	55L	20kW	260m ²	0.54g/kg (0.53 WB)	71% (65% WB)
Tilefire (non clean-air)	KWF296-6068	530	725	665	380	460	290	53L	20kW	260m ²	non clean-air	non clean-air

Rata	KWF295-6938	950	597	645	560	522	665	39L	13.5kW	170m ²	0.51g/kg	69%
Logfire Supreme	KWF295-6933	840	635	650	450	260	250	33L	13kW	160m ²	0.88g/kg	67%
Logfire Max	KWF295-5992	860	615	650	430	370	270	39L	12kW	170m ²	1.20g/kg	65.60%
Logfire Inbuilt (non clean-air)	KWF296-6915	860	565	650	410	470	230	37L	14kW	170m ²	non clean-air	non clean-air

KENT
wood fires & heating

www.KENT.co.nz

