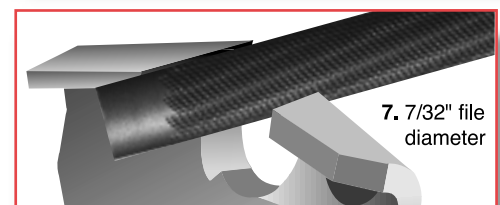
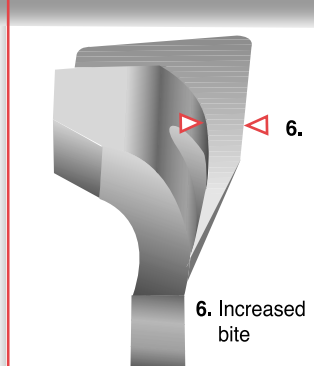
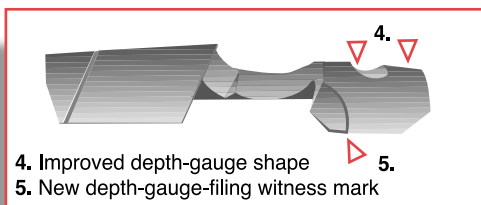
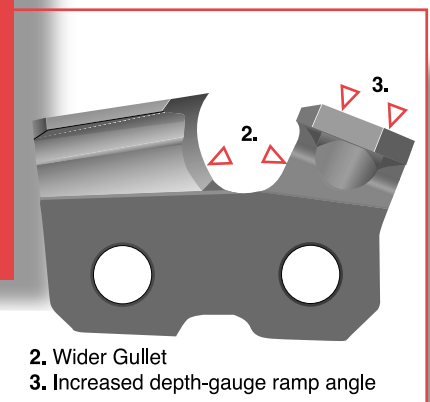
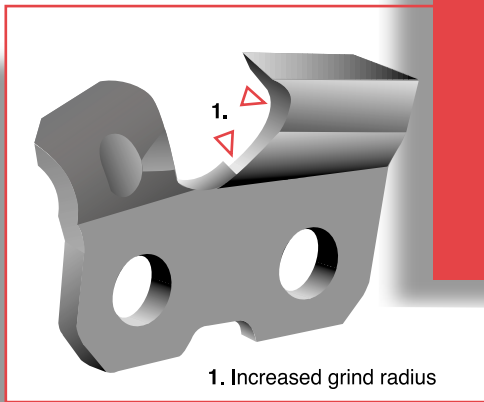


# OREGON<sup>®</sup> LEADS IN SPEED IN PERFORMANCE, IN SAFETY, IN SMOOTHNESS, AND IN EASY MAINTENANCE, ALL IN ONE NEW CHAIN

## VANGUARD 72V



Vanguard 72V, 73V and 75V are the fastest, smoothest, low-kickback cutting chains we've ever made. No other chains this safe cut this fast. We've made the improvements shown above, which make our new Vanguard the ideal chain for arborists, commercial cutters, farmers, and loggers who want an exceptional degree of safety in a high-performance chain.



*Because every cut counts*

# 72V SERIES: THE FASTEST-WORKING, SMOOTHEST-CUTTING LOW-KICKBACK CHAIN WE'VE EVER MADE

Vanguard 72V, 73V, and 75V are simply the best 3/8"-pitch cutting chains we've ever made for arborists, commercial cutters, farmers, and loggers who want exceptional safety in a high-performance chain. 72V, 73V, and 75V are certified by Underwriters Laboratories to be ANSI-complying low-kickback chains. To produce such finely tuned products, we've made seven key improvements to our new 72V series *in addition* to those basic features which have made Vanguard chain a revolutionary product in modern chainsaw history.

## THE SEVEN KEY IMPROVEMENTS OREGON® HAS MADE TO NEW VANGUARD 72V, 73V, AND 75V:

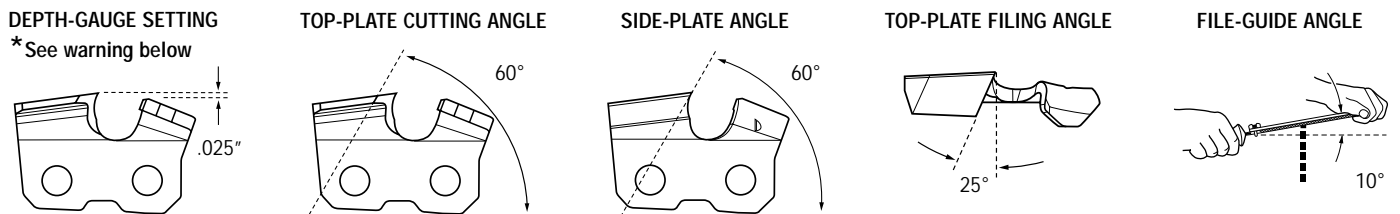
These seven improvements are pictured on the front of this sheet.

IMPROVEMENTS	BENEFITS
# 1 Increased grind radius	• Allows 72V to be sharpened with a 7/32" file, same as 72LG/LP and 72SG (7/32" is the file size preferred by users of professional-type 3/8"-pitch chains)
# 2 Wider gullet	• Increased chip flow
# 3 Increased depth-gauge ramp angle	• Increased smoothness, eases entry of the cutter into the wood
# 4 New streamlined, depth-gauge shape	• Improves cutting performance throughout the life of the chain
# 5 New depth-gauge-filing witness mark	• Makes correct depth-gauge setting easier
# 6 Reduced depth-gauge offset	• Helps users maintain maximum cutting performance throughout the chain's life
# 7 Sharpens with a 7/32" round file	• More side-plate "bite" improves cutting performance, especially during bias cuts
	• Easy maintenance, same as with 72LG/LP and 72SG

## THE BASIC FEATURES AND BENEFITS OF REVOLUTIONARY VANGUARD CHAIN:

FEATURES	BENEFITS
• Heavy-duty full-chisel cutters	• Cuts fast (72V's performance equals that of 72LG/LP)
• Wide-track depth gauges	• Excellent stay-sharp
• Certified by Underwriters Laboratories as a low-kickback chain	• Makes it possible to have full-chisel cutting speed <u>and</u> low-kick safety in one chain
• Low-vibration Vibe-Ban™ design	• Enables Vanguard to meet the ANSI and CSA standards for low-kickback chain
• LubriLink™ tie straps	• Gives dealers and customers the assurance that Vanguard offers users a maximum margin of safety
	• Dampens vibration by up to 30% and reduces the risk of vibration-related injury
	• Maximum user comfort while cutting
	• Ensures full-time oil saturation of the bar and chain

## SHARPENING INSTRUCTIONS 7/32" file (2-pk P/N: 40458, 12-pk P/N: 70502), File-guide P/N: 31686, .025" Depth-gauge tool P/N: 31941



**WARNING** Failure to follow filing instructions can increase the level of kickback which can result in severe injury to the saw operator or bystanders.  
\* Do not exceed depth-gauge settings shown above.

**WARNING** Oregon® Vanguard 72V meets the reduced-kickback requirements of ANSI B175.1-1991 when tested on a representative sample of chainsaws. This chain significantly reduces the risk of chainsaw kickback while maintaining high cutting performance. **ALL CUTTING CHAIN CAN KICK BACK, WHICH MAY RESULT IN SEVERE INJURY TO THE SAW OPERATOR OR BYSTANDERS.** Operate your saw safely. Read and follow all warnings in your saw operator's manual and 72V chain-maintenance instructions.



**OREGON CUTTING SYSTEMS DIVISION, OUTDOOR PRODUCTS GROUP, BLOUNT, INC.**  
PO Box 22127 · Portland, OR, U.S.A. 97269-2127 · Phone: 503-653-8881 · Fax: 503-653-4201 · Website: www.oregonchain.com  
**OREGON CUTTING SYSTEMS DIVISION, OUTDOOR PRODUCTS GROUP, BLOUNT CANADA, LTD.**  
505 Edinburgh Rd. N. · Guelph, Ontario, Canada N1H 6L4 · Phone: 519-822-6870 · Fax: 519-822-4999