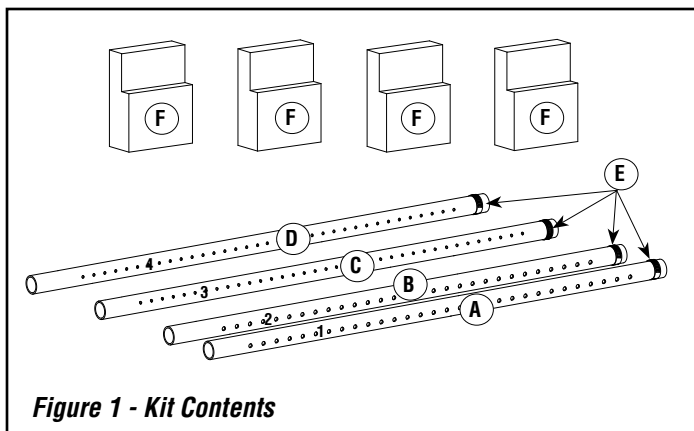


INSTALLATION INSTRUCTIONS FOR INSTALLING REPLACEMENT SECONDARY AIR TUBES ON MODELS ST310 AND C310 WOOD BURNING STOVES AND FIREPLACE INSERTS

KIT CONTENTS (See *Figure 1*)

- 1 ea. Secondary Air Tube #1 (item A)
- 1 ea. Secondary Air Tube #2 (item B)
- 1 ea. Secondary Air Tube #3 (item C)
- 1 ea. Secondary Air Tube #4 (item D)
- 4 ea. Hose Clamps (item E)
- 4 ea. Firebrick, Notched 4-1/2" x 6-1/2" (item F)
- 1 ea. Instruction Sheet

Secondary Air Tube Replacement Kits (complete)	
Cat. #	Description
H5566	Canyon™ ST310 and C310,



TOOLS / SUPPLIES NEEDED

- Small Flat Screwdriver
- Gloves

GENERAL INFORMATION

This instruction sheet explains how to replace the secondary air tubes in Canyon™ 310 wood burning stoves and fireplace inserts. No cutting or welding is required to install this kit.

If you encounter any problems, need clarification of these instructions or are not qualified to properly install this kit, contact your local distributor or dealer. Read this instruction sheet in its entirety before beginning the installation.

ALL WARNINGS AND PRECAUTIONS IN THE INSTALLATION AND OPERATION MANUAL PROVIDED WITH THE APPLIANCE APPLY TO THESE INSTRUCTIONS.

ALLOW THE APPLIANCE TO COMPLETELY COOL BEFORE PROCEEDING.

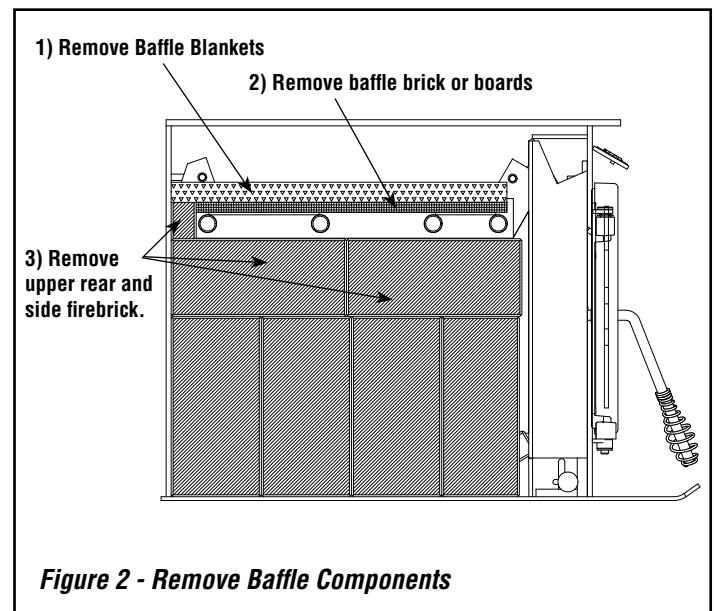
REMOVE ALL BAFFLE BRICKS OR BOARDS AND BAFFLE BLANKETS AND CLEAN OUT ALL OF THE ASHES BEFORE STARTING. WEAR GLOVES TO PROTECT YOURSELF FROM POSSIBLE SHARP EDGES INSIDE THE FIREBOX.

INSTALLATION INSTRUCTIONS

Baffle Brick or Boards and Baffle Blanket Removal:

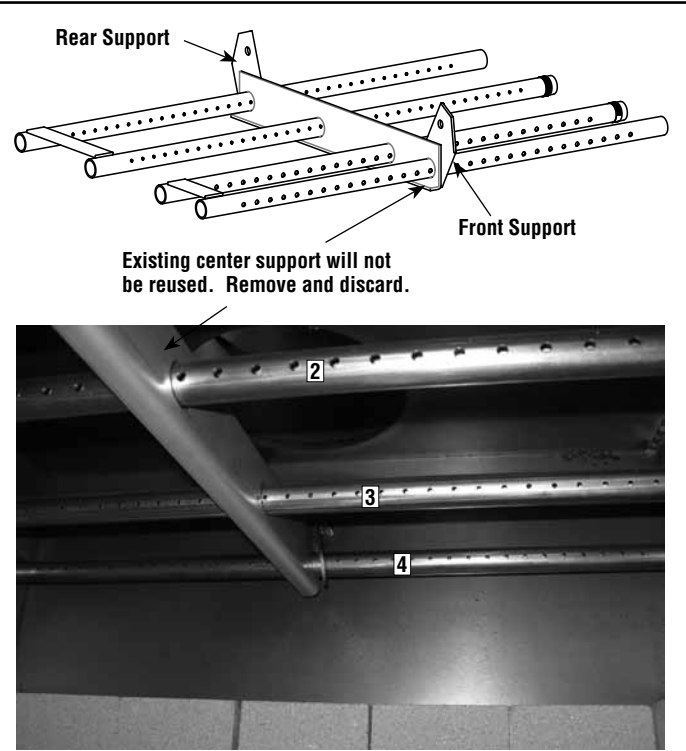
Step 1. Remove the baffle blankets, baffle bricks or boards and upper rear and side firebrick. See *Figure 2*.

CAUTION: Wear gloves during brick removal in case of sharp edges inside the stove.



TUBE REMOVAL:

- Step 2.** Using a small flat blade screwdriver, loosen the (4) four hose clamps located on the right side of the firebox. Once hose clamps are loose they can be moved on the secondary tubes approximately 1-1/2" to the left. See *Figures 3 and 4.*
- Step 3.** Unhook the front and the rear supports from the firebox (*see Figure 5*). This is done by moving both pieces to the left on the secondary tubes approximately 1". Remove secondary air tubes and center support and discard. See *Figures 4 and 5.*
- Step 4.** The new tubes are marked #1 through #4. The #1 tube is the front tube. The holes on the tubes point forward. The left end of the tube has a flat bracket that will stop rotation once inside the firebox. The right end has a stainless steel hose clamp that will keep the tube support in place during normal operation. It is important that the tubes are installed in the proper order for clean burning.
- Step 5.** Starting with the #4 tube, insert the right end into the firebox (the end with the hose clamp) and up into the rear right hole. Raise the left end while sliding the tube back and forth. Once the tube is in place, slide the hose clamp to the right. Repeat this procedure with the remaining (3) three tubes with #3 going into the next hole, etc.
- Step 6.** Once all the tubes are installed, rotate them until the flat bracket is at the top (*see Figure 6*). **Note: The firebricks will sit on top of this bracket to keep the tube in place during normal operation.**
- Step 7.** Slide all four hose clamps to the right and tighten (*see Figure 6*).



Note: The replacement secondary air tubes supplied have an integral support built into each tube. This eliminates the need for a center support.

Figure 5

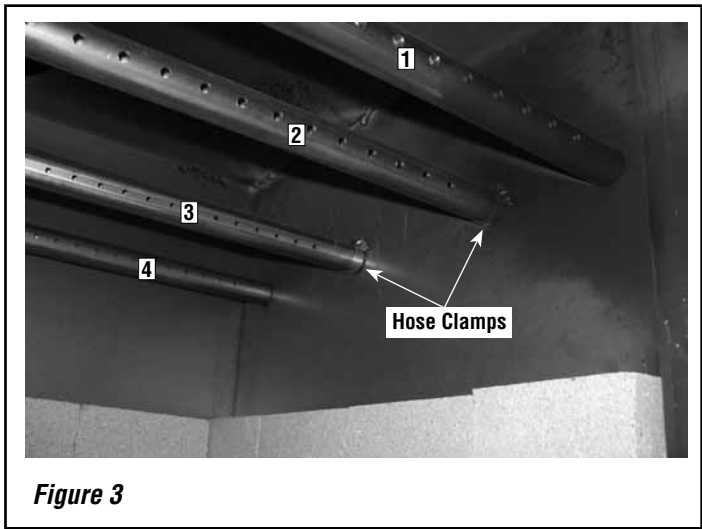


Figure 3

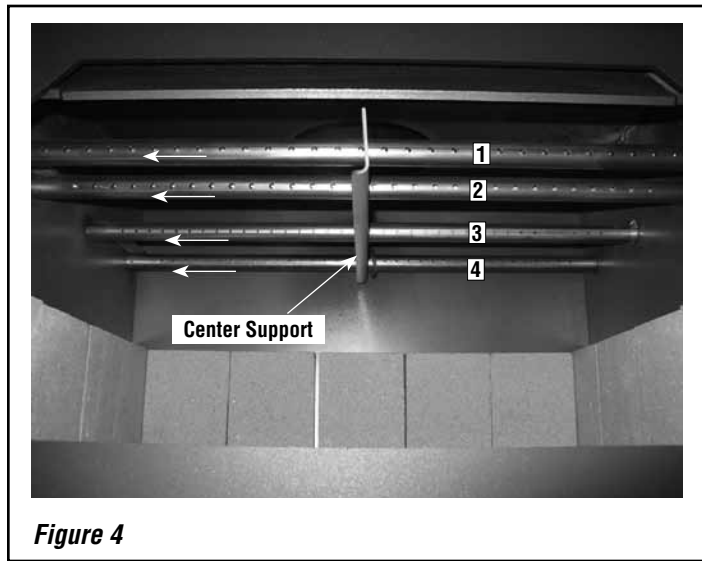


Figure 4

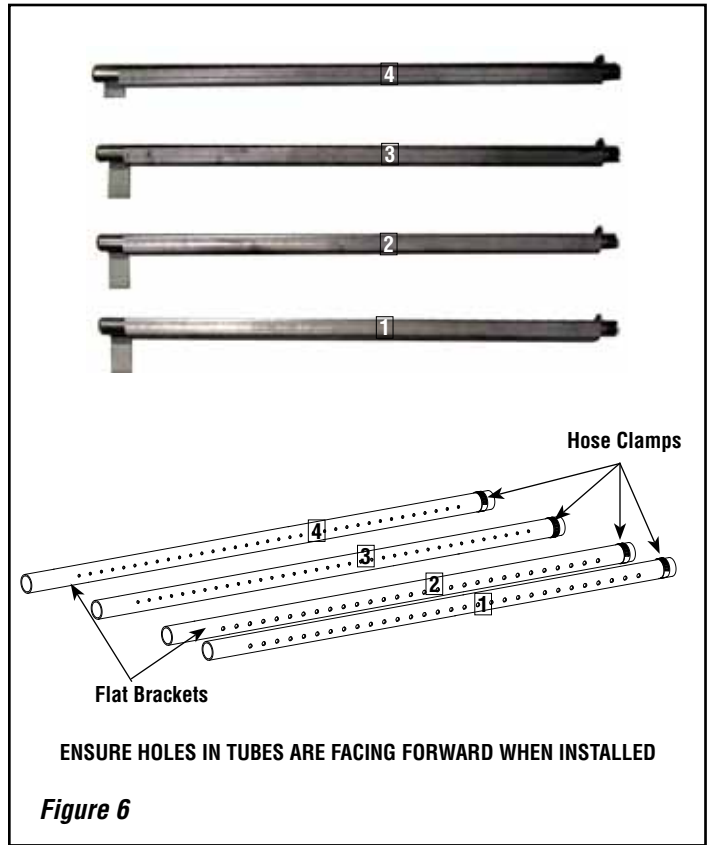
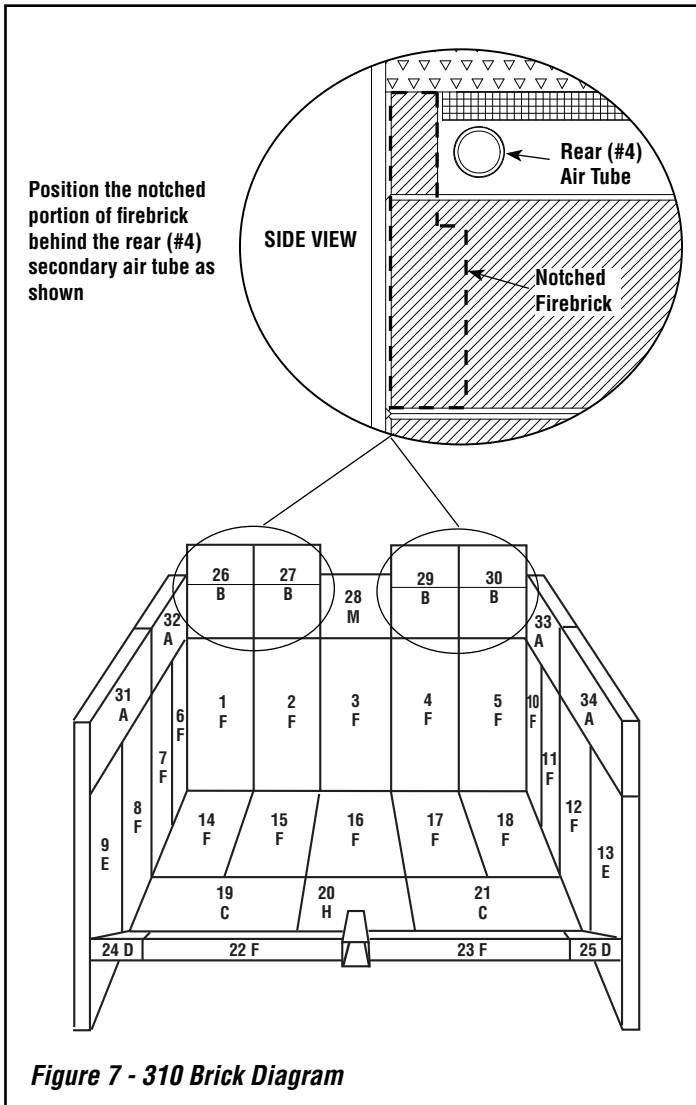


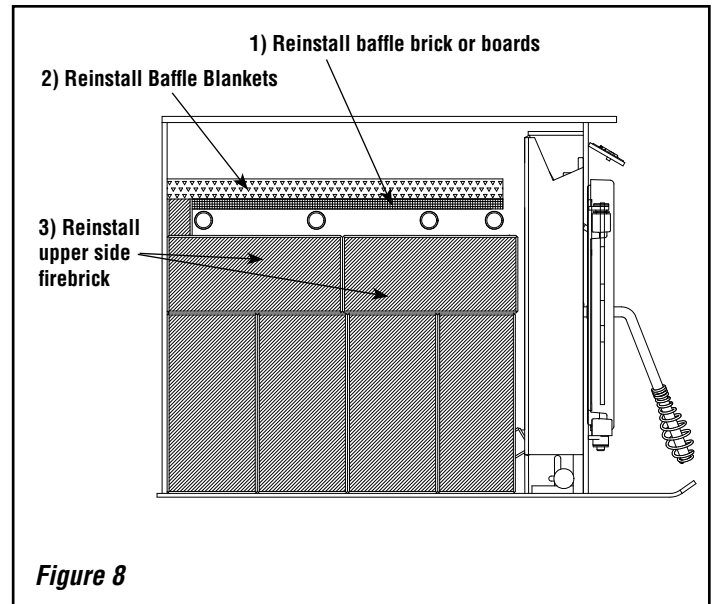
Figure 6

NOTE: DIAGRAMS & ILLUSTRATIONS ARE NOT TO SCALE.

Step 8. Install firebrick 26, 27, 29 and 30 with the notched firebrick provided as shown in **Figure 7**.



Step 9. Reinstall baffle blankets, baffle bricks or boards and upper rear and side firebrick. See **Figure 8**.



IHP reserves the right to make changes at any time, without notice, in design, materials, specifications, prices and the discontinuance of colors, styles and products. Consult your local distributor for fireplace code information.

Printed in U.S.A. © 2010 IHP LLC

4 P/N 506033-47 REV. B, 11/2013



1508 Elm Hill Pike, Suite 108 • Nashville, TN 37210