



CAUTION - BLOWER KIT OPTION  
TOE PLATE MOUNTING SCREWS MUST BE  
REMOVED TO ADD BLOWER KIT OPTION.  
DO NOT COVER WITH HEARTH OR FACING.

INSTALLATION INSTRUCTIONS  
AND PARTS LIST  
MODEL REGAL 3438

**REGAL**  
***Built-in Fireplaces***

**OLIVER-M<sup>AC</sup>LEOD**  
**LIMITED**

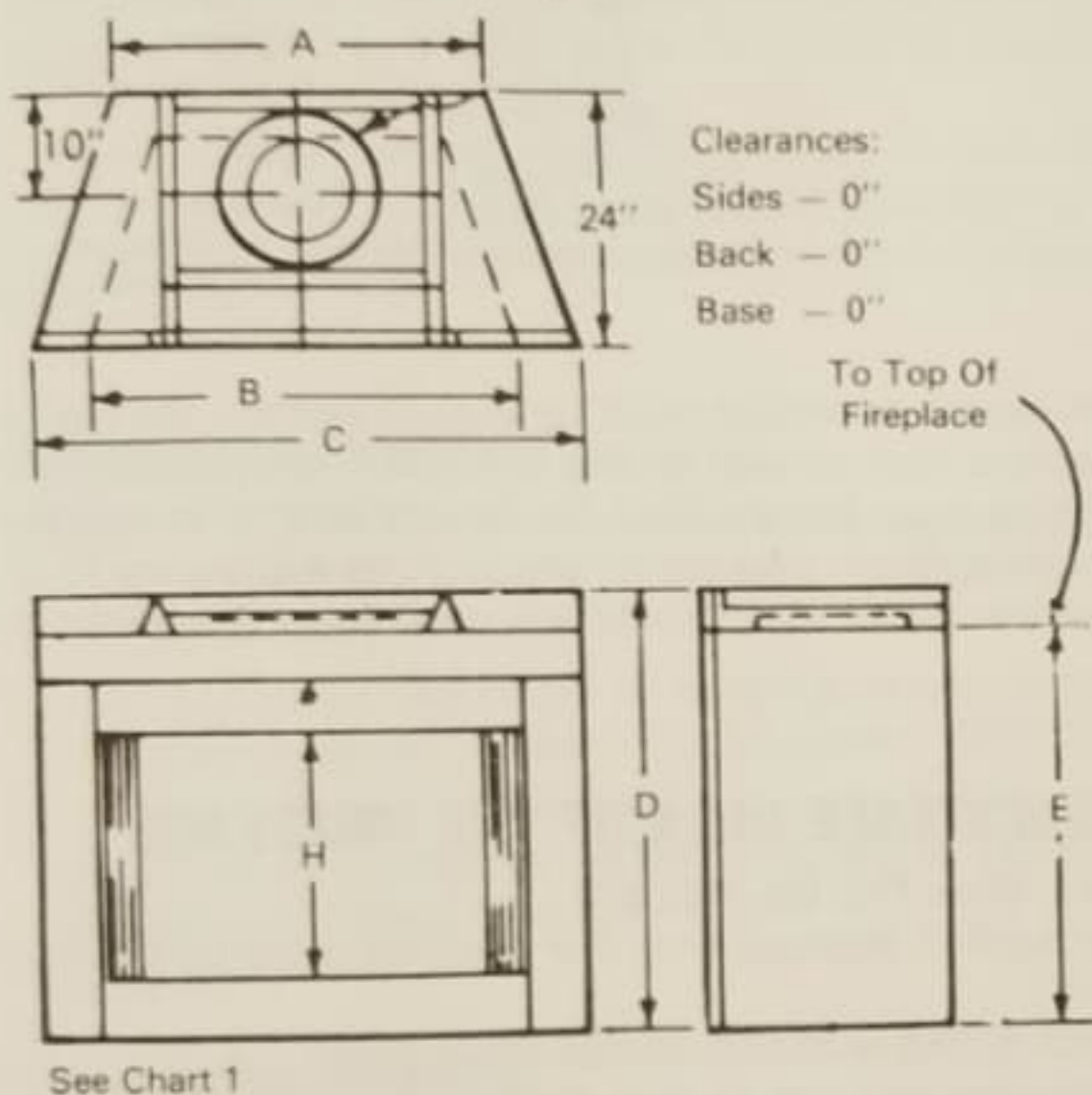
155 Edward Street  
Gravenhurst, Ontario, Canada POC 1G0  
(705) 687-3447 Telex: 0687-5519



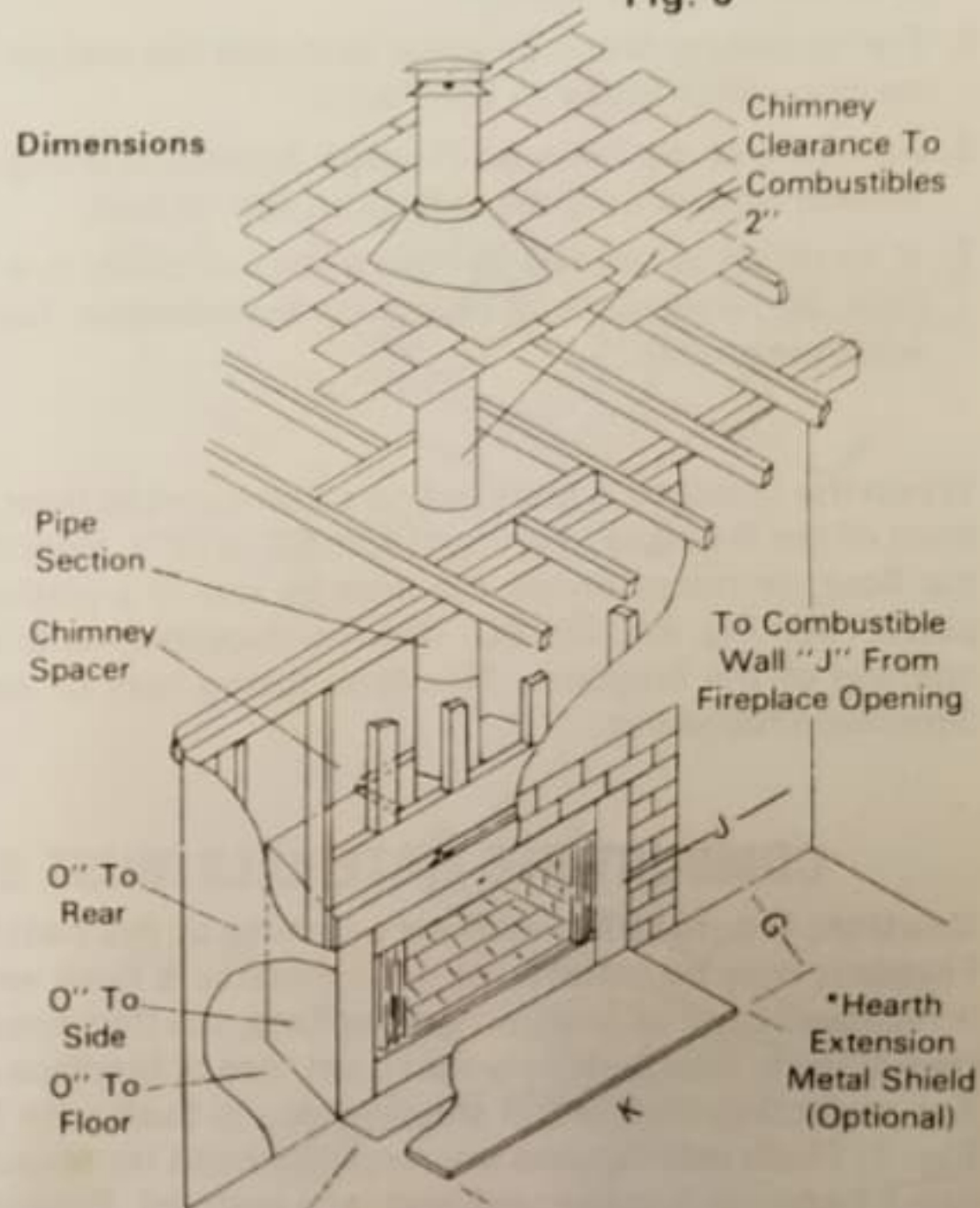
**Note:**

1. Regal Fireplace can be installed in numerous ways. The basic list is for your reference. We recommend that you **consult your local Building Authority BEFORE PROCEEDING** with your installation.
2. Elbows are **available** in 45°, 30° or 15°. (Max. 2 elbows only)
3. Overall height of chimney is measured from the bottom of the fireplace.
4. Maximum chimney height supported by the fireplace is 23 ft. with additional re-support at 20 ft. intervals, chimney can be installed to 60 ft. (Consult with factory if greater height is required.)
5. Before starting actual installation, consult with your local Building authority and Building Code.
6. **Caution:** Operate fireplace either with glass door fully open or fully closed. Bi-fold doors, if left partially open, may draw gas & flame out of the fireplace creating both heat & smoke hazards.

**Fig. 5**



**Fig. 6**



\*Hearth extension should be non-combustible material with at least 3/8 thick. A metal hearth extension could be furnished by the manufacturer upon request.

Place strips of metal provided under fireplace and hearth extension. (6" x 25"). See Chart 1 for hearth extension dimensions.

Chart Number 1	A	B	C	D	E	G	H	J	K
Dimension	22"	34"	38"	40-1/4"	36-1/8"	20"	28-3/8"	24"	50"

**Installation Clearances:**

The Installation clearances for both the fireplace and the chimney system is very important. When installed according to these instructions the basic fireplace may touch combustible materials at the **Bottom, Sides, and Back** of the unit. (It is only to be installed against a finished (surface) wall not against a vapour barrier or exposed insulation.)

Chimney sections above the first joist area require a minimum clearance of 2" to any combustible materials. Chimney sections below first joist area require a minimum clearance of 5" to combustible materials.

Firestop spacer must be installed at every ceiling level which will automatically provide the necessary clearance.

**Do not use any loose fill or any insulation in the space above the fireplace and within the clearance requirements of the chimney.**

**Corner Installation:** This can be the most economical in rooms where space is at a premium. Because of the slanted sides, the fireplace seems to take less floor space than being projected into the room from a flat wall. (See Fig. 1) On the fireplace floor, when the chimney is installed with an elbow inclined to the back adjacent walls, there must be maintained a minimum 6.5' clearance between chimney and two adjacent walls. (See Fig. 1).



**REGAL  
BUILT-IN FIREPLACE  
WITH  
OLIVER-MACLEOD — FACTORY — BUILT INSULATED CHIMNEY**

Model No.  
Regal 3438

Fireplace Size  
34 In.

Flue Size and Model  
7 In. SSG

## INSTALLATION INSTRUCTIONS AND PARTS LIST

**General:** Remove all parts and check to be sure they are there. Report to your dealer if any parts are missing or damaged.

**Local Codes:** Local building Codes should be consulted in **ALL** cases as to the particular requirements concerned with the installation of **Factory Built Fireplaces**.

### IMPORTANT

These instructions must be followed explicitly, failure to do so may result in hazardous conditions. The use of chimney & components not manufactured by Oliver-MacLeod Ltd., will void all warranties & may void the approved label.

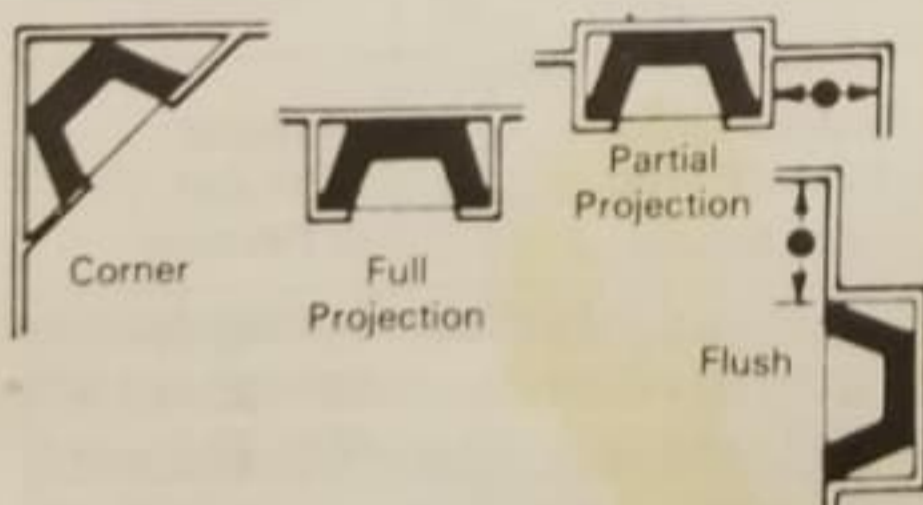
Always provide a source of fresh air into the room where the fireplace is installed. Failure to do so may result in air starvation of other fuel burning appliances and the possible development of hazardous conditions. (Optional fresh-air kit is available).

Fireplace location will be influenced by such factors as: traffic in rooms, doors and windows and construction above and below the fireplace. The fireplace may be installed in any location which will provide the necessary clearance. A location which will require the cutting of the least number of joists or rafters will simplify and reduce installation costs.

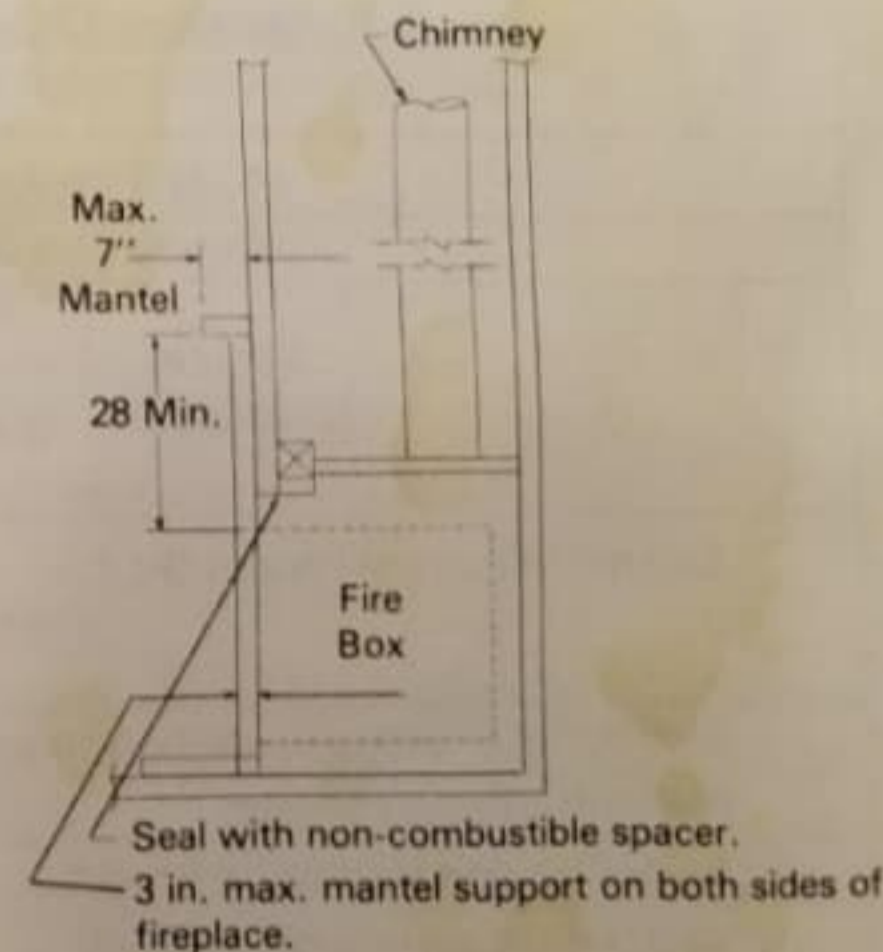
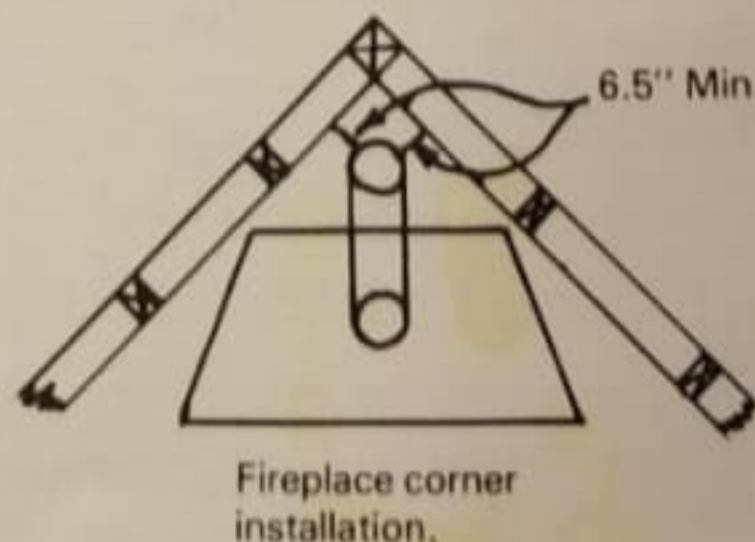
**Any fireplace must not be installed closer than 24" to any unprotected combustible wall perpendicular to the fireplace opening.** (See Fig. 1) This does not apply to corner installations (See Fig. 1). The floor which supports the fireplace does not have to be reinforced unless the material used for facing is very heavy (i.e. Fieldstone or brick in large areas). Clearance will be further reduced by using protecting wall shield as noted. ●

Several fireplace locations are shown below for your reference.

Fig. 1



Recess mounting up to 3 inch on both sides and top. Top has to be terminated not closer than 28 inch above fire box top opening.



● Reduced clearance to 24 in. without heat shield. If heat shields are used further reduced to 12 in.



### Type Of Installation:

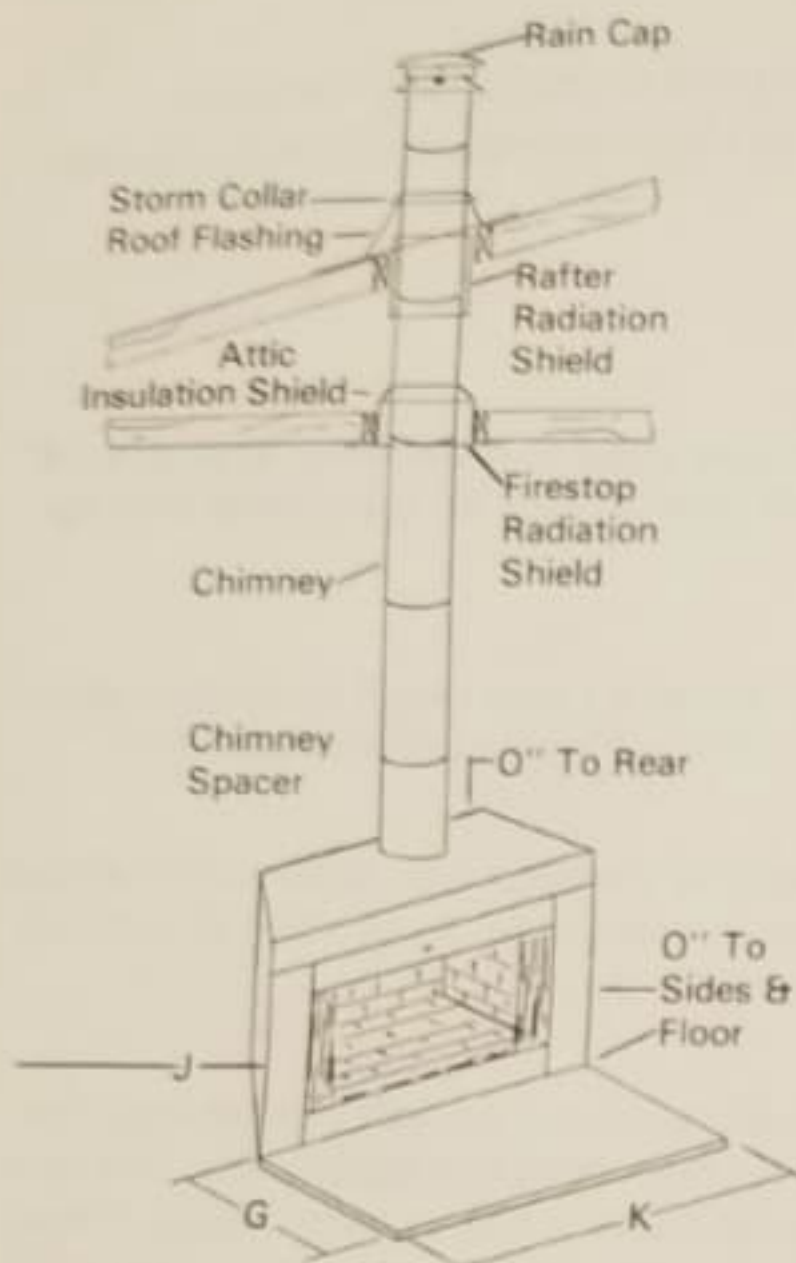
The Regal Fireplace is very versatile and flexible in installations. Some typical samples are illustrated as follows: (Consult local authority before installation)

Type I: Chimney system straight upward. No off-set. Min. height is 16 ft. overall from base of fireplace.

Type II: Chase construction complete with off-set either 45°, 30° or 15°.

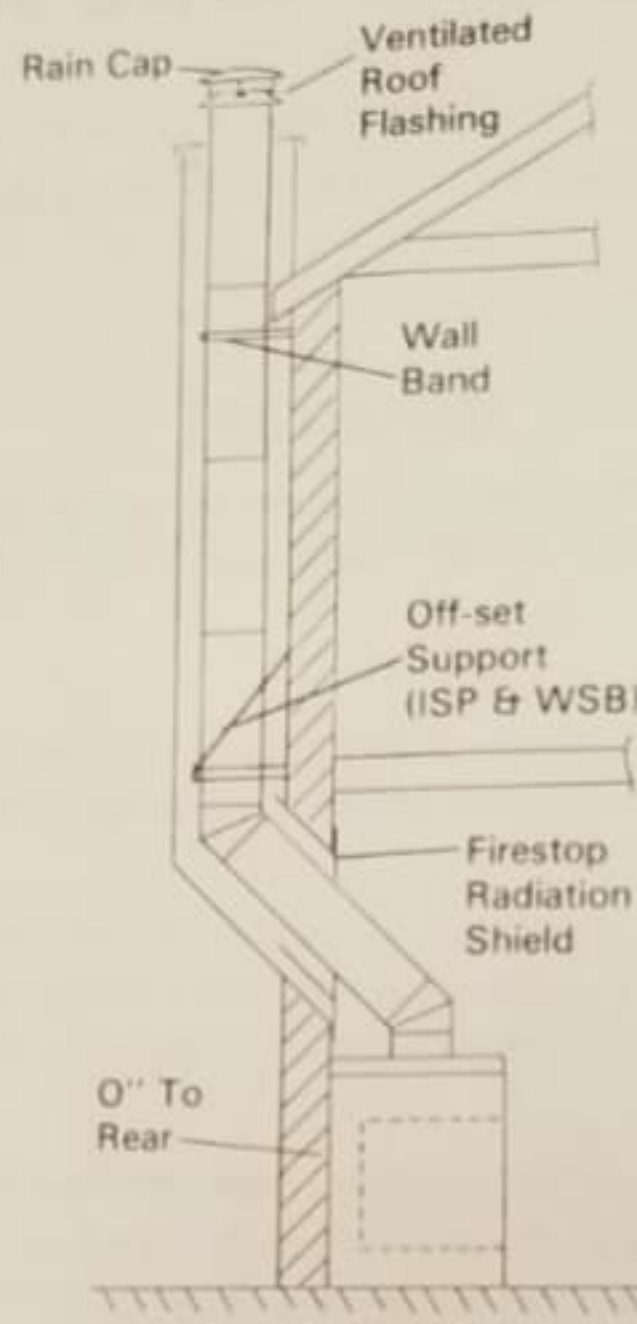
Type III: Inside off-set construction.

Fig. 2



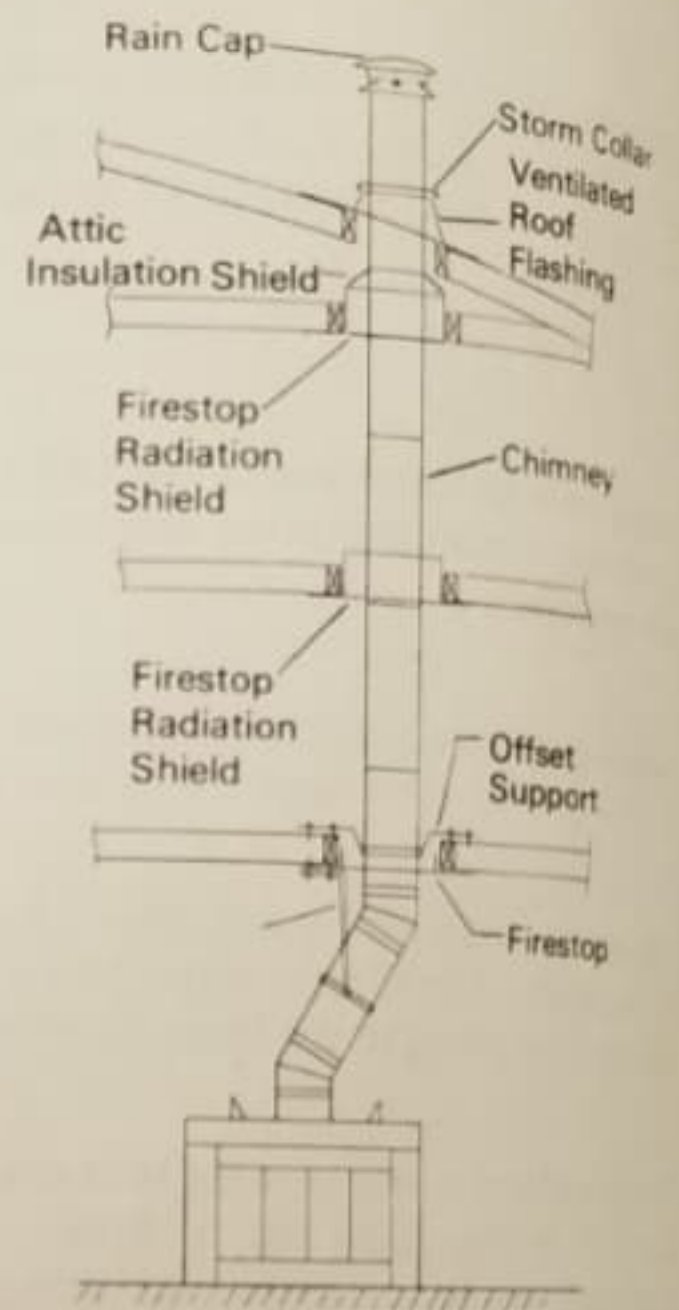
Refer to instructions for more detail.

Fig. 3



Refer to instructions for more detail.

Fig. 4



Refer to instructions for more detail.

### A Reference Chart For Basic Fireplace and Chimney System Components:

Model Fireplace	Regal 3438		
Chimney Flue Size	7 In. SSG		
Typical Installation	Interior Straight Up	Exterior Chase With Off-Set (2 Elbows)	Interior Off-Set (2 Elbows)
Overall Minimum Height (Ft.)	16 Ft.	15° - 18 Ft. 30° - 20 Ft. 45° - 22 Ft.	15° - 18 Ft. 30° - 20 Ft. 45° - 22 Ft.
Back Wall Firestop Radiation Shield	---	Yes	---
Rafter Radiation Shield	Yes	---	---
Floor Firestop Radiation Shield	---	---	Yes
Attic Firestop Radiation Shield	---	---	Yes
Exterior Off-Set Support (ISP-WSB)	Yes	---	---
Firestop Spacer Assembly	---	Yes	Yes
Interior Off-Set Support (Detail See Fig. 4)	---	---	Yes
Vented Roof Flashing With Storm Collar	---	---	Yes
Rain Cap	Yes	Yes	Yes
	Yes	Yes	