

## 2 Getting Started

### A. Design and Installation Considerations

Heat & Glo direct vent gas appliances are designed to operate with all combustion air siphoned from outside of the building and all exhaust gases expelled to the outside. No additional outside air source is required.

Installation **MUST** comply with local, regional, state and national codes and regulations. Consult insurance carrier, local building inspector, fire officials or authorities having jurisdiction over restrictions, installation inspection and permits.

**Before** installing, determine the following:

- Where the appliance is to be installed.
- The vent system configuration to be used.
- Gas supply piping requirements.
- Provisions for optional heat management system.
- Electrical wiring requirements.
- Framing and finishing details.
- Whether optional accessories—devices such as a fan, wall switch, or remote control—are desired.

Installation and service of this appliance should be performed by qualified personnel. Hearth & Home Technologies recommends HHT Factory Trained or NFI certified professionals.



Improper installation, adjustment, alteration, service or maintenance can cause injury or property damage. For assistance or additional information, consult a qualified service technician, service agency or your dealer.

### B. Good Faith Wall Surface

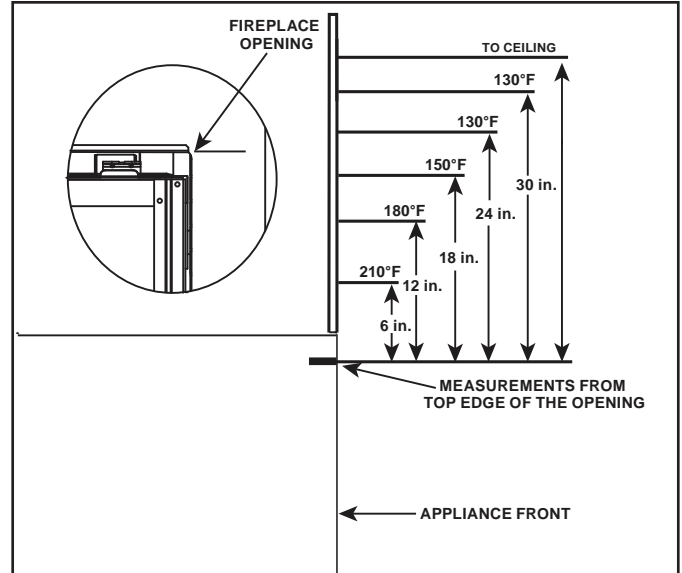


Figure 2.1 Good Faith Wall Surface Temperatures Above Appliance

If installing a television (TV) above the appliance, see Section 3 of the appliance Owner's Manual.

**NOTICE:** Temperatures listed above are taken with a temperature measuring probe as prescribed by the test standard used for appliance certification. Temperatures on walls or mantels taken with an infrared thermometer may yield increased temperatures of up to 30 degrees or more depending on the thermometer settings and material characteristics being measured. Use appropriate finishing materials that are able to withstand these conditions. For additional finishing guidelines, see Section 10.

### C. Tools and Supplies Needed

Before beginning the installation be sure that the following tools and building supplies are available.

- |   |                                   |
|---|-----------------------------------|
| Tape measure  | Framing material                  |
| Pliers  | Hammer                            |
| Phillips screwdriver  | Manometer                         |
| Gloves  | Framing square                    |
| Voltmeter   | Electric drill and bits (1/4 in.) |
| Plumb line  | Safety glasses                    |
| Level   | Reciprocating saw                 |
| Flat blade screwdriver  |                                   |
| Non-corrosive leak check solution                             |                                   |
| 1/2 - 3/4 in. length, #6 or #8 Self-drilling screws           |                                   |
| Caulking material (300 °F minimum continuous exposure rating) |                                   |
| One 1/4 in. female connection (for optional fan).             |                                   |