

WCT4820WS

EPA Wood Burning Fireplaces Specifications

Cat.#	Model	Description
F1793	WCT4820WS	EPA Wood-Burning fireplace

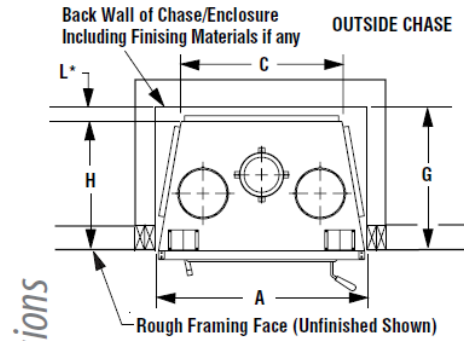
PRODUCT REFERENCE INFORMATION

Weight	385 lbs
Height	36"
Width	36"
Depth	24-1/2"
Firebox W x H x D measured in front	22" x 11-3/4" x 12"
Chimney weight ASHT* (6" dia)	6.25 lb/ft.
Chimney weight AC* (6" dia)	3.25 lb/ft.
Chimney weight S2100+* (6" dia)	10.8 lb/ft.

*Available from Security Chimneys™

FRAMING DIMENSIONS Fireplace Opening Width

A	36-3/8"	924 mm
B	37"	940 mm
C	30-1/8"	765 mm
D	13-1/2"	343 mm
E	77"	1956 mm



Framing Dimensions

Combustible materials can NOT be used in the space directly above the fireplace. Do not fill the space above the fireplace with any material (Except the wood framing)

