



# Lopi Freedom Bay Door Shell (With Ashlip Trim)

Black - 99300175

Brass - 99300176

Nickel 99300179

**TRAVIS INDUSTRIES  
HOUSE OF FIRE**

## Compatibility

- Lopi Freedom Bay ND (SKU 99800313)

## Tools Needed

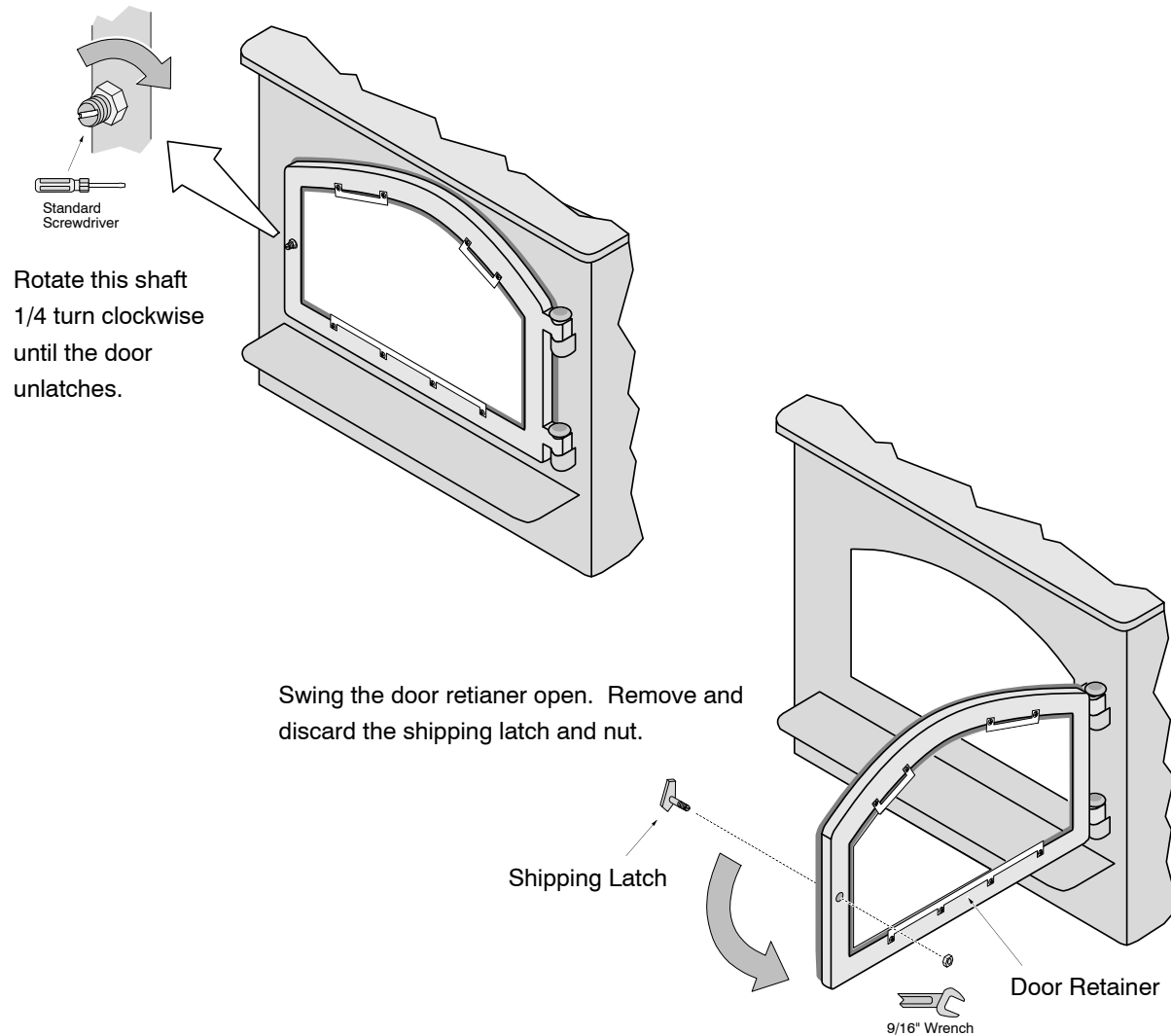
- Standard Screwdriver
- 9/16" Wrench
- 5/16" Nutdriver/Wrench

## Packing List

- Door Shell
- Door Handle (with Nut, Washers, and Cam)
- Ashlip Trim
- Side Frames & (2) Screws
- 1/16" Hex Wrench
- (2) 10-24 x 1" Screws

## Installation Instructions

1. Remove the door retainer shipping latch following the directions below.





# Lopi Freedom Bay Door Shell (With Ashlip Trim)

Black - 99300175

Brass - 99300176

Nickel 99300179

**TRAVIS INDUSTRIES  
HOUSE OF FIRE**

## Door Shell Attachment For New, 2012, Retainers

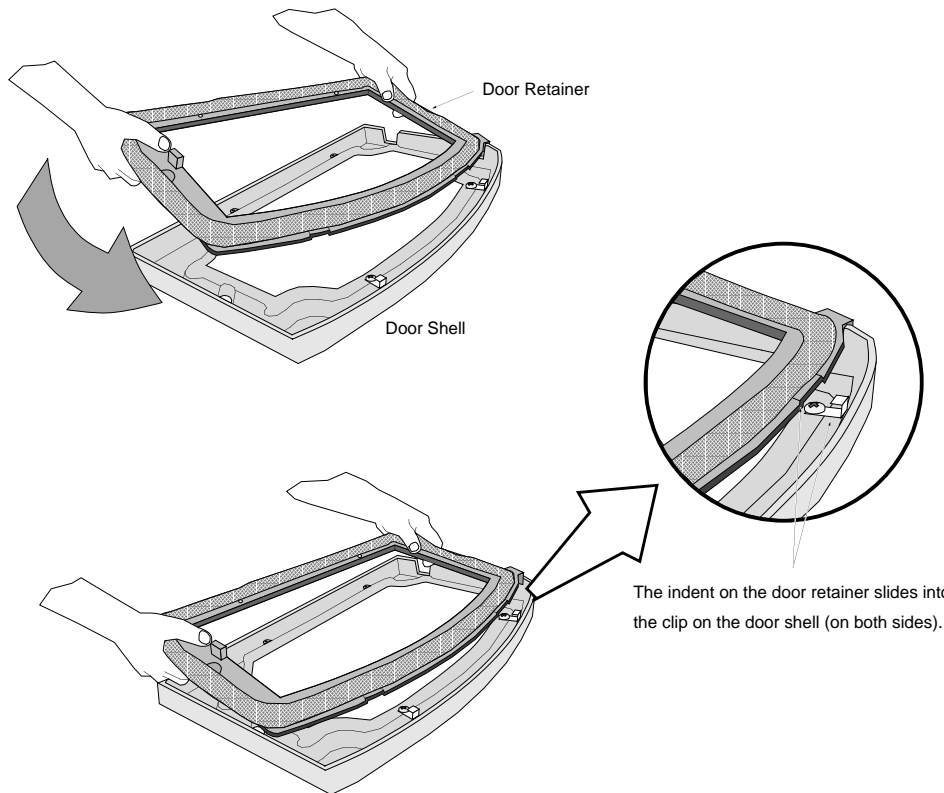
2. Place the door shell face down on a non-scratching surface.

### **Nickel (Cast Iron) Doors Only**

Use a socket-head wrench with 5/16" socket to pre-thread the holes six revolutions. If you pre-thread more revolutions, it may bottom out and break the head off the screw. Remove and retain the screws. See the photos below.



3. Place the door retainer into the door shell as shown below.





# Lopi Freedom Bay Door Shell (With Ashlip Trim)

Black - 99300175

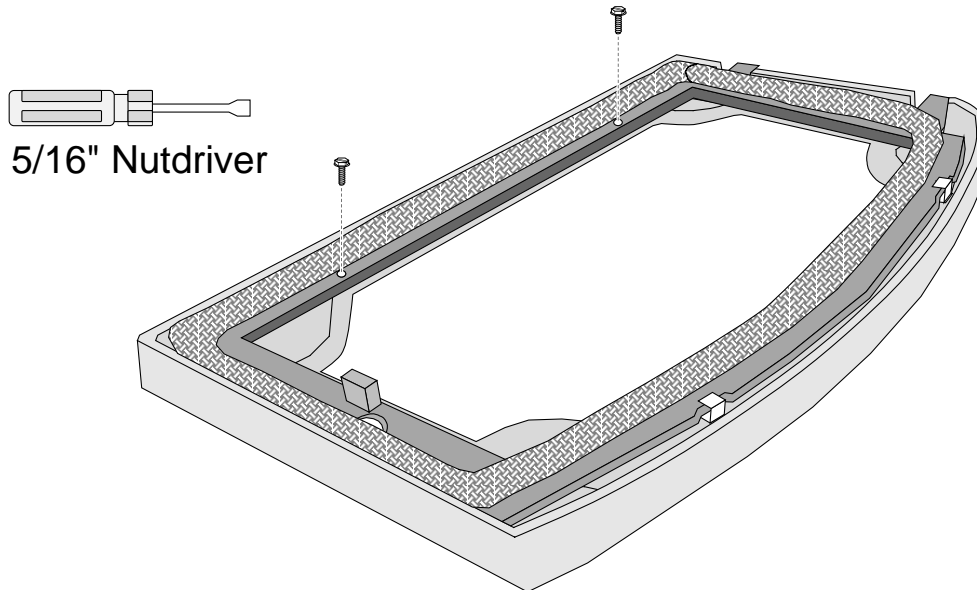
Brass - 99300176

Nickel 99300179

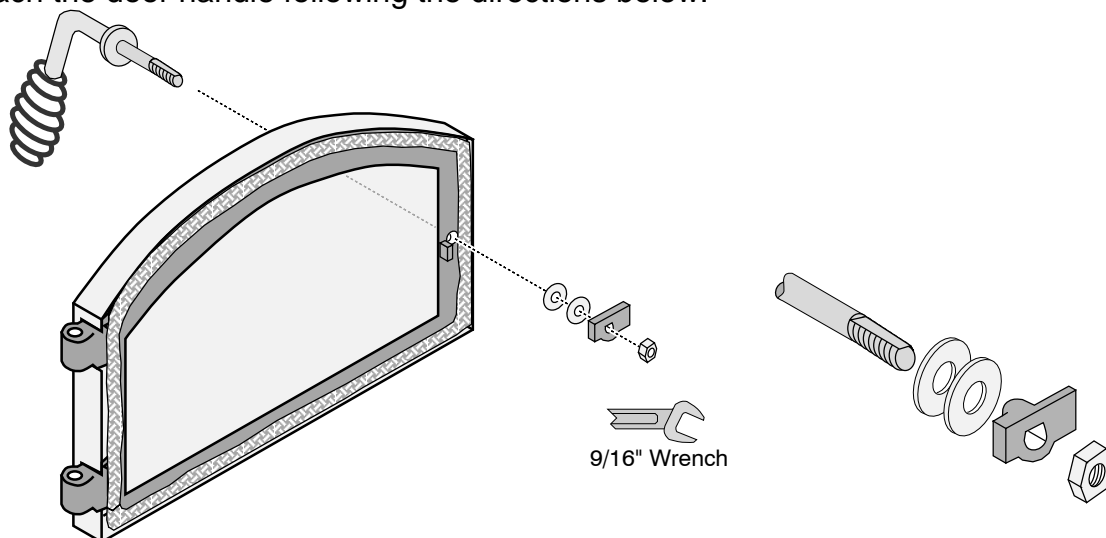
**TRAVIS INDUSTRIES  
HOUSE OF FIRE**

4. Make sure the holes in the retainer line up with the holes on the shell then use a 5/16" nutdriver to secure the shell with the two screws. Tighten until the door shell is snug against the retainer (do not over-tighten).

**WARNING: Do not use a power drill or driver to attach the screws. The castings must be properly threaded and not stripped.**



5. Attach the door handle following the directions below.



6. Replace the door on the hinges and latch the door.



# Lopi Freedom Bay Door Shell (With Ashlip Trim)

Black - 99300175

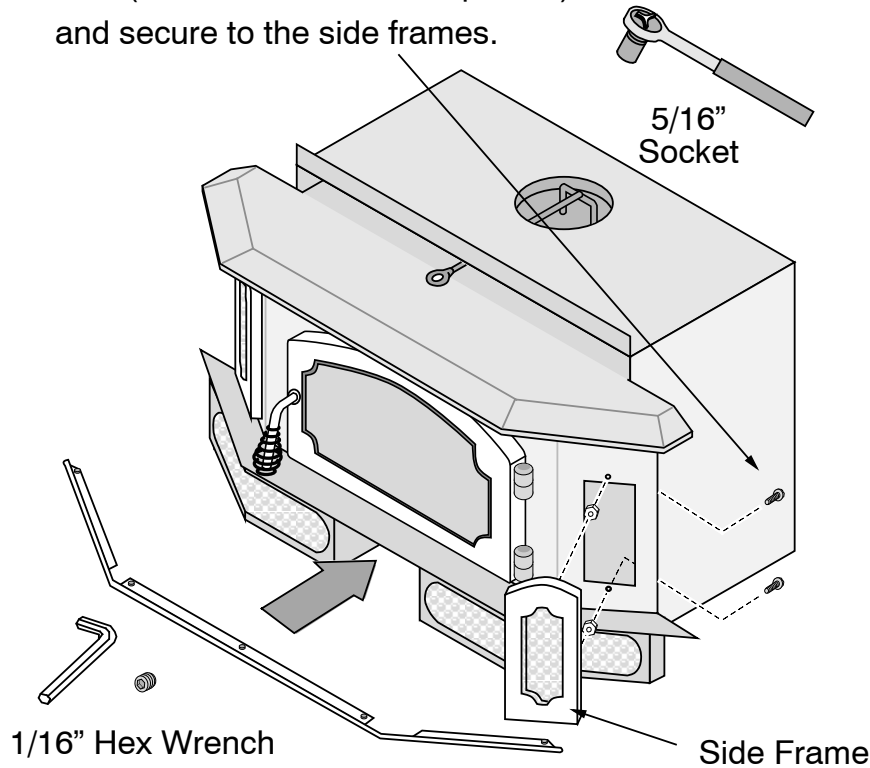
Brass - 99300176

Nickel 99300179

**TRAVIS INDUSTRIES  
HOUSE OF FIRE**

7. Attach the ashlip trim and side frames following the directions below.

Insert the screws through the face and nuts (the nuts are used as spacers) and secure to the side frames.



Slide the ashlip trim into place then tighten the five set screws on the bottom of the ashlip to secure.

## **Cleaning Instructions**

**Make sure the stove or fireplace insert has fully cooled prior to cleaning.**

### **Black Doors**

Black doors only require dusting. Wood stove touch-up paint may be used to improve the surface.

### **Brass Doors**

The solid brass doors should be cleaned with Flitz® or other non-abrasive brass cleaner. Refer to the instructions included with the brass cleaner.

### **Pewter Doors**

Use denatured alcohol or a non-abrasive glass cleaner and a soft cloth to clean plated surfaces.

### **Anodized Trim**

The anodized trim only requires dusting. If further cleaning is required, use denatured alcohol or a non-abrasive glass cleaner and a soft cloth.