



CORNER INSTALL KIT— CK-16-1

(For use with Solas-Nua SL-16N & P only)

When installing the Solas-Nua using this Corner Install Kit, you will need to refer to both these instructions and the installation instructions supplied with the fireplace.

NOTE: A 12" straight section of Direct Vent Pipe will be required to complete the corner installation.

STEP 1: Having decided on a location for the corner installation, use the right angled wall panel as a template and mark the location of the 9 mounting holes. Then decide which wall the vent and gas inlet will penetrate and mark the locations of the Vent outlet hole and Gas inlet hole. Cut the vent outlet hole and gas inlet hole (refer also to page 18 of the Solas-Nua Owners Manual). Pre-drill the 9 lag bolt holes with a 5/32" diameter drill. Be sure that there is solid wood at each mounting location. If not, the wall should be reconstructed to provide the needed support.

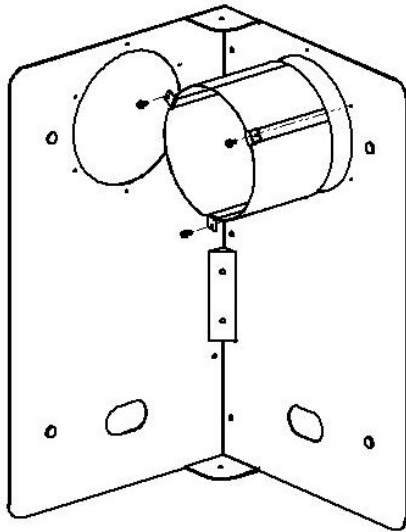


Fig. 1

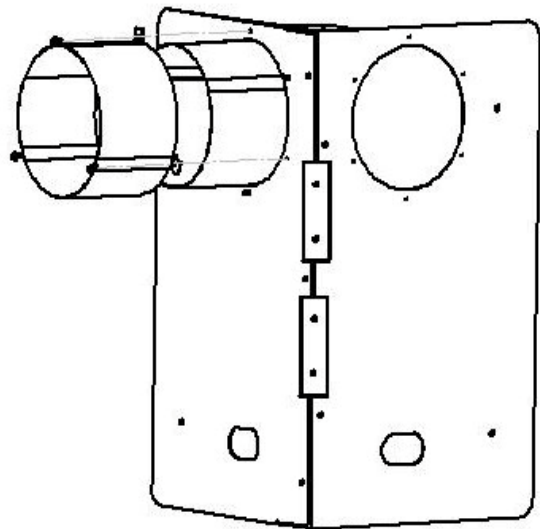


Fig. 2

STEP 2: Attach the inner and outer telescoping vent pass through heat-shields to the wall plate as shown in Fig. 1 & 2. The vent pass through heat-shields are to be installed where the vent passes through the first adjacent wall to the left or right of the corner install kit.

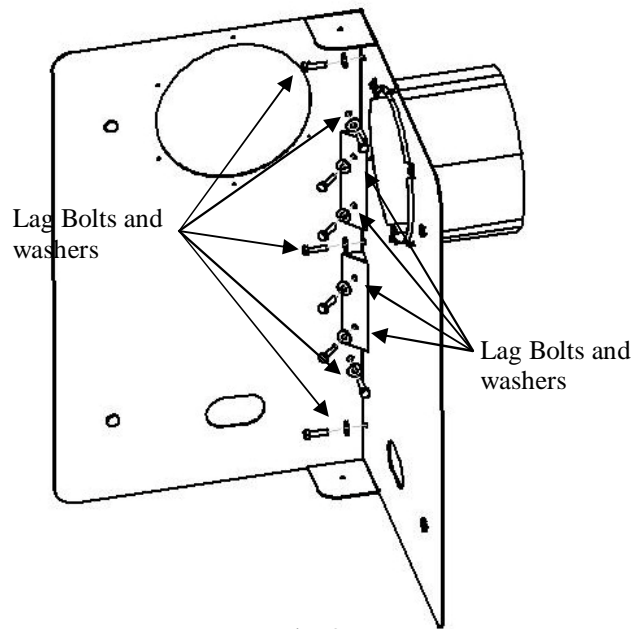


Fig. 3

STEP 3: Attach the wall plate to the wall with the pass through heat-shields in place, and fasten to the wall using the 9 lag bolts provided. See Fig. 3.

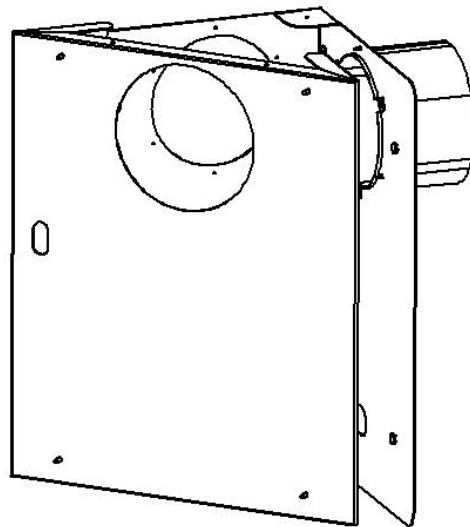


Fig. 4

Step 4: Having secured the wall plate to the wall fit the diagonal mounting plate as shown in Fig. 4. Please ensure that all four mounting pins are fully engaged in the 4 keyway slots.

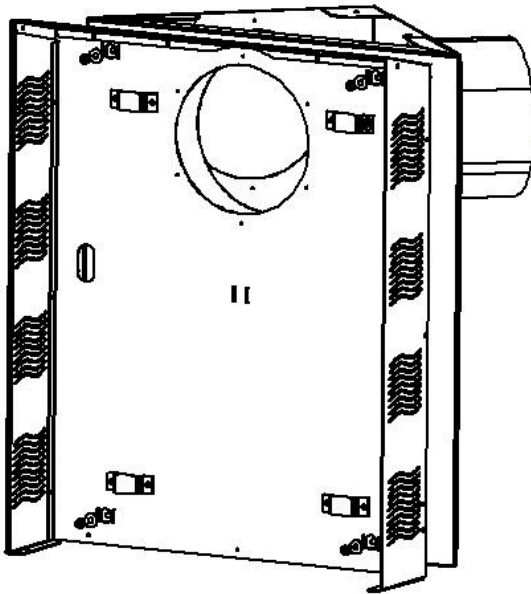


Fig. 5

STEP 5: Attach the top, left and right decorative panels to the fireplace mounting plate. These items came with your fireplace unit. Then attach the mounting plate (with three outer panels attached) to the corner wall mount unit and fasten in place with 4 lock nuts and washers. See Fig. 5.

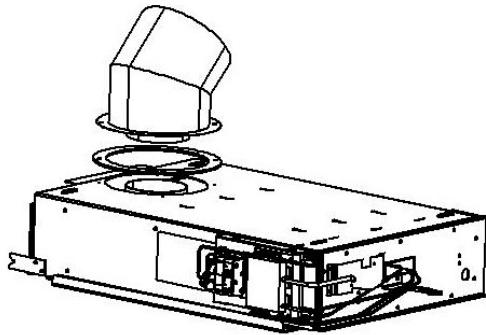


Fig. 6

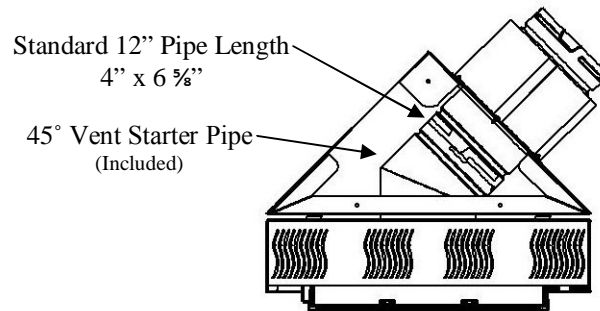


Fig. 7

STEP 6: Fit the custom 45° vent starter pipe supplied with the Corner Install Kit to the Solas-Nua Fireplace **before** mounting the fireplace to the wall mount.

Mount the unit on the wall mount and complete the installation as described in the installation instructions supplied with the fireplace.

Once the installation is complete, fit the top and bottom corner cover plates to the wall mounting unit using the screws provided.