

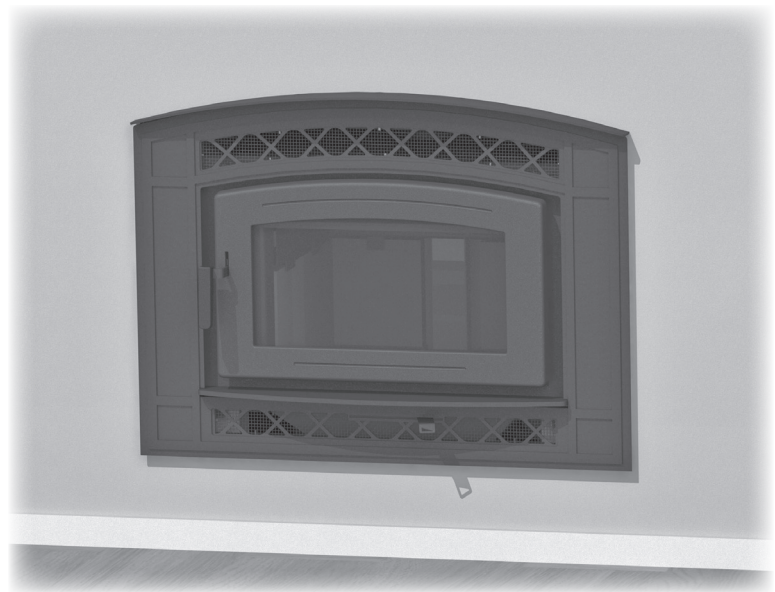
**IMPORTANT:
THESE INSTRUCTIONS ARE TO
REMAIN WITH THE HOMEOWNER.
PLEASE SAVE THESE INSTRUCTIONS**



SAFETY NOTICE

If this stove is not properly installed, a house fire may result. For your safety, follow the installation instructions. Contact local building or fire officials about restrictions and installation inspection requirements in your area.

INSTALLATION INSTRUCTIONS



FP30 ARCH CRAFTSMAN SURROUND

**For use only on MODEL:
FP30AR Series B**



Visit www.pacificenergy.net for the most up-to-date version of this manual

TABLE OF CONTENTS

SAFETY NOTICE:	3
CLEARANCES	4
ASSEMBLY - INSTALLATION	6
Fireplace Installation into the Chase	6
Removing the Upper and Lower Grill assemblies:.....	6
Mounting the Side Brackets.....	6
Attaching the front wall Board.	7
CHASE INLET	8
Installing the Top Brow Mount and Upper Grill	9
Attaching the lower grill	10
DECORATIVE FINISH ON THE FRONT	11
Raised Hearth	11
INSTALLING THE FRONT	12
PARTS	13

IMPORTANT READING

This Accessory Face can only be used on an FP 30 ARCH Series B Wood Fireplace.

This manual is to be used in with your ***FP 30 AR Series B Owners Manual***.

This manual covers the clearances, assembly and installation specific to this optional surround. Installation of the fireplace into the chase and venting is covered in the ***FP 30 AR Series B Owners Manual***, and must be followed for safe operation. This manual supersedes any clearances or requirements for chase air inlet written in the FP30 AR series B manual.

This Installation requires the use of a chase air inlet to supplement the air required for both natural and forced convection through the unit.

The Top Brow Mount and Side Brackets must be in place before placing the non-combustible board on the front of the fireplace.

WE STRONGLY RECOMMEND THAT SMOKE DETECTORS BE INSTALLED.

You may notice that your smoke detector goes off shortly after fireplace installation. This may be due to the initial curing of stove paint or fumes caused by accidentally leaving the fire door open. Do not disconnect the detectors. This Fireplace is not designed to be operated with the door open. Open the door for loading only.


SAFETY NOTICE:

If this stove is not properly installed, a house fire may result. For your safety, follow the installation instructions. Contact local building or fire officials about restrictions and installation inspection requirements in your area.

Read this entire manual and the FP30 AR Series B Owners Manual before you install and use your new room heater. Failure to follow the instructions in this manual and those in the FP30 AR Series B Owners Manual, may result in property damage, bodily injury, or even death.



WARNING



**HOT GLASS WILL CAUSE
BURNS.**

**DO NOT TOUCH GLASS UNTIL
COOLED.**

**NEVER ALLOW CHILDREN TO
TOUCH GLASS.**

CLEARANCES

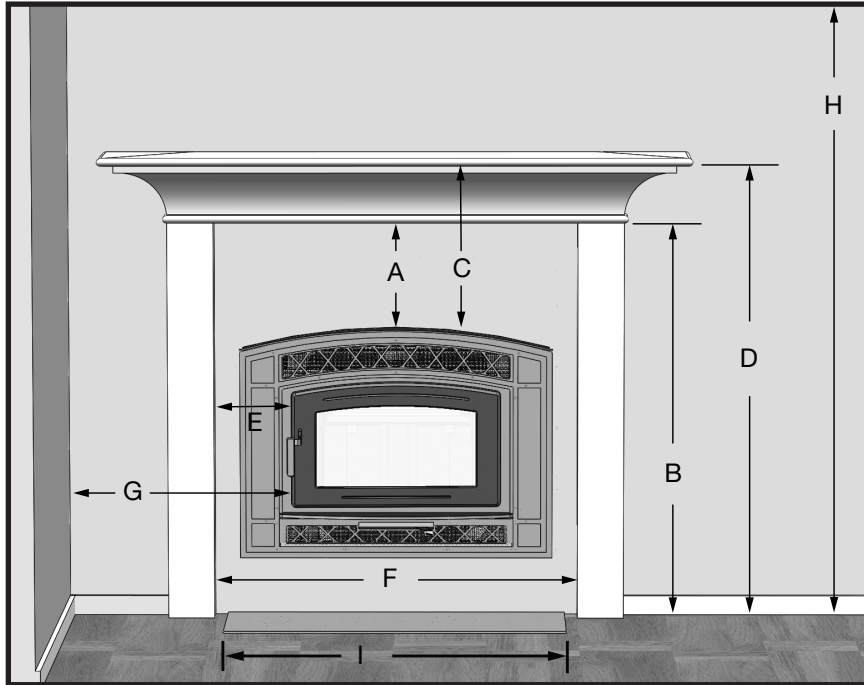


Figure 1: FP30.Body B Arch Surround - Clearance.

Fireplace Clearances (Figure 1)

A	Minimum distance from top of the Arch to 4" [100mm] deep combustible mantel	14" (355mm)
B	Minimum distance from base of the fireplace to 4" [100mm] deep combustible mantel	51 3/4" (1.315m)
C	Minimum distance from top of the Arch to 12" [305mm] deep combustible mantel	22" (560mm)
D	Minimum distance from base of the fireplace to 12" [305mm] deep combustible mantel	59 3/4" (1.52m)
E	Minimum distance from the sides of the fireplace door to Mantle Pillars/Legs (max. 3 1/2" [90mm]deep)	10" (255mm)
F	Minimum distance between the Mantle Pillars/Legs (max. 3 1/2" [90mm]deep)	47 1/2" (1.205m)
G	Minimum distance from a Side Wall to the side of the fireplace door	29" (735mm)
H	Minimum distance from the base of the fireplace to the ceiling	84" (2.135m)
**	Minimum depth of (UL1618 Class 1) non-combustible Ember Protection from the front of the fireplace	18" (460mm)
L	Minimum width of (UL1618 Class 1) Ember Protection: In Canada :In U.S.A.	58" (1.47m) 39"

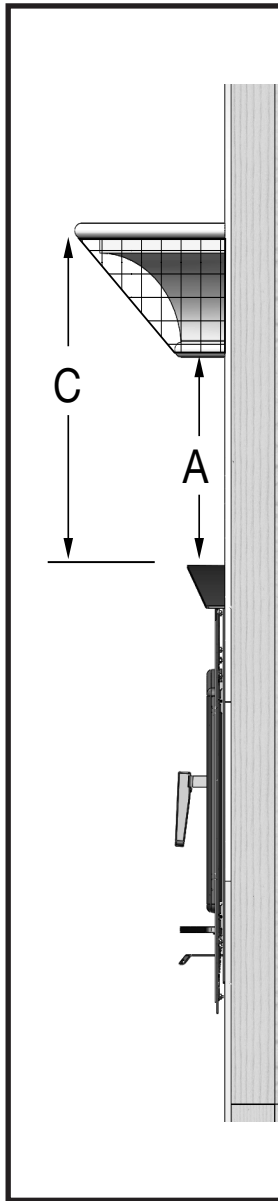


Figure 2: Mantel clearances.

Graduated Mantle (Figure 1b)

Depth	Height from top of arch	Height from bottom of unit
4"(102mm)	14"(355mm) (A)	51 3/4"(1.315m) (B)
5"(127mm)		52 3/4"(1.34m)
6"(150mm)	16"(406mm)	53 3/4"(1.365m)
7"(178mm)		54 3/4"(1.391m)
8"(203mm)	18"(457mm)	55 3/4"(1.416m)
9"(229mm)		56 3/4"(1.441m)
10"(254mm)	20"(508mm)	57 3/4"(1.467m)
11"(279mm)		58" 3/4"(1.492m)
12"(305mm)	22"(560mm) (C)	59 3/4"(1.518m) (D)

ASSEMBLY - INSTALLATION

Fireplace Installation into the Chase

The Fireplace must be installed into the Chase and vented as per the instructions in the FP30 AR (Arch) *Instruction Manual*. Use these instructions to Install the Craftsman Front mounting brackets and the Non-Combustible wall board.

Removing the Upper and Lower Grill assemblies:

- Remove the Upper and Lower Louver Assemblies by removing the mounting screws located on both sides, inside the upper and lower grills using a 5/16" nut driver (Figure 3).
- Remove both grills. They will not be reused.

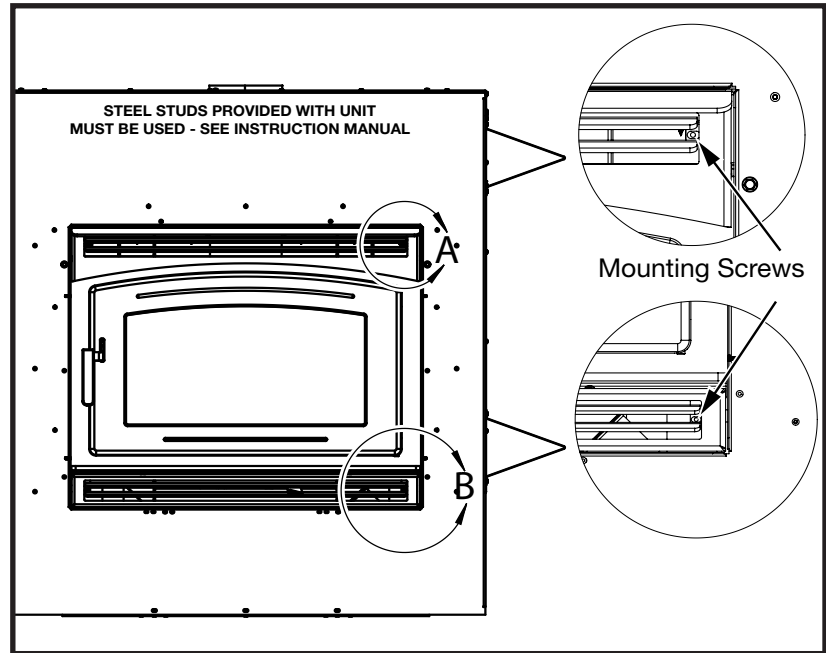


Figure 3: FP30.Body B Arch Surround.

Mounting the Side Brackets

1. Drill out the top rivet and through into the firebox front flange, using a 7/32" drill bit.
2. Align the side bracket over the two remaining rivet heads, centering the holes.
3. Install one of the 1/4-20 thread cutting screws through the large hole in the bracket and into the firebox front flange. Do not tighten completely.
4. Using (5) #8 self-drilling screws, fasten the Side Bracket to the fireplace front using the holes provided in the bracket.
5. Gently tighten all screws
6. Repeat the process on the other side.

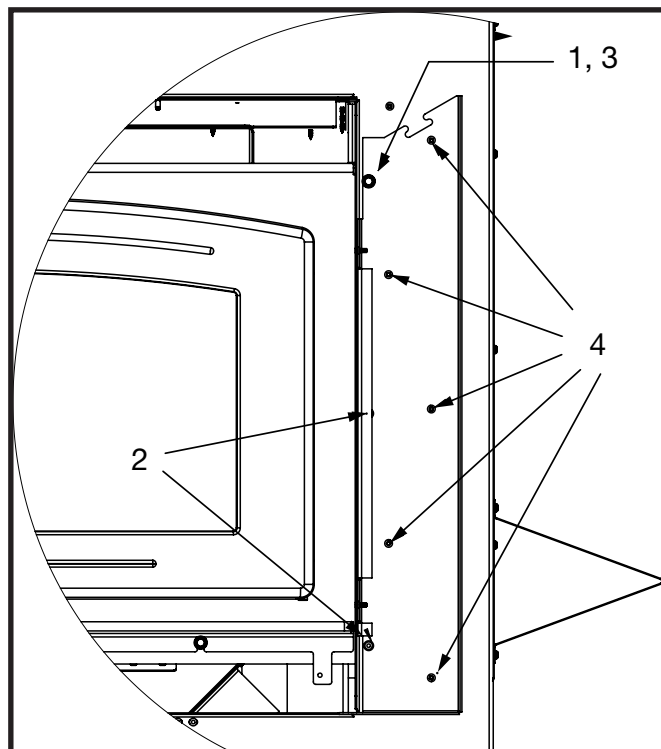


Figure 4: FP30 Craftsman side bracket screws.

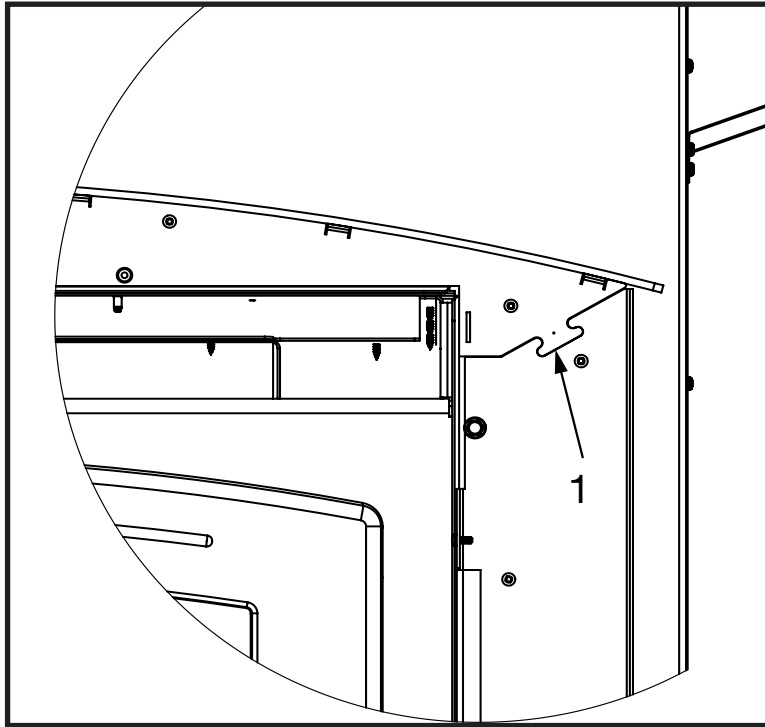


Figure 5: FP30 Craftsman Top Brow tab.

Attaching the front wall Board.

1. Dry fit and Mark the fireplace by Inserting the tabs located on each end of the Top Brow Mount into the corresponding cutout in the side brackets.

 - Ensure the top and sides are flush against the fireplace. The clearance holes for the rivets should be over the rivets.

2. While holding the Top Brow Mount in place, use a pencil to trace the top edge of the brow onto the Fireplace's front panel.
3. Place the brow in a safe place until after the wall board is in place.

The front of the Fireplace and Chase can only be covered using non-combustible board.

Cut the opening (as per the board manufacturers guidelines) using the dimensions and the Arch template provided (Figure 6). Do not place any vertical joints in the wall board above the unit as this may lead to cracking of the joint compound.

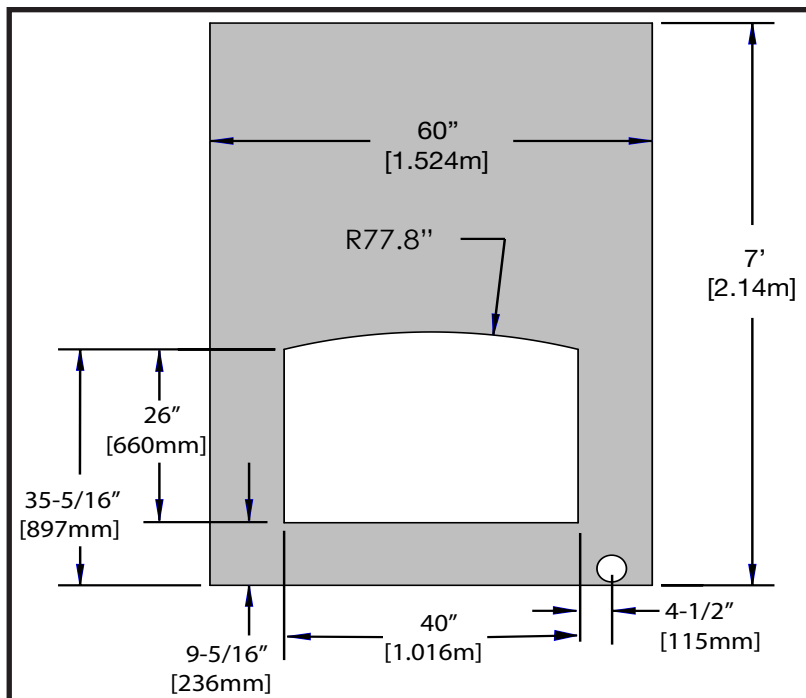


Figure 6: NC board cutout.

NOTE: the dimensions shown here are from the bottom of the unit. If the unit is raised, add the height to the bottom dimensions.

4. Anchor the boards to the fireplace and studs following the board manufacturers guidelines for drilling holes, screw type and spacing.

 - Make sure you can see the pencil line for the Brow as this will mean you have enough clearance to mount the Top Brow.

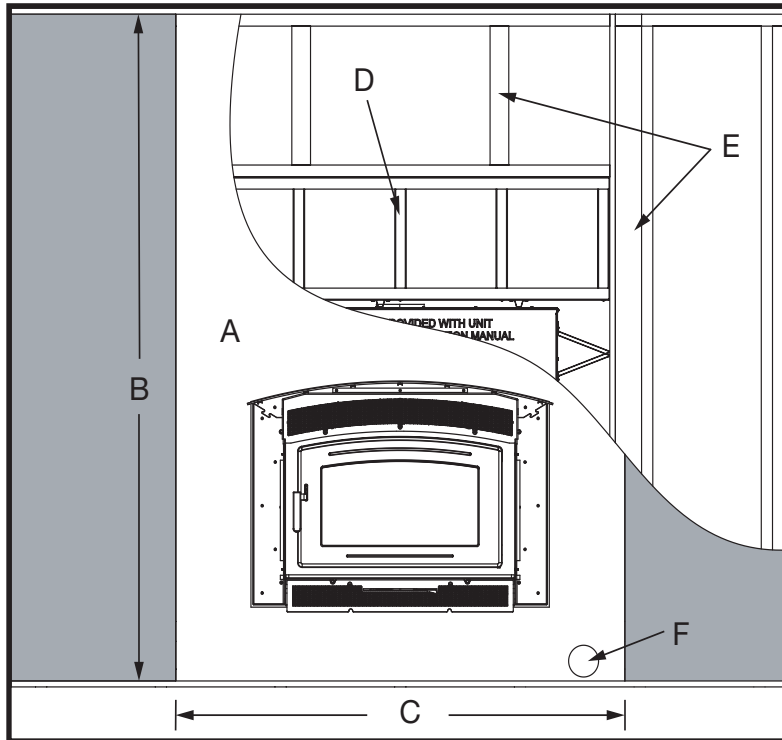


Figure 7: FP30 Installed 3.

Dimensions to note when installing the non-combustible wall board

A	Non-combustible wall board and all decorative facing materials.	
B	Minimum height from base of the fireplace covered by non-combustible wall board	84" (2.135m)
C	Minimum width of non-combustible wall board covering front of unit.	60" (1.525m)
D	Supplied steel stud wall section.	
E	Combustible stud framing.	
F	Chase air intake - locate on front between unit and chase side wall if the chase front is flush with wall. (see Figure 5 for distance from opening).	Min. 16 sq." (100 cm ²)
F	Chase air intake - Can be located on the side, back or underneath the chase, as long as that inlet is drawing air from inside the house.	Min. 16 sq." (100 cm ²)

CHASE INLET

When the Craftsman Arched Front is installed on a FP 30 AR Series B Fireplace, the chase requires **16sq.in. [100cm²]** of chase inlet air. This air helps support the fireplace's convection airflow and is separate from the Combustion Intake air. The duct doesn't have to be round or a single inlet. The requirement is that the total inlet area must be equal to 16sq.in. or greater.

This air must enter the chase no higher than 12" [305mm] from the bottom of the fireplace. And can be placed on the front (off to the side of the unit (Figure 6 on page 7) or on the sides or back of the chase if it protrudes into the room. Air can be drawn from under the chase if that space is sealed within the house envelope. The air must come from inside the house, preferably the room the fireplace is installed in.

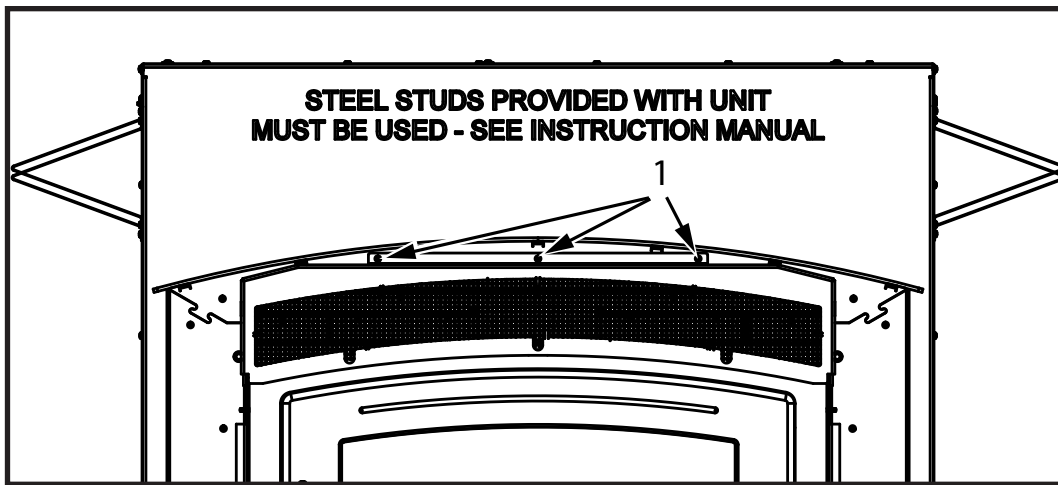


Figure 8: FP30 Craftsman Top Grill mounting screws.

Installing the Top Brow Mount and Upper Grill

1. Clean any debris off of the fireplace front before placing the Top Brow Mount. Insert the tabs located on each end of the top brow mount into the corresponding cutout in the side brackets. Ensure the top and sides are flush. The clearance holes for the rivets should be over the rivets. Secure the mount on both ends. Using a self drilling screw, attach through the holes provided.
2. Attach the Upper Grill by screwing three (3) #8 self drilling screws through the holes in the Grill as well as the holes in the Top Brow Mount into the fireplace front (Figure 8).
3. The joints and gaps in the wall board can now be filled in, using the board manufacturer's recommended joint filler/compound.



Figure 9: FP 30 Craftsman top grill mount.



Figure 10: 2 Slide Lower Grill (2).

Attaching the lower grill

1. Loosen the two bolts holding the Ash Shelf in place using a 3/8:" socket or nut driver. Caution the ash shelf is heavy - Do not completely remove the bolts.
2. Place the lower grill in front of the air control level and place the lever through the slot in the lower grill.
3. Lift up slightly on one end of the Ash Shelf for clearance, hook the grills corresponding mounting slot over the screw head.
4. Repeat the process on the other side. Tighten the screws using a 3/8:" socket or nut driver.

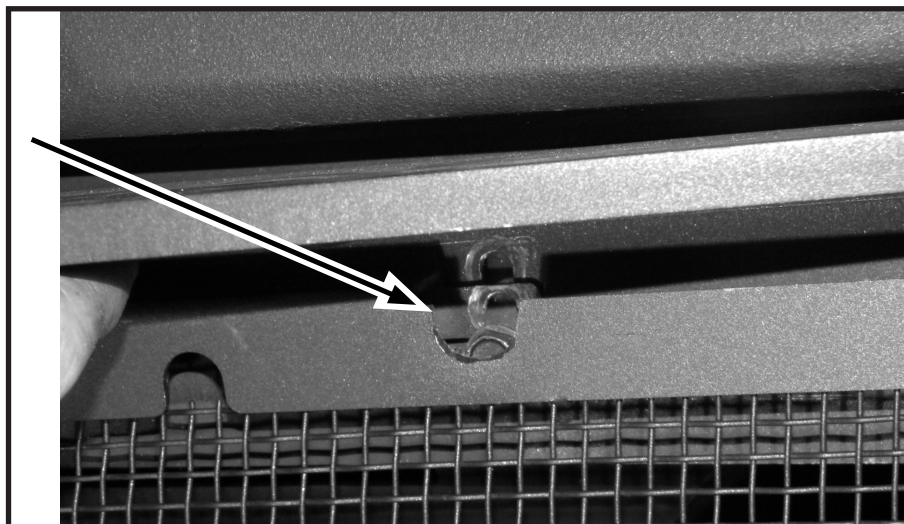


Figure 11: FP30 Craftsman lower grill mount tab.

DECORATIVE FINISH ON THE FRONT

The the area shown around the front (Figure 12) can be only be finished with **non combustible materials only**.

The area within the dashed line next to and below the Side Brackets cannot be thicker than 5/8" including the non-combustible wall board. If there is anything thicker in this area, the decorative front will not be able to mount on the brackets.

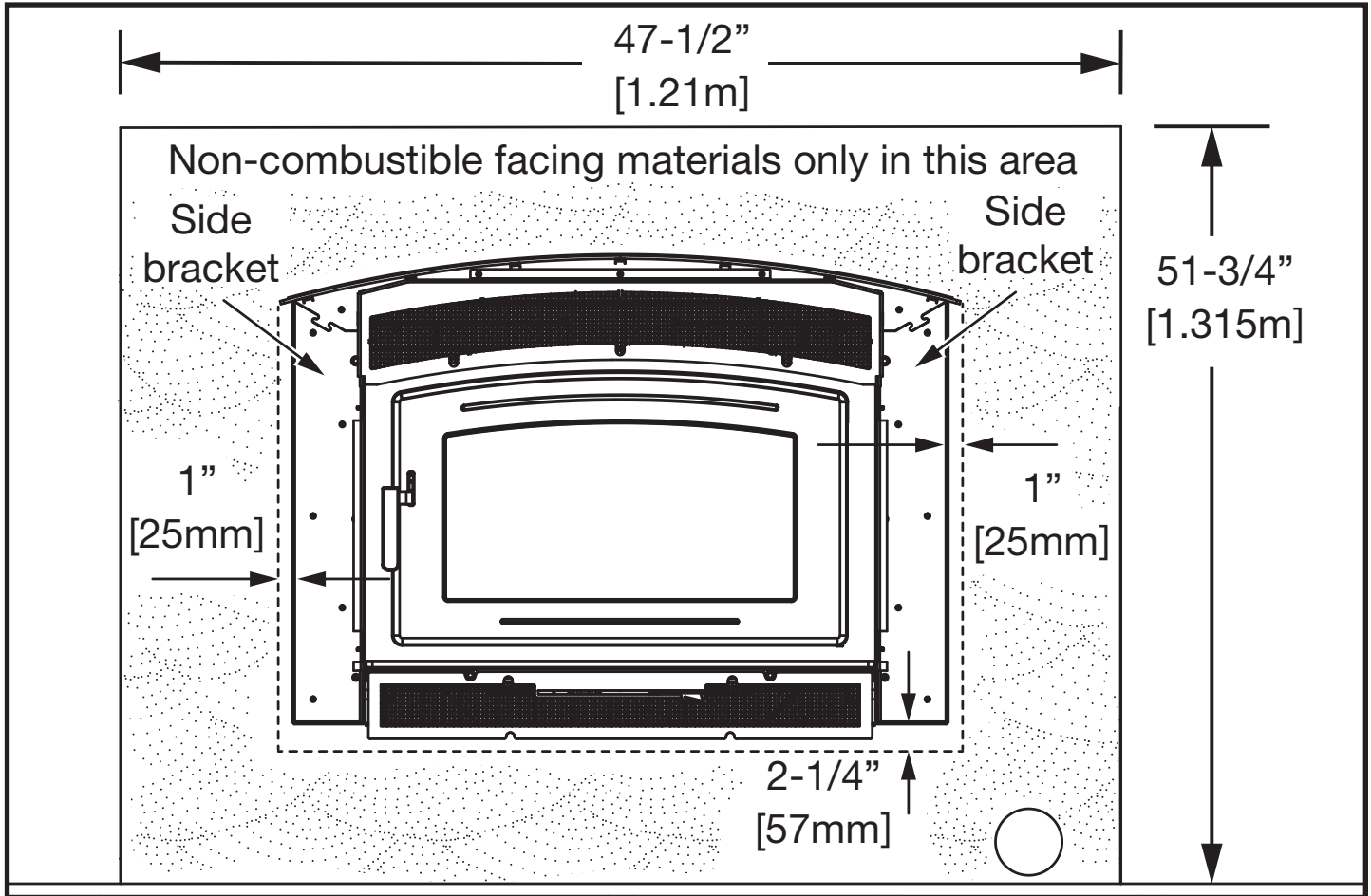


Figure 12: FP30 Craftsman Front border area.

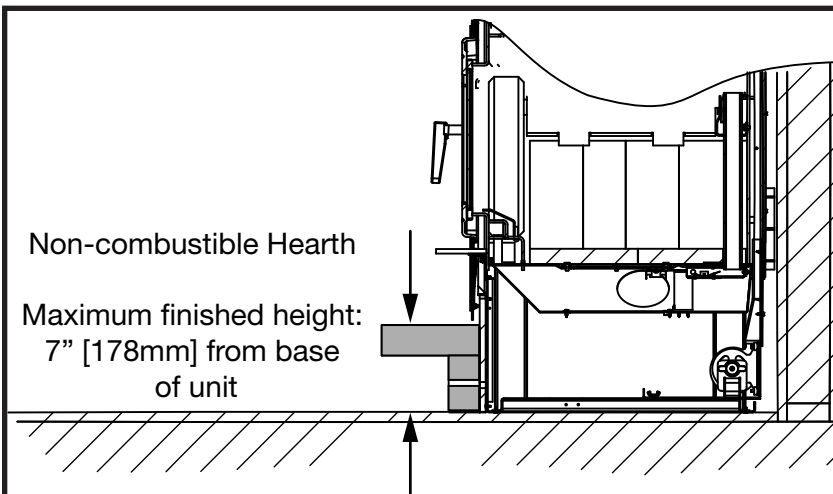


Figure 13: FP30 Craftsman front hearth height.

Raised Hearth

If you are installing a raised hearth with this unit, it must be made entirely of non combustible materials.

The maximum height for the hearth is 7" [178mm] from the base of the unit (Figure 13).

INSTALLING THE FRONT

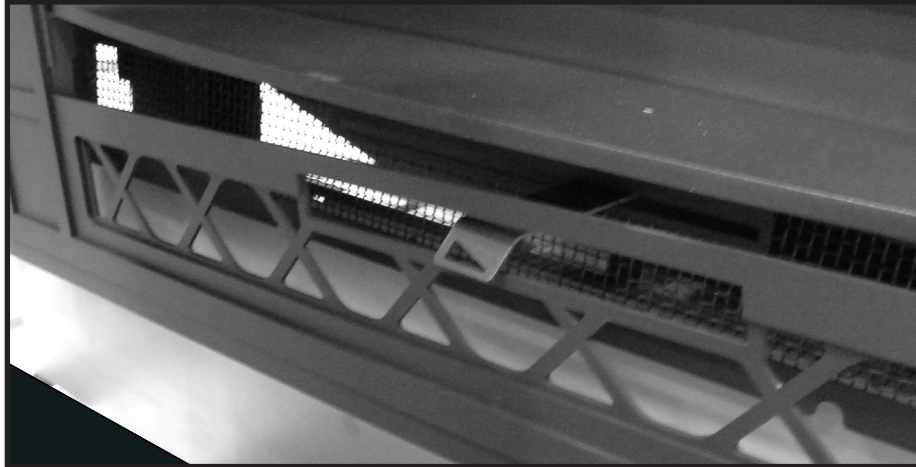


Figure 14: FP30 Craftsman front damper clearance.

To install the front;

1. Align and place the air control lever through the opening in the lower section of the Front Assembly (Figure 14).
 2. Tilt the front up and under the Brow. Lift up and guide the side tabs into the corresponding openings located in the side brackets. Push the Front Assembly into the slots, until it drops slightly - engaging the mounting tab locks.
 3. To lock the Front Assembly in place, install the four black #8 Torx screws provided into the holes located behind the Front Assembly.
- In the door opening behind the Front, there are four screw holes. These may require the door to be removed (open door and lift up on hinge side) to see and access them clearly.

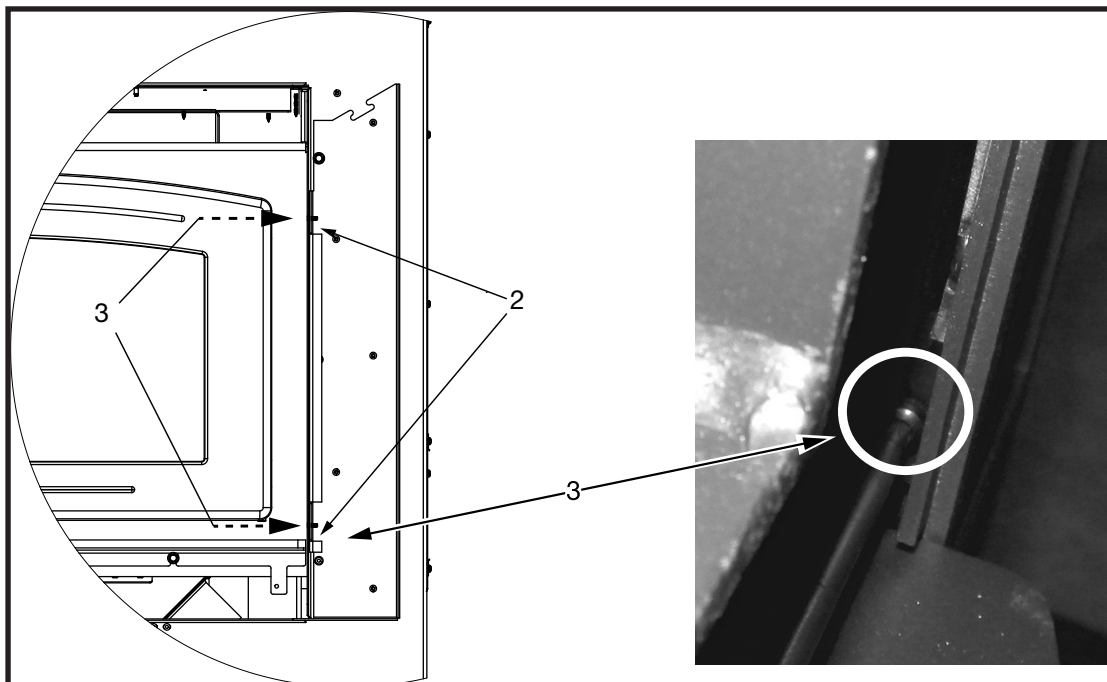
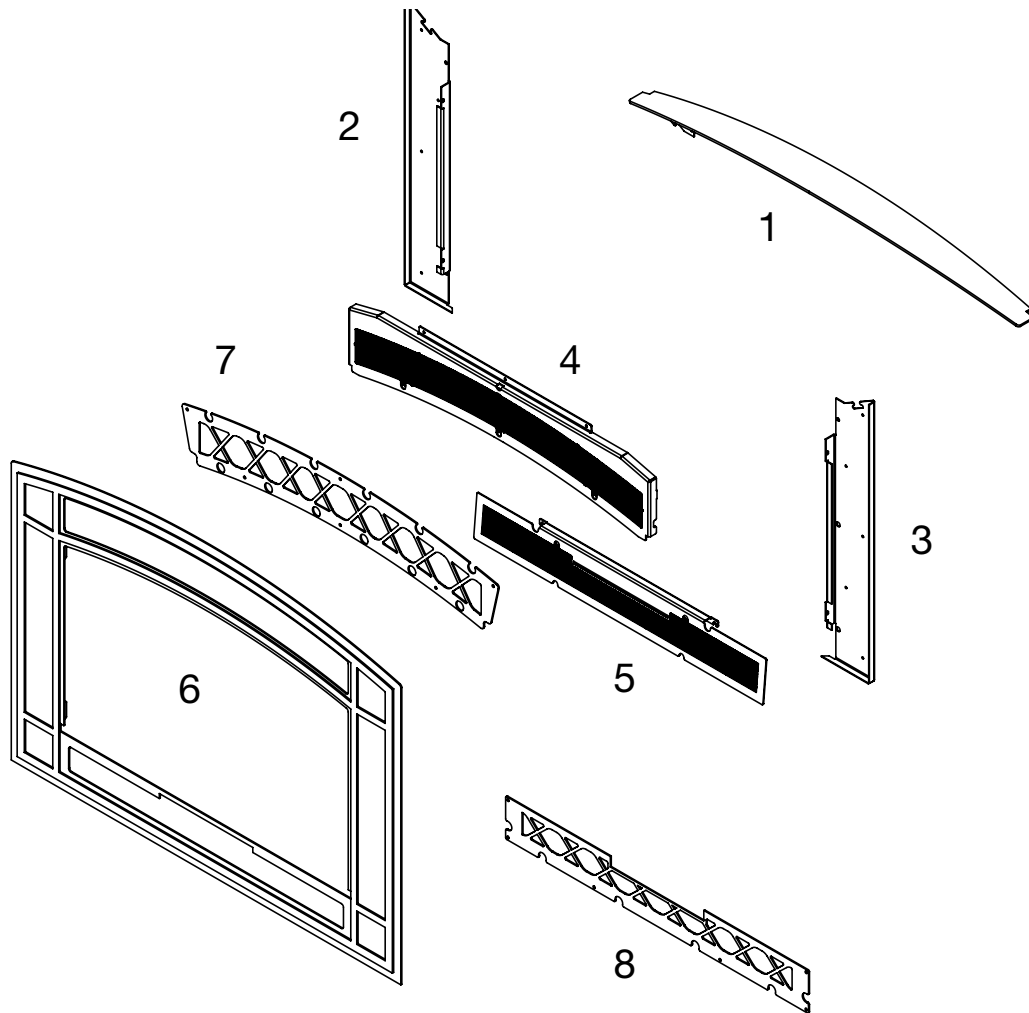


Figure 15: Openings for the front tabs and the position of the screws.

PARTS

1.	FP30.RP777110	Top Brow Mount Assembly	
2.	FP30.RP777113	Left side bracket	
3.	FP30.RP777112	Right side bracket	
4.	FP30.RP777108	Top Grill Assembly	
5.	FP30.RP777106	Lower Grill Assembly	
6.	FP30.RP777101	Front Assembly	
7.	FP30.RP777104	Upper Decorative Panel	
8.	FP30.RP777103	Lower Decorative Panel	
INCLUDED FASTENERS			
		1/4- 20 type F screws	x 2
		#8 self drilling screws	x 15
		#8-32 Black Thread rolling screws	x 4
		7/32" Drill Bit	



© 2017 Copyright Pacific Energy Fireplace Products LTD

Reproduction, adaptation, or translation
without prior written permission is prohibited,
except as allowed under the copyright laws.



PACIFIC ENERGY FIREPLACE PRODUCTS LTD.

2975 Allenby Rd., Duncan, B.C. V9L 6V8
For technical support, please contact your retailer.
Web site: <http://www.pacificenergy.net>